

Subject to change without notice

VALVE AUTOMATION SYSTEMS

www.elo-matic.com
EL-O-MATIC[®]

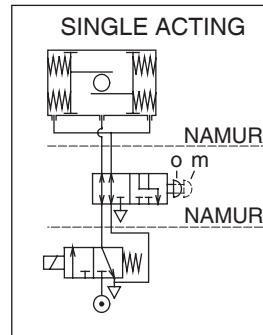
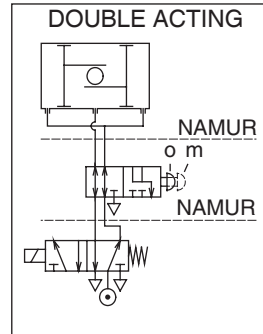
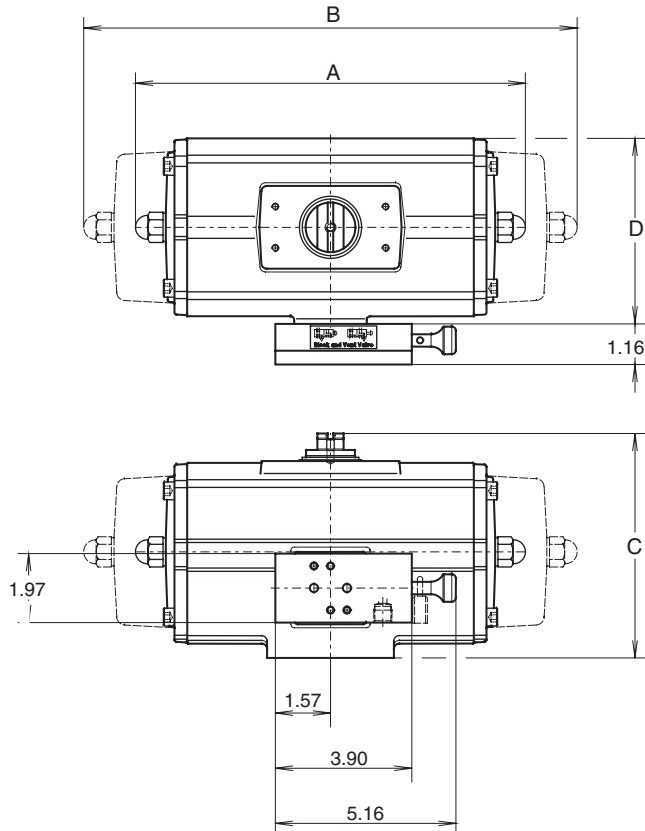
All rights reserved

A 3.130

Nr.:

Date:

March '06



| Dim. in inches | Actuator type | | | | | | | | | | |
|----------------|---------------|------|------|-------|-------|-------|-------|-------|-------|-------|-------|
| | E25 | E40 | E65 | E100 | E200 | E350 | E600 | E950 | E1600 | P2500 | P4000 |
| A PD/ED | 6.26 | 7.09 | 7.83 | 8.70 | 11.14 | 12.01 | 15.24 | 16.69 | 20.31 | 14.88 | 19.76 |
| B PE/ES | 6.77 | 8.03 | 9.80 | 10.51 | 14.17 | 15.24 | 18.78 | 20.35 | 25.08 | 22.44 | 32.83 |
| C | 3.94 | 4.45 | 4.92 | 5.43 | 6.42 | 7.91 | 9.84 | 11.38 | 12.87 | 15.20 | 16.14 |
| D | 3.27 | 3.78 | 4.21 | 4.61 | 5.39 | 7.15 | 8.52 | 9.51 | 10.81 | 14.09 | 15.35 |

Description:

This ancillary provides a local means of blocking the supply air from the actuator at the same time venting all compressed air from both chambers of the actuator. It is for double acting or spring return actuators and should be used on applications where "On site" servicing of the actuator is required and where the actuator needs to be isolated from the control system.

The valve block is fixed directly onto the NAMUR air entry manifold and has a further NAMUR interface so that a suitable solenoid valve may be directly mounted. Use extra long bolts (not supplied); standard bolts delivered with solenoids will be too short.

The "Block and Vent" valve has a two position manual control for switching between the "O" (open) and "M" (manual or maintenance) position. An indicator shows which position is selected.

Operation:

With the control in the "O" position both actuator ports are open to solenoid valve for normal control of the actuator.

With the control in the "M" position both actuator ports are opened to exhaust and supply air from the solenoid valve is blocked off.

Option

A lockable version is available, this can be locked in the "O" position by means of a padlock. Padlock not supplied.

Specification:

- Valve Housing : Aluminum Alloy.
- Finish : Anodized.
- Air pressure : To 120 psi
- Lubrication : Not necessary.
- Temperature : -4°F to 176°F.
- Air Ports : 1/4" NPT
- Air flow: (CV) : 0.93 (US gallon/min.)
- Media : Air, dry or lubricated or non-corrosive gas (not suitable for oxygen service)

Identification:

- Factory Option : "BV" is added to the basic actuator part Nr.
- Example : ED200+BV.

Kit:

- Example : Kit BV

EL-O-MATIC ACTUATOR WITH BLOCK AND VENT VALVE

BV