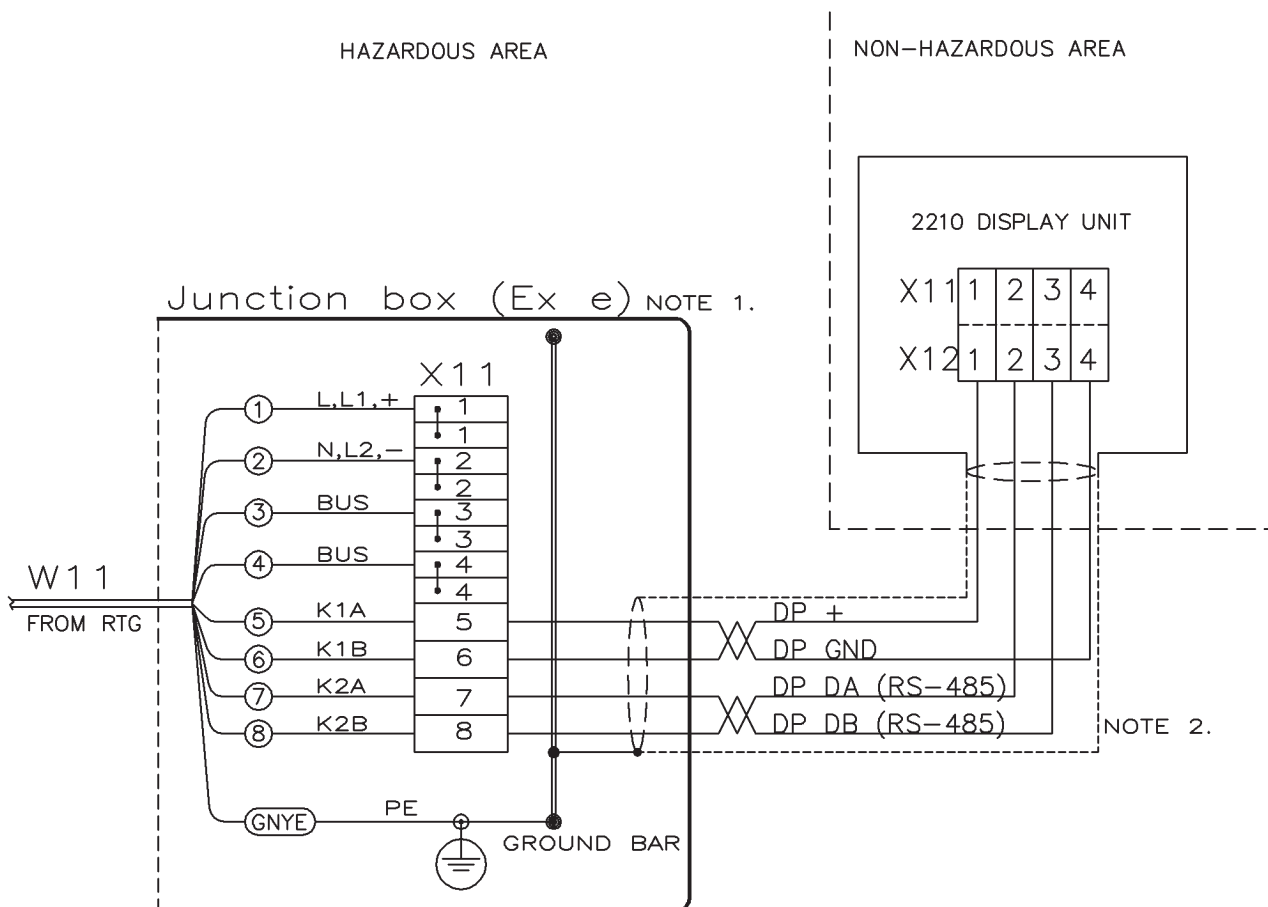


2210 DISPLAY UNIT CONNECTION NOTE 3

Supply & Communications Connections



- ③ ONE OR TWO 2210 DISPLAY UNITS IN NON-IS, NON-UL INSTALLATION. OPTION REC-394 AND PCB ROC/DSC REQUIRED IN TRANSMITTER HEAD.
- ② CABLE: DUAL TWISTED PAIR WITH COMMON SHIELD. MIN. WIRE AREA: AWG 20/0,5 SQMM. MAX. RESISTANCE (ONE WAY): 25 OHM
- ① JBI (Junction Box Integrated) Ex e/ WIRE TERMINAL (X11) AWG 20-12 OR 0.5-4 SQMM. OPTIONAL: 2.5m FLYING LEADS FOR EXTERNAL JUNCTION BOX (CUSTOMER OR SAAB SUPPLY) DEPENDING ON NATIONAL CODE OF PRACTICE.

ISSUED BY GU-RJ	WEEK 0349	PRODUCT CODE REX	FILE ACAD	INSTALLATION DRAWING TITLE			
APPROVED BY GST-CS	WEEK 0349	ORIGINAL DWG NO. 9150070-971	SCALE -	ELECTRICAL INSTALLATION DWG REX 2210 DISPLAY UNIT CONN. W11/X11			
SAAB ROSEMOUNT			1 ST ANGLE 	DOC TYPE 2	DWG NO. 9150070-971	ISSUE 1	SHEET 1/1
			THE COPYRIGHT/OWNERSHIP OF THIS DOCUMENT IS AND WILL REMAIN OURS. THE DOCUMENT MUST NOT BE USED WITHOUT OUR AUTHORIZATION OR BROUGHT TO THE KNOWLEDGE OF A THIRD PARTY. CONTRAVENTION WILL BE PROSECUTED. SAAB MARINE ELECTRONICS AB.				