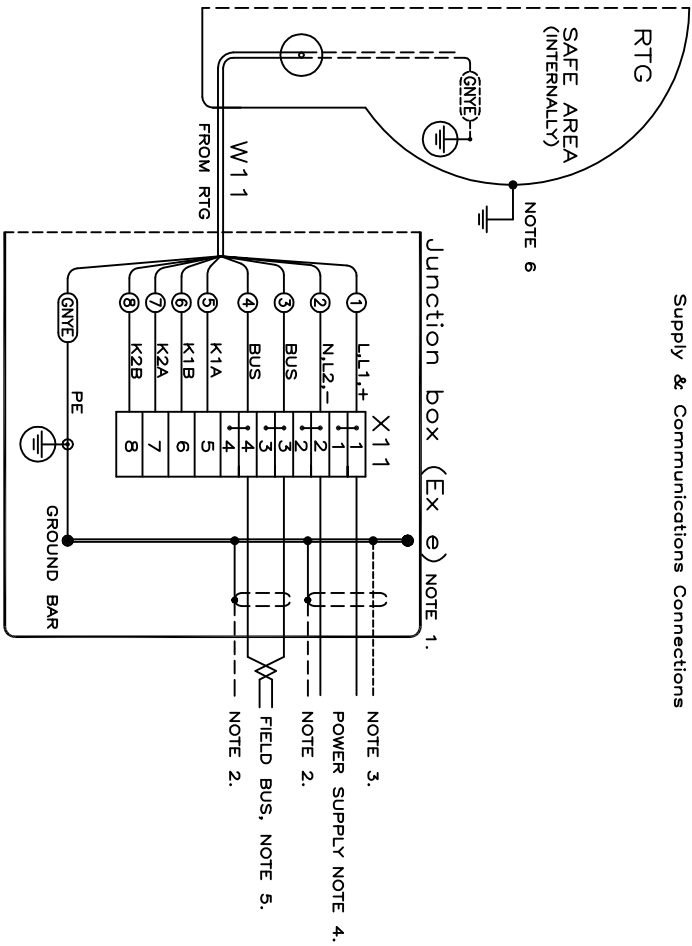


## POWER & TRL2 BUS CONNECTION

Supply & Communications Connections



- ⑥ TANK EARTH CONNECTION MIN 4 SQMM REQUIRED FOR INST. ACC TO CENELEC.
  - ⑤ TRL/2 BUS OR OPTIONAL BUS CONNECTION  
INDIVIDUAL SHIELDING IS MANDATORY WHERE TWO BUSES RUN ALONGSIDE.  
THE TWO WIRES MAY BE INTERCHANGED.  
WIRE AREA/MAX LENGTH: AVG 18/0,8 SQMM: <4000M, AVG 20/0,5 SQMM: <3000M
  - ④ NOMINAL INPUT: 100-240V, 50-60Hz, MAX 80VA  
INSTALLATION CATEGORY III, ACC. TO IEC 664  
IT IS RECOMMENDED TO INSTALL A CIRCUIT BREAKER CLOSE TO THE RTG.  
ALTERNATIVE POWER SUPPLY OPTIONS:  
NOMINAL INPUT: 48-99VDC OR 34-70VAC, 50-60Hz, MAX 80VA  
NOMINAL INPUT: 20-28 VDC MAX 30W.
- EXTERNAL FUSE RATING:**  
SELECT EXTERNAL FUSE RATING WITH RESPECT TO AREA TEMPERATURE CLASSIFICATION (T1-T6) AND MAXIMUM EXPECTED AMBIENT TEMPERATURE. OVERHEATING OF THE INTERNAL TERMINALS DURING OPERATION MAY OCCUR. THE MAXIMUM CURRENT IN THE INTERNAL CURRENT IN A T4 INSTALLATION WITH 70°C AMBIENT IS 7,5A ACC. TO THE LEAD SEAL COMPONENT CERTIFICATE FTB97ATEX1047U
- ③ RTG ENCLOSURE IS EARTHED LOCALLY ON THE TANK FOR EXPLOSION PROTECTION AND ELECTRICAL SAFETY.  
A SEPARATE EARTH CONNECTION TO THE POWER DISTRIBUTION SYSTEM IS REQUIRED BY NATIONAL AUTHORITIES.  
A GROUND LOOP WITH CIRCULATING CURRENT MAY OCCUR.
  - ② SHIELDED CABLE RECOMMENDED FOR VALID EMC PERFORMANCE ACC TO EN 50082-2  
SHIELD CONNECTION ONLY AT ONE END OTHERWISE A GROUND LOOP WITH CIRCULATING CURRENT MAY OCCUR.
  - ① JBI (Junction Box Integrated) Ex e/ WIRE TERMINAL (X1 1) AVG 20-12 OR 0,5-4 SQMM, OPTIONAL: 2,5m FLYING LEADS FOR EXTERNAL JUNCTION BOX (CUSTOMER OR RTR SUPPLY) DEPENDING ON NATIONAL CODE OF PRACTICE.

# Product Discontinued

ISSUED BY		WEEK	PRODUCT CODE	FILE	ACAD	INSTALLATION DRAWING TITLE	SCALE	DOC TYPE	DWG NO.	ISSUE	SHEET
GU-HF		0114	REX			ELECTRICAL INSTALLATION DWG, REX	1:1	2	9150072-930	4	1/1
APPROVED BY		WEEK	ORIGINAL DWG NO.			POWER-TRL2 BUS CONN. W11/X11	1:1				
GU-LN		0114	9150072-930								

**ROSEMOUNT**  
Tank Gauging

1 ST ANGLE

THE COMPANY ASSUMES NO RESPONSIBILITY FOR THE DOCUMENT IF ANY WILL BE USED WITHOUT OUR AUTHORIZATION OR RESORT TO THE KNOWLEDGE OF A THIRD PARTY. COMMUNICATION WILL BE PROSECUTED. ROSEMOUNT TANK GAUGING AB, SWEDEN.