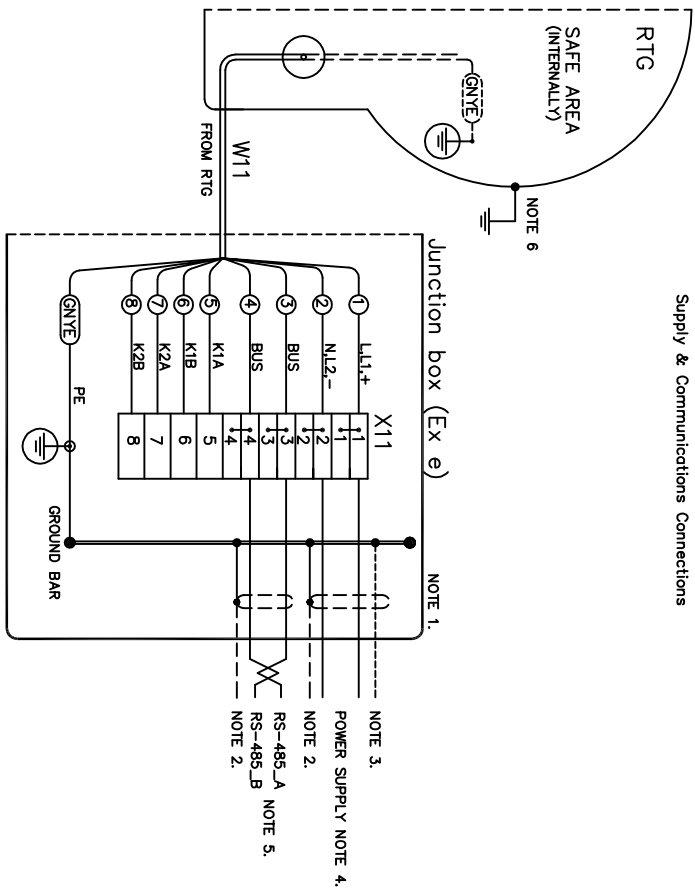


POWER – RS-485 CONNECTION

Supply & Communications Connections



- ⑥ TANK EARTH CONNECTION MIN 4 SQMM REQUIRED FOR INST. ACC TO GENELEC.
- ⑤ CABLE: SINGLE TWISTED, PREFERABLY SHIELDED PAIR. INDIVIDUAL SHIELDING IS MANDATORY WHERE TWO BUSES RUN ALONGSIDE. MIN WIRE AREA: AWG 20/0,5 SQMM
- ④ NOMINAL INPUT: 100–240V, 50–60Hz, MAX 80VA. INSTALLATION CATEGORY III ACC. TO IEC 684. IT IS RECOMMENDED TO INSTALL A CIRCUIT BREAKER CLOSE TO THE RTG. ALTERNATIVE POWER SUPPLY FOR 34–70VAC, 50–60Hz, MAX 80VA. NOMINAL INPUT: 48–58VDC OR 34–70VAC, 50–60Hz, MAX 80VA
- ③ RTG ENCLOSURE IS EARTHED LOCALLY ON THE TANK FOR EXPLOSION PROTECTION AND ELECTRICAL SAFETY. A SEPARATE PROTECTIVE EARTH CONNECTION TO THE POWER DISTRIBUTION CENTRAL IS NOT RECOMMENDED UNLESS REQUIRED BY NATIONAL AUTHORITIES. A GROUND LOOP WITH CIRCULATING CURRENT MAY OCCUR.
- ② SHIELDED CABLE RECOMMENDED FOR VALID EMC PERFORMANCE ACC TO EN 50082-2. SHIELD CONNECTION ONLY AT ONE END OTHERWISE A GROUND LOOP WITH CIRCULATING CURRENT MAY OCCUR.
- ① JBI (Junction Box Integrated) Ex e / WIRE TERMINAL (X11) AWG 20–12 OR 0,5–4 SQMM. OPTIONAL: 25mm FLYING LEADS FOR EXTERNAL JUNCTION BOX (CUSTOMER OR RTR SUPPLY) DEPENDING ON NATIONAL CODE OF PRACTICE.

Product Discontinued

ISSUED BY	WEEK	PRODUCT CODE	FILE	ACAD	INSTALLATION DRAWING TITLE
GU-HF	0243	REX			ELECTRICAL INSTALLATION DWG, REX
APPROVED BY	WEEK	ORIGINAL DWG NO.		SCALE	POWER-RS485 CONNECTION. (W11/X11)
CU-LN	0243	9150072-948			
ROSEMOUNT				1 ST ANGLE	DWG NO.
Tank Gauging				2	9150072-948
				DOC TYPE	ISSUE
					2
					1/1

THE CUSTOMER/USER OF THIS DOCUMENT IS RESPONSIBLE FOR THE PROPER USE OF THIS DOCUMENT. THE ROSEMOUNT NAME MUST NOT BE USED WITHOUT OUR AUTHORIZATION OR SUBJECT TO THE KNOWLEDGE OF A THIRD PARTY. COMMUNICATION WILL BE PROSECUTED. ROSEMOUNT TANK GAUGING AB, SWEDEN.