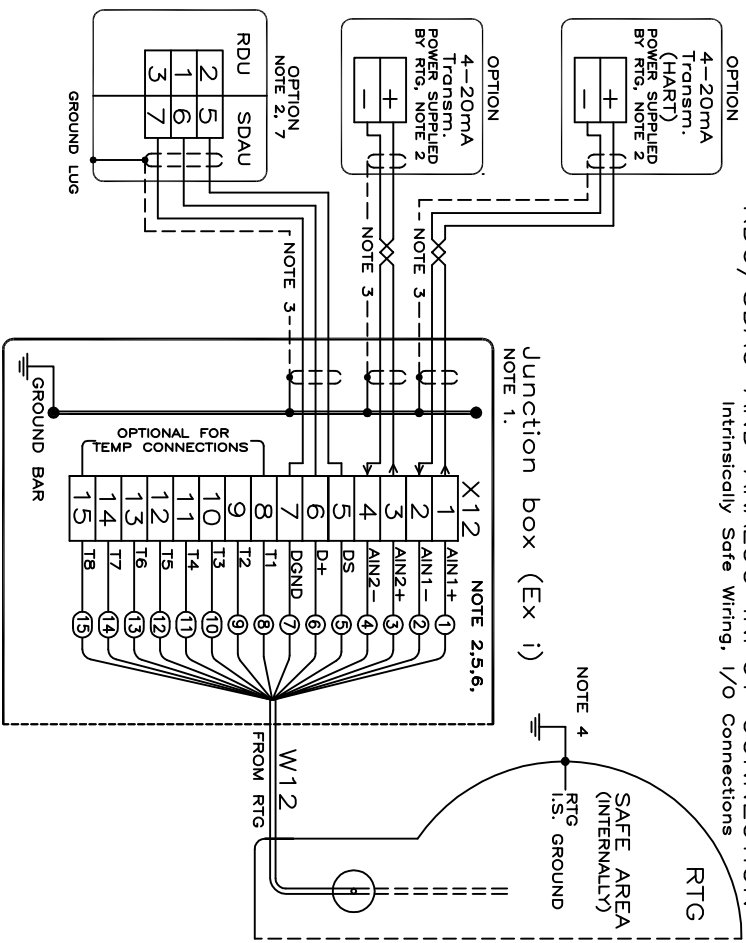


# RDU/SDAU AND ANALOG INPUT CONNECTION

Intrinsically Safe Wiring, I/O Connections



- ⑦ OPTIONAL CONNECTION IS BY MAX 50 M SHIELDED CABLE, MIN AWG 20 OR 0.5 SQMM.
  - ⑧ THE TRANSMITTER INTERFACE CARD (TIC) OPTION CONSISTS OF: TWO IDENTICAL, INTRINSICALLY SAFE SUPPLY CIRCUITS (AIN1+ /AIN2+), AND TWO IDENTICAL, INTRINSICALLY SAFE INPUTS (AIN1-, AIN2-), AND DISPLAY CONNECTIONS. SUPPLIES AND INPUTS ARE GROUND REFERENCED.
- |              | U <sub>M</sub> | P <sub>O</sub> | U <sub>O</sub> | I <sub>O</sub> | C <sub>O</sub> | L <sub>O</sub> |
|--------------|----------------|----------------|----------------|----------------|----------------|----------------|
| AIN1+ /AIN1- | 250V           | 0.6W           | 25.2V          | 96mA           | 0.1µF          | 4mH            |
| AIN2+ /AIN2- | 250V           | 0.6W           | 25.2V          | 96mA           | 0.1µF          | 4mH            |
| DS/D+        | 250V           | 0.67W          | 11.8V          | 271mA          | 1.5µF          | 0.37mH         |
- ⑤ EXTERNAL WIRING CONSISTS OF UP TO FOUR SEPARATE I.S. CIRCUITS, WIRES BELONGING TO DIFFERENT I.S. CIRCUITS MAY SHARE THE SAME CABLE. PROVIDED THEY ARE SEPARATED BY INDIVIDUAL SHIELDS CONNECTED TO GROUND. SEPARATE CABLES MUST BE USED IN INSTALLATIONS ACC. TO CSA.
  - ④ TANK EARTH CONNECTION MIN 4 SQMM REQUIRED FOR INST. ACC TO CENELEC.
  - ③ SHIELDED CABLE RECOMMENDED FOR VALID EMC PERFORMANCE ACC TO EN 50082-2. SHIELD CONNECTION ONLY AT ONE END OTHERWISE A GROUND LOOP WITH CIRCULATING CURRENT MAY OCCUR.
  - ② IF INTRINSIC SAFETY IS REQUIRED FOR ANY ONE OF THE CONNECTED DEVICES, THEN ALL CONNECTED DEVICES MUST BE CERTIFIED INTRINSICALLY SAFE AND COMPLY WITH THE TABLE (NOT 6).
  - ① JBI (Junction Box Integrated) Ex i / WIRE TERMINAL (X12) AWG 28-16 OR 0.08-1.5 SQMM. OPTIONAL: 2.5m FLYING LEADS FOR EXTERNAL JUNCTION BOX (CUSTOMER OR RTR SUPPLY) DEPENDING ON NATIONAL CODE OF PRACTICE.

# Product Discontinued

ISSUED BY	WEEK	PRODUCT CODE	TITLE	ACAD	INSTALLATION DRAWING TITLE
GU-HF	0114	REX			ELECTRICAL INSTALLATION DWG, REX
APPROVED BY	WEEK	ORIGINAL DWG NO.	SCALE		RDU/SDAU & ANALOG INPUT, W12/X12
GU-LN	0114	9150072-940	1:1		
ROSEMOUNT			1 ST ANGLE		
Tank Gauging			DOC TYPE	DWG NO.	ISSUE SHEET
			2	9150072-940	3 1/1

THE USER/INSTALLER OF THIS DOCUMENT IS RESPONSIBLE FOR THE PROPER USE OF THIS DOCUMENT AND SHALL BE RESPONSIBLE FOR THE PROPER USE OF THIS DOCUMENT WITHOUT OUR AUTHORIZATION OR SUBJECT TO THE KNOWLEDGE OF A THIRD PARTY. COMMUNICATION WILL BE PROSECUTED. ROSEMOUNT TANK GAUGING AB, SWEDEN.