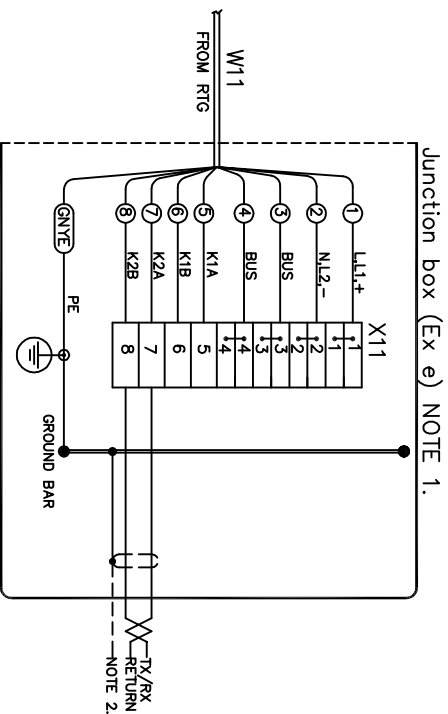


SAKURA / TIC CONNECTION



- ② SHIELDED CABLE RECOMMENDED FOR VALID EMC PERFORMANCE ACC TO EN 50082-2 SHIELD CONNECTION ONLY AT ONE END OTHERWISE A GROUND LOOP WITH CIRCULATING CURRENT MAY OCCUR.
- ① JBI (Junction Box Integrated) Ex. e/ WIRE TERMINAL (X11) AVG 20-12 OR 0.5-4 SQMM. OPTIONAL 2.5m FILING LEADS FOR EXTERNAL JUNCTION BOX (CUSTOMER OR RTR SUPPLY) DEPENDING ON NATIONAL CODE OF PRACTICE.

Product Discontinued

ISSUED BY	WEEK	PRODUCT CODE	FILE	ACAD	INSTALLATION DRAWING TITLE
GU-HF	0251	REX		SCALE	ELECTRICAL INSTALLATION DWG, REX
APPROVED BY	WEEK	ORIGINAL DWG NO.			SAKURA / TIC CONNECTION. (W11/X11)
GU-RJ	0251	9150072-947			
<b>ROSEMOUNT</b>				1 <sup>ST</sup> ANGLE	DWG NO.
Tank Gauging				2	9150072-947
				DOC TYPE	ISSUE SHEET
					4 1/1

THE DESIGN/CONSTRUCTION OF THIS ROSEMOUNT TANK WILL REMAIN OURS. THE ROSEMOUNT NAME MUST NOT BE USED WITHOUT OUR AUTHORIZATION OR SUBJECT TO THE KNOWLEDGE OF A THIRD PARTY. COMMUNICATION WILL BE PROSECUTED. ROSEMOUNT TANK READER AB, SWEDEN.