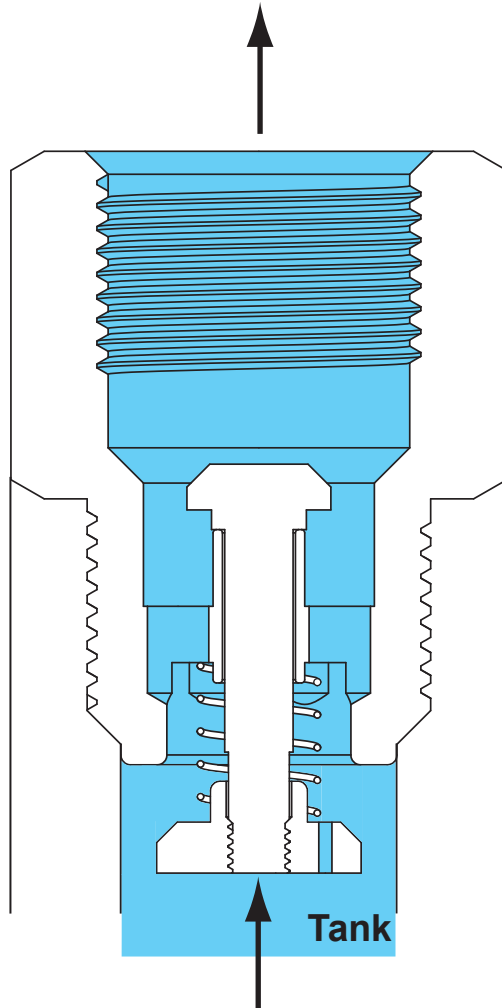
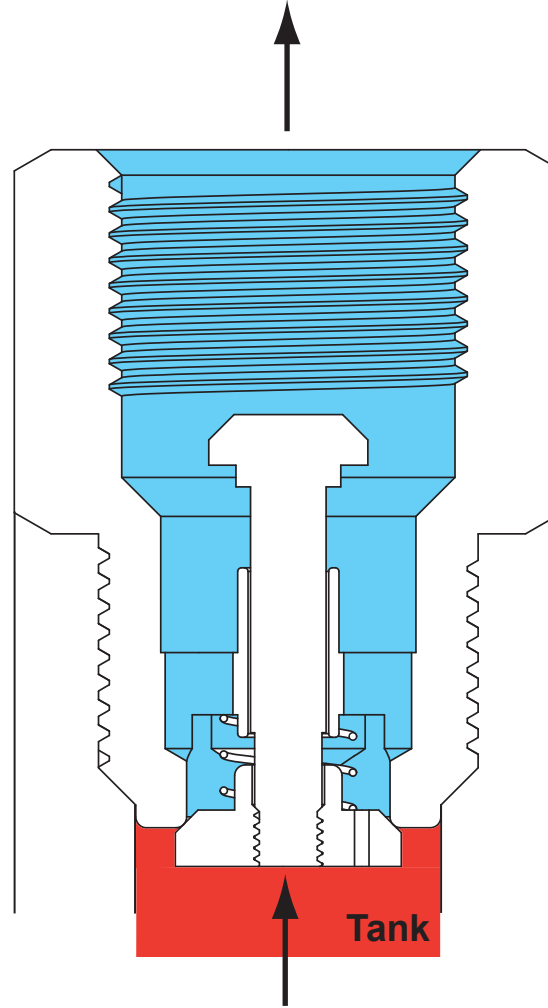


Type F100 Tank Excess Flow Valve

Type F100 Open



Type F100 Closed



INLET PRESSURE
OUTLET PRESSURE



M1079