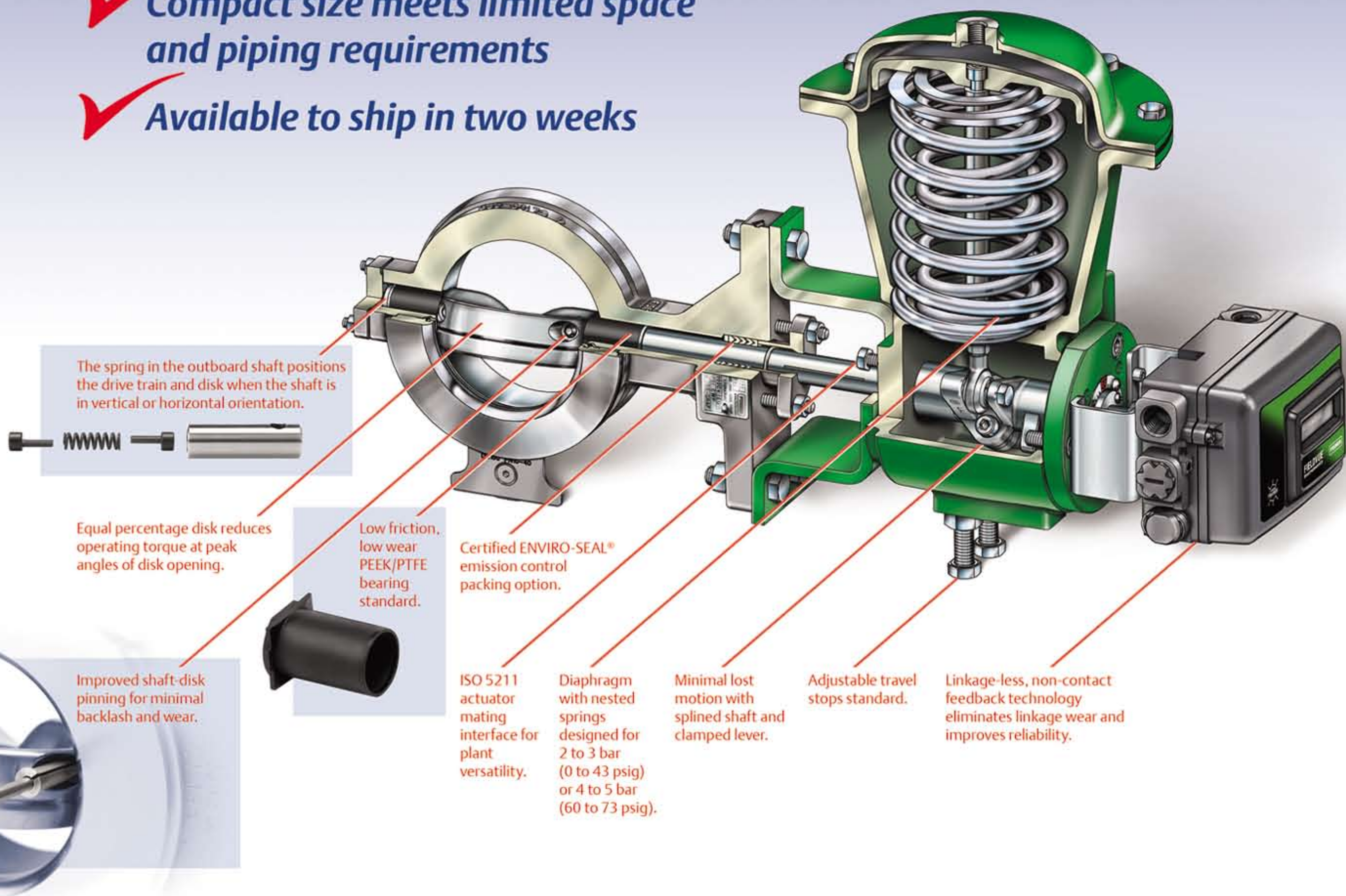


# Fisher® Control-Disk™ Valve

- ✓ **Excellent throttling control in the 15 to 70 percent travel range**
- ✓ **Meets API, ASME, and EN standards, making it suitable for use in all world areas**
- ✓ **Compact size meets limited space and piping requirements**
- ✓ **Available to ship in two weeks**



EMERSON. CONSIDER IT SOLVED.™