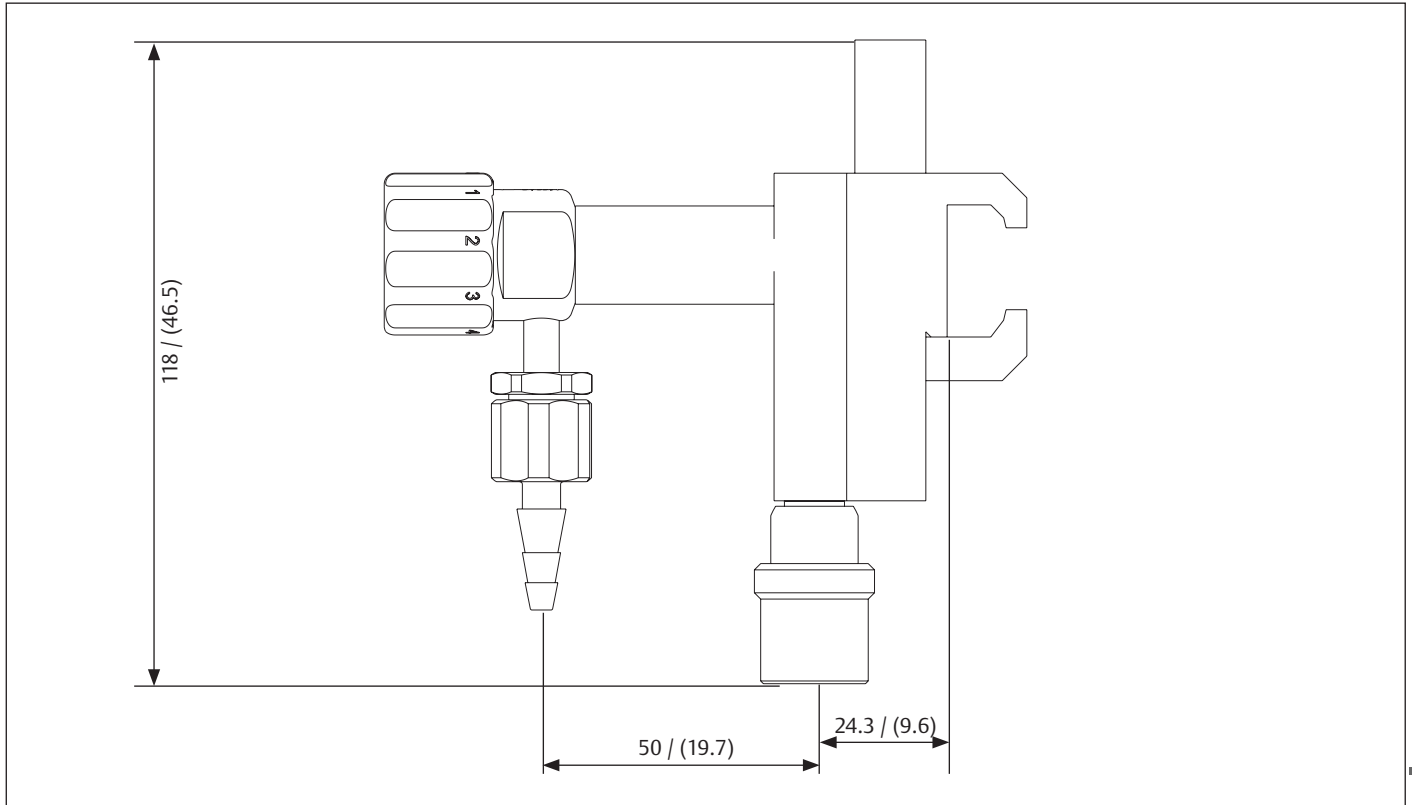


Compact Flowmeter „Flow Switch with clamp“

All dimensions in mm (inch) are approximate data depending on the design



Ordering Information

Example Part Number:

D50518 - 12 I - 46 S 15

BASIC SERIES	GAS	GASLABELLING	PRESSURE BAR / PSIG	INLET CONNECTION	ACCESSORY	FLOW RANGE
D50518	03 = CO ₂ 08 = Air 12 = O ₂ 13 = N ₂ O	N = neutral black I = acc. to ISO 32	3 = 3 / 43.5 4 = 4 / 58.0 - = 5 / 72.5 Standard	75 = ISO 228-1 G 1/4 46 = NIST nach EN 739	- = without S = Hose inlet	04 = Flow Switch 0 - 4 l/min 15 = Flow Switch 0 - 15 l/min

Europe only