

SHAFER™

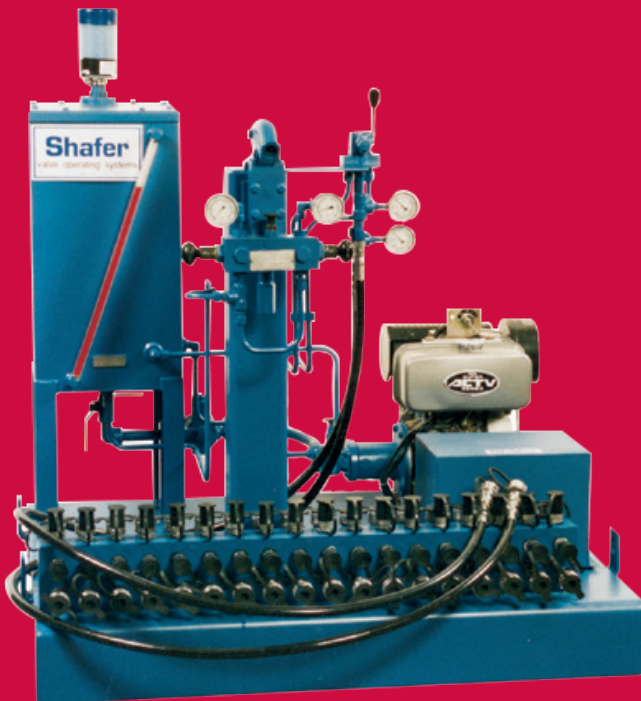
Gasoline Engine Hydraulic Power Unit

This hydraulic power unit provides reliable high pressure hydraulic fluid for powering valve actuators or other hydraulic equipment.

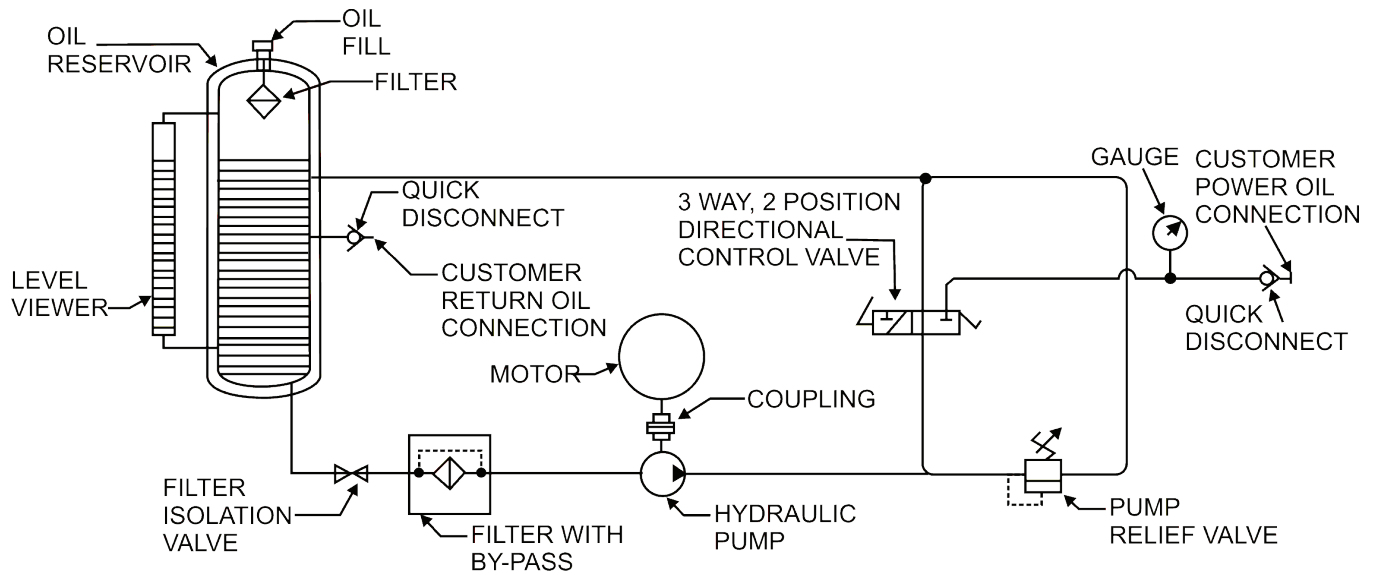
The unit is connected to the valve operator by flexible hydraulic hose and quick disconnect couplings. Smooth, continual, high pressure fluid is used to stroke the valve operator to the desired position.

The two man lift portable unit consists of a quality gasoline engine with spark arresting muffler, coupled to a high pressure hydraulic pump with reservoir and directional control valve.

The smaller units can be relatively lightweight and compact and is easily transported from valve site to valve site in the bed of any light duty utility vehicles.



GASOLINE ENGINE HYDRAULIC POWER UNIT



Emerson

19200 Northwest Freeway
Houston TX 77065
USA

T +1 281 477 4100

F +1 281 477 2809

info.actuationtechnologies@emerson.com

SHAFER™

Bulletin PGP-25-062017

www.emerson.com/shafer


EMERSON™