

# Data sheet

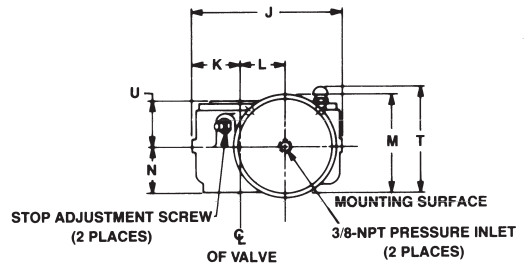
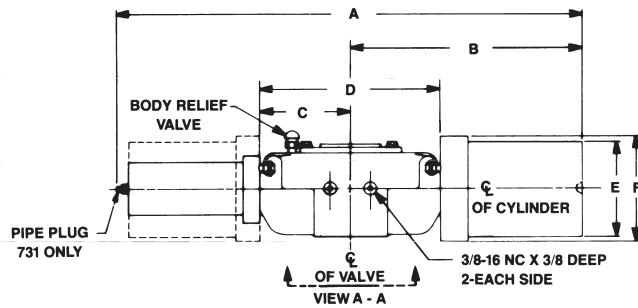
Sheet No.: HPI 3.01 RevB

Date: August 2010

# HD-Series

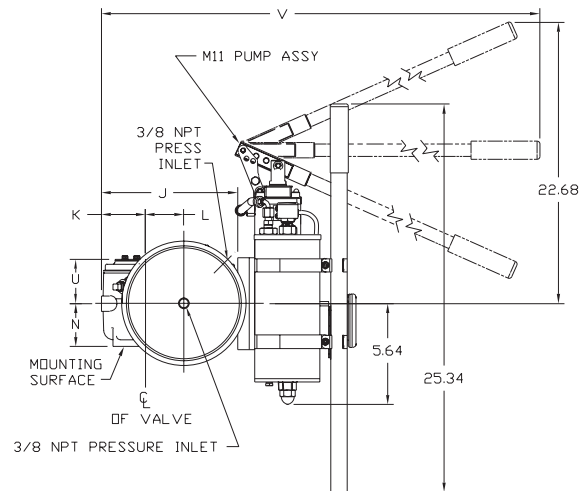
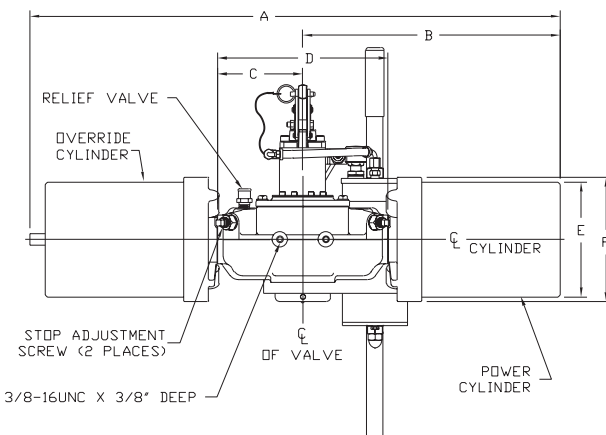
## Dimensions – (Pneumatic) In.

### Double-Acting Actuators



Actuator Model	A	B	C	D	E	F	G	H	J	K	L	M	N	P (±.002)	Q	R	S	T	U	
521	33.19	18.13			5.38	5.97						5.81								
721	33.53	18.47	5.56	11.13	7.50	8.13	3.19	1.59	8.91	2.88	2.50		2.81	2.504	.500-13	.75	5.63	7.63	2.88	
722	36.94																			6.88
731	39.63	22.31	6.81	13.63			4.06	2.03	11.18	3.63	3.38	7.63	3.56	3.250	.750-10	1.00	7.25	8.38	3.75	
732	44.63																			

### Double-Acting with M11 Hydraulic Override



Actuator Model	A	B	C	D	E	F	G	H	J	K	L	N	P	Q	R	S	U	V
521-M11	36.25	16.69	5.56	11.12	5.38	5.97	3.19	1.59	8.91	2.88	2.50	2.81	2.504	.500-13 UNC	.75	5.62	2.88	39.28
721-M11	36.94	16.81			7.50	8.12												
731-M11	44.62	20.62	6.81	13.62			4.06	2.03	11.18	3.62	3.38	3.56	3.250	.750-10 UNC	1.00	7.25	3.75	42.18

Note: Not Certified dimensional drawings. Such drawings available on request.  
 Contact factory with correct model designation and serial number.  
 All dimensions are expressed in inches.

# BETTIS™

www.emerson.com/bettis  
 Copyright © Emerson. The information in this document is subject to change without notice.  
 Updated data sheets can be obtained from our website www.emerson.com/bettis or from your nearest Actuation Technologies Center:  
**America's:** +1 281 477 4100 (fax 477 2809) **Europe:** +36 22 53 09 50 (fax +36 22 54 37 00) **Asia/Pacific:** +65 650 14 600 (fax +65 626 80 028)

**Data sheet**

Sheet No.: HPI 3.02 RevB

Date: August 2010

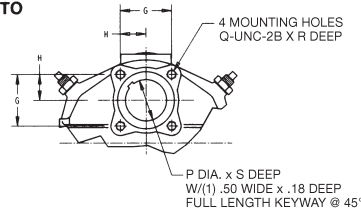
**HD-Series**

# Dimensions – (Pneumatic) In.

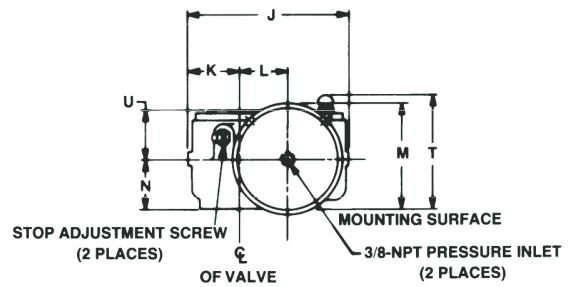
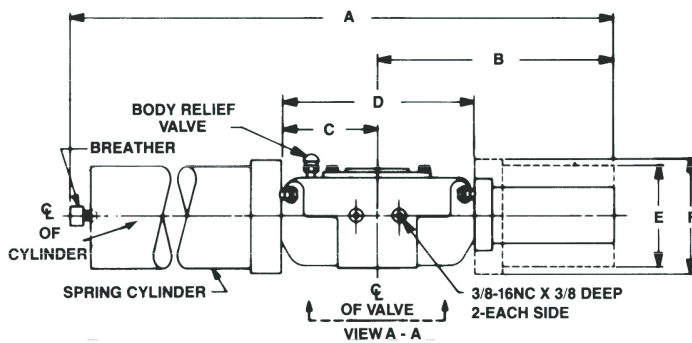
## Mounting Dimensions (View A-A) For All HD-Series Actuators

(Dimensions G, H, P, Q, R and S)

**NOTE: ACTUATOR SHOWN ROTATED TO THE FULL CLOCKWISE POSITION.**



## Spring-Return



Actuator Model	Spring Size							B	C	D	E	F	G
	40	60	80	100	120	150	200						
	Dimension A												
521-SR	44.31	44.31	44.31	50.09	50.09	50.09	53.28	15.06	5.56	11.13	5.38	5.97	3.19
721-SR	45.44	45.44	45.44	45.44	50.13	50.13	—				7.50	8.13	
722-SR	51.06	51.06	55.06	55.06	—	—	—	18.47	6.81	13.63	—	—	—
732-SR	24.88	60.69	66.06	66.06	70.19	70.19	—	22.31	6.81	13.63	—	—	4.06

Actuator Model	H	J	K	L	M	N	P (diam.)	Q THD.	R	S	T	U
521-SR	1.59	8.91	2.88	2.50	5.81	2.81	2.504	.500-13	.75	5.63	7.63	2.88
721-SR					6.88							
722-SR					—							
732-SR	2.03	11.18	3.63	3.38	7.63	3.28	3.250	.750-10	1.00	7.25	8.38	3.75

Note: Not Certified dimensional drawings. Such drawings available on request.  
 Contact factory with correct model designation and serial number.  
 All dimensions are expressed in inches.

**BETTIS™**

**EMERSON™**

# Data sheet

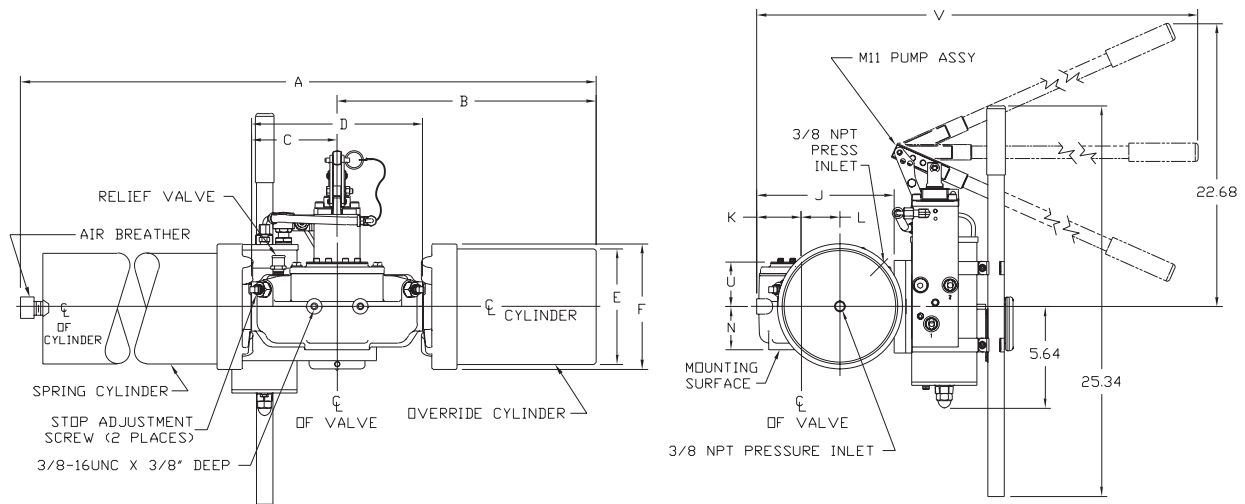
Sheet No.: HPI 3.03 RevB

Date: August 2010

HD-Series

## Dimensions – (Pneumatic) In.

### Spring-Return Actuators CBA XXX-SRX



Actuator Model	Spring Size							B	C	D	E	F	G
	40	60	80	100	120	150	200						
	Dimension A												
521-SR-M11	47.38	47.38	47.38	53.16	53.16	53.16	56.34	16.69	5.56	11.12	5.38	5.97	3.19
721-SR-M11	48.84	48.84	48.84	48.84	53.53	53.53	—	16.81			7.50	8.12	
731-SR-M11	60.69	60.69	66.06	66.06	70.19	70.19	—	20.62	6.81	13.62			4.06

Actuator Model	H	J	K	L	N	P	Q THD.	R	S	U	V
521-SR-M11	1.59	8.91	2.88	2.50	2.81	2.504	.500-13 UNC	.75	5.62	2.88	39.28
721-SR-M11											
731-SR-M11	2.03	11.18	3.62	3.38	3.56	3.250	.750-10 UNC	1.00	7.25	3.75	42.18

Note: Not Certified dimensional drawings. Such drawings available on request.  
 Contact factory with correct model designation and serial number.  
 All dimensions are expressed in inches.

**BETTIS**<sup>™</sup>

**EMERSON**<sup>™</sup>