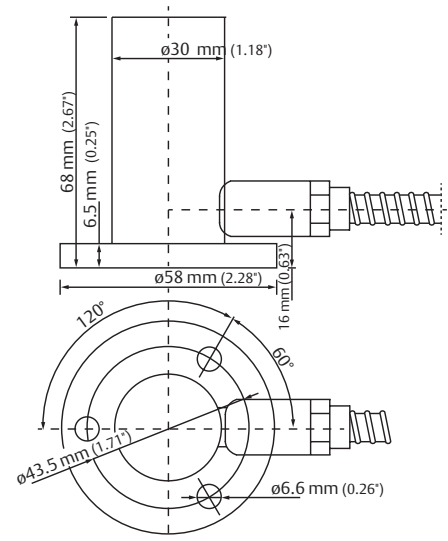


High Temperature Velocity Sensor

Mechanical velocity sensor for absolute vibration measurement of critical turbomachinery applications such as steam, gas and hydro turbines, compressors, pumps and fans to measure case vibration **with high temperature capability.**

Sensor Orientation	
Vertical Only (PR9268/60)	±30° (without lifting current) ±60° (with lifting current)
Horizontal Only (PR9268/70)	±10° (without lifting current) ±30° (with lifting current)
Dynamic Performance	
Sensitivity (±5%) @ 80 Hz/20°C (68°F)	PIN 3, 100 kOhm 22.0 mV/mm/s (550 mV/in/s)
	PIN 1, 50 kOhm 16.7 mV/mm/s (424.18 mV/in/s)
	PIN 4, 20 kOhm 16.7 mV/mm/s (424.18 mV/in/s)
Frequency Range	10 to 1000 Hz (600 to 60,000 cpm)
Natural Frequency	8 Hz ±1.5 Hz @ 20°C (68°F)
Transverse Sensitivity @ 80 Hz	0.10 mV/mm/s
Measurement Range	±1500 µm (59055 µin)
Measurement Limits	±2000 µm (78740 µin)
Amplitude Linearity	<2%
Maximum Acceleration	10 g (98.1 m/s ²) Continuous, 20 g (196.2 m/s ²) Intermittent
Maximum Transverse Acceleration	2 g (19.62 m/s ²)
Damping Factor, Measured at PIN 3	approx. 0.7 (20°C, 68°F) approx. 0.50 (200°C, 392°F)
Environmental	
Operating Temperature Range	-20 to 200°C (-4 to 392°F)
Temperature Excursions <4 Hours	-20 to 220°C (-4 to 428°F)
Sealing Rating	IP65
Humidity	0 to 100% Non-Condensing



Physical		
Material:	Housing	Stainless Steel
	Armor	Stainless Steel
	Harting Connector	Die Cast Aluminum
Weight (Sensor Cable, no Armor & Conn)		≈ 1050 grams (37.1oz)
Power & Electrical		
Self Powered		
Coil DC Resistance	PIN 1: 3770 Ohm ±10%	
	PIN 3: 3270 Ohm ±10%	
	PIN 4: 3690 Ohm ±10%	
Inductance	≤ 160 mH	
Effective Capacitance	Insignificant	
Compliance and Certifications		
CE	2014/30/EU 2014/34/EU 2011/65/EU EN61326-1 DIN EN 50581	
ATEX	EN 50014 EN 50020	
CSA	CAN/CSA-C22.2 NO. 61010-1-12 UL 61010-1	

Hazardous Area Approvals

Intrinsic Safety (iA)	
ATEX	II 2 G EEx ib IIC T4, Ta ≤ 125°C II 2 G EEx ib IIC T3, Ta ≤ 190°C (Harting Plug 100°C max.)

Ordering Information

Model Number		PR9268 / X 0 X - X 0 0						
Measurement	Vertical ≤ 200°C	6						
	Horizontal ≤ 200°C	7						
Cable	WITH ARMOR 0 (3m), 1 (5m), 2 (8m), 3 (10m)			X				
	WITHOUT ARMOR 4 (3m), 5 (5m), 6 (8m), 7 (10m)			X				
Cable End	HARTING CONNECTOR					0		

**Emerson
Reliability Solutions**
835 Innovation Drive
Knoxville, TN 37932 USA
☎ +1 865 675 2400

🌐 www.emerson.com/ams

©2017, Emerson. All rights reserved.

The Emerson logo is a trademark and service mark of Emerson Electric Co. All other marks are the property of their respective owners.

The contents of this publication are presented for informational purposes only, and while every effort has been made to ensure their accuracy, they are not to be construed as warranties or guarantees, express or implied, regarding the products or services described herein or their use or applicability. All sales are governed by our terms and conditions, which are available on request. We reserve the right to modify or improve the designs or specifications of our products at any time without notice.