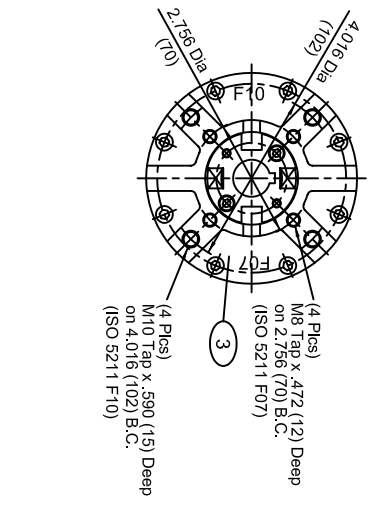
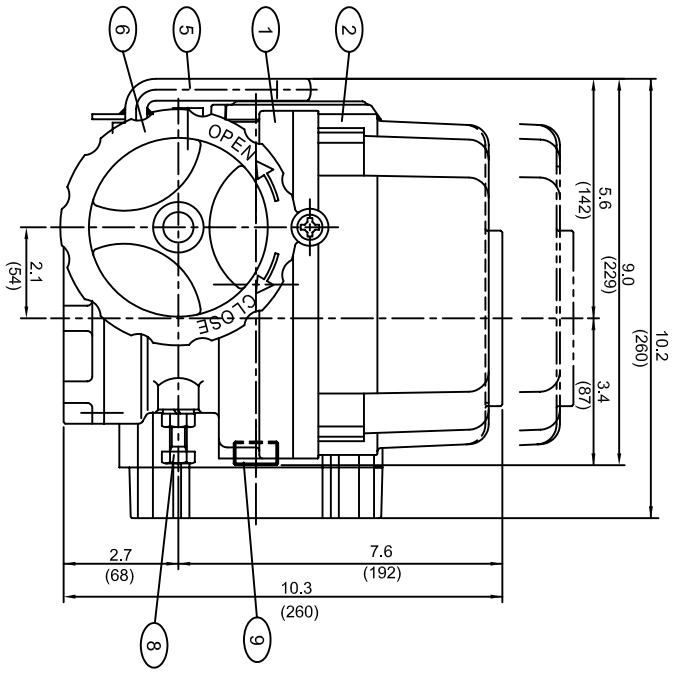
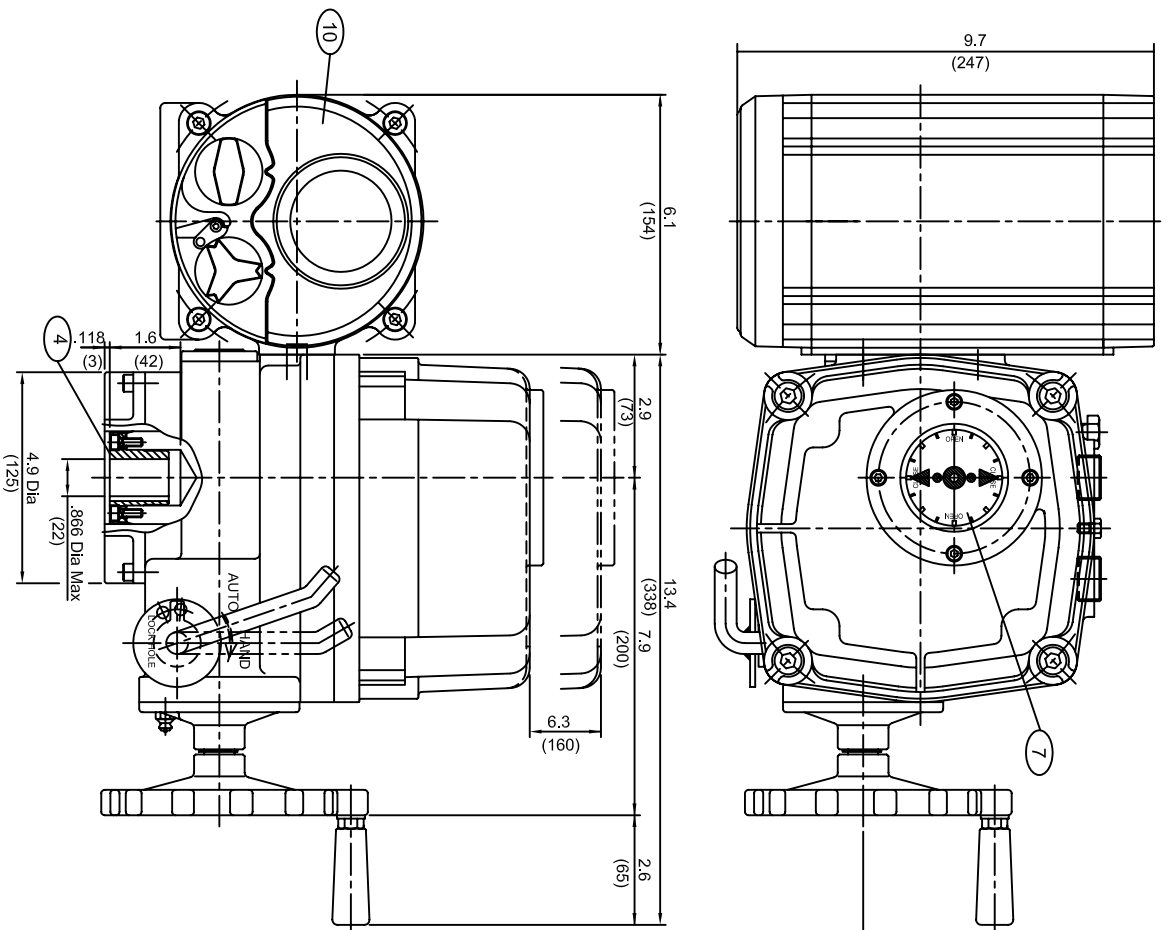


Q015-503-A



NO	PART NAME	QTY	REMARK
1	BODY	1	
2	TOP COVER	1	
3	BASE	1	
4	DRIVE BUSHING	1	
5	LEVER	1	
6	HANDLE	1	
7	INDICATOR	1	
8	STOPPER BOLTS	2	
9	CONDUIT ENTRIES	2	3/4" NPT
10	ITU BOX	1	
11			
12			

INCHES .XXX ± .005"  
(MILLIMETERS) .XX ± .020"  
X APPROX.

REV	DATE	ERO	BY	CL
C	03/11/05	14040		CL
B	02/07/05	13977		CL
A	1/5/05	13974		CL

**EIM COMPANY, INC.**  
13840 PIKE ROAD  
CONTROLS, MISSOURI CITY, TX 77489

**HQ-015/020 LCU-C**  
OUTLINE NO.: HQ-72598