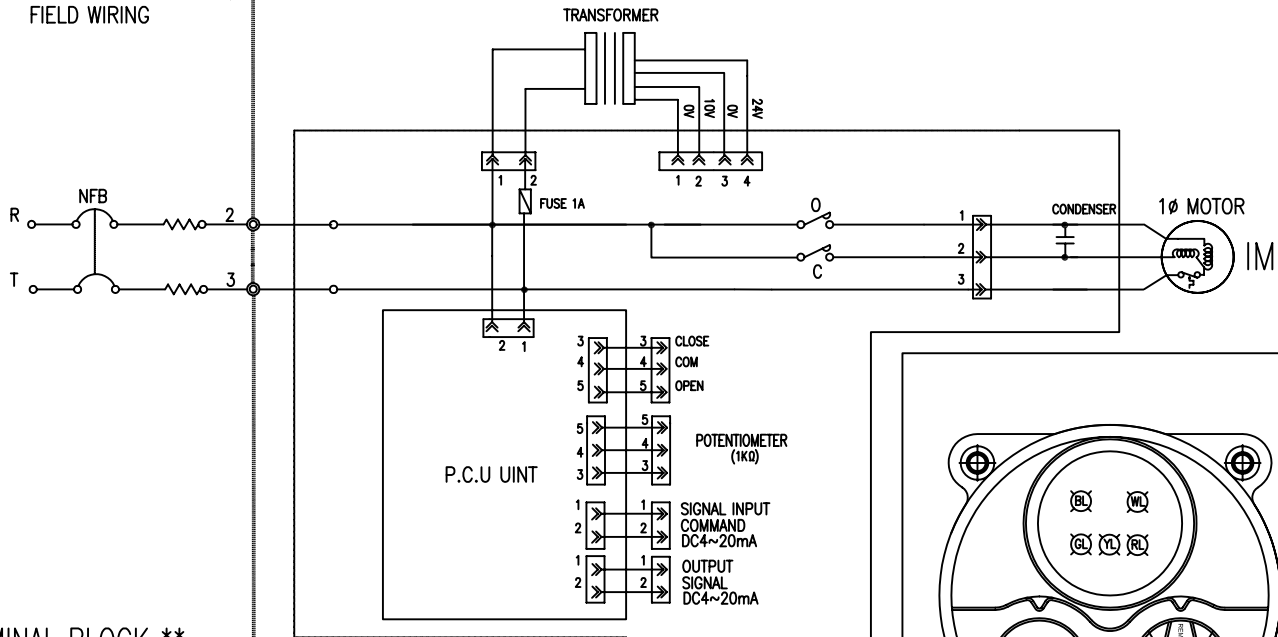


CUSTOMER SUPPLY
FIELD WIRING

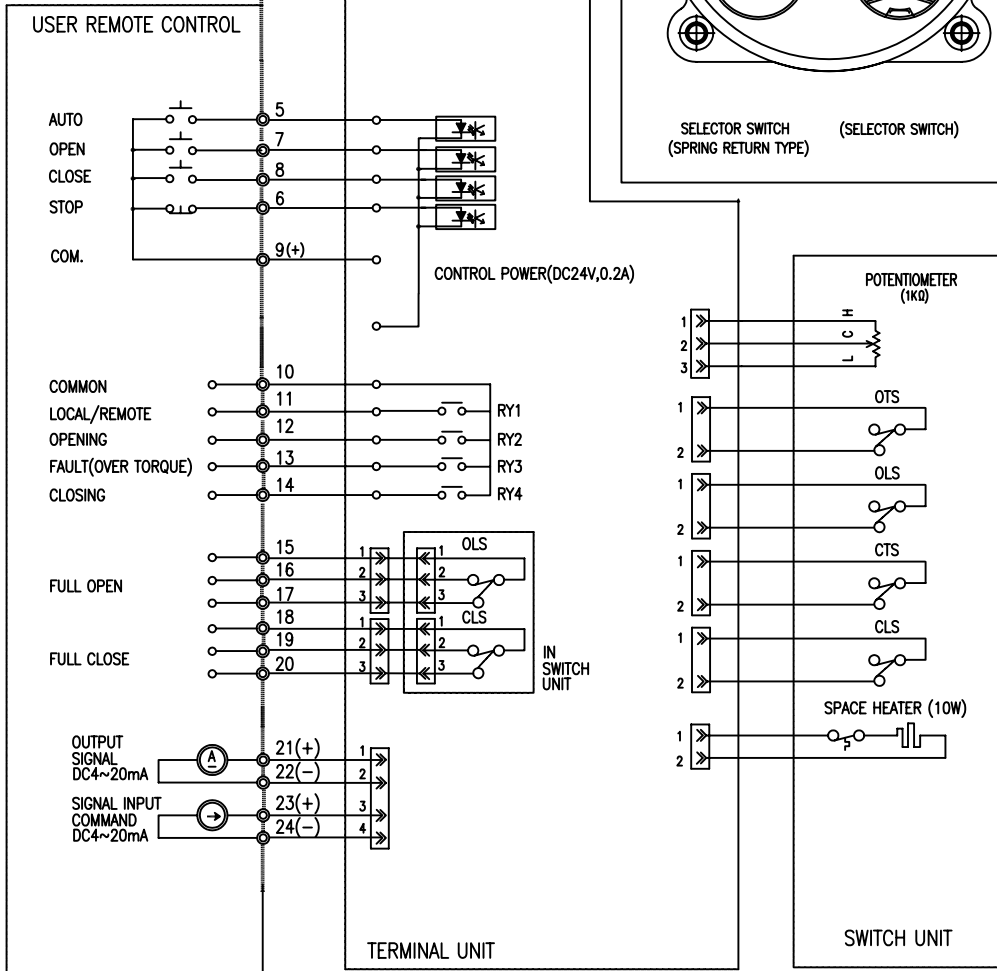
CONTROLLER & ACTUATOR ASS'Y

DWG. NO HQ - 91500 A



** TERMINAL BLOCK **

1	13
2	14
3	15
4	16
5	17
6	18
7	19
8	20
9	21
10	22
11	23
12	24



** NOTE **

- AUTO : REMOTE mA CONTROL
- OLS : OPEN LIMIT SWITCH
- CLS : CLOSE LIMIT SWITCH
- OTS : OPEN TORQUE LIMIT SWICH
- CTS : CLOSE TORQUE LIMIT SWICH
- O/C : OPEN/CLOSE POWER RELAY(DC 24V)
- RL : RED LAMP FOR OPEN WL : WHITE LAMP FOR POWER
- GL : GREEN LAMP FOR CLOSE BL : BLUE LAMP FOR REMOTE
- YL : YELLOW LAMP FOR FAULT
- RY1 : REMOTE MONITOR RELAY
- RY3 : FAULT RELAY
- RY2/RY4 : RUNNING RELAY
- ⊙ : MARKS FOR TERMINAL

** LIMIT SWITCH CONTACT POSITIONS **

ROTOR	CON-TACT	VALVE OPENING (%)	
		0	100
OPEN (OLS)	2-3		
	1-3		
CLOSE (CLS)	2-3		
	1-3		

— : CONTACT ON - - - : CONTACT OFF