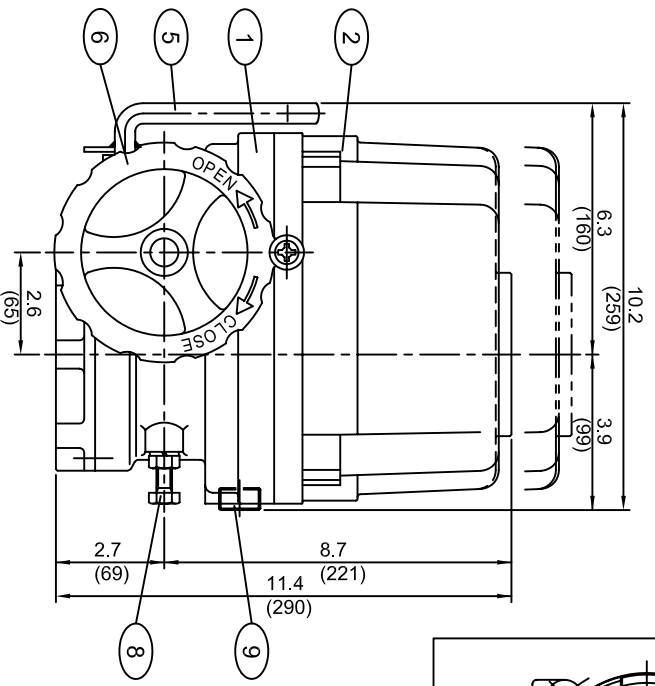
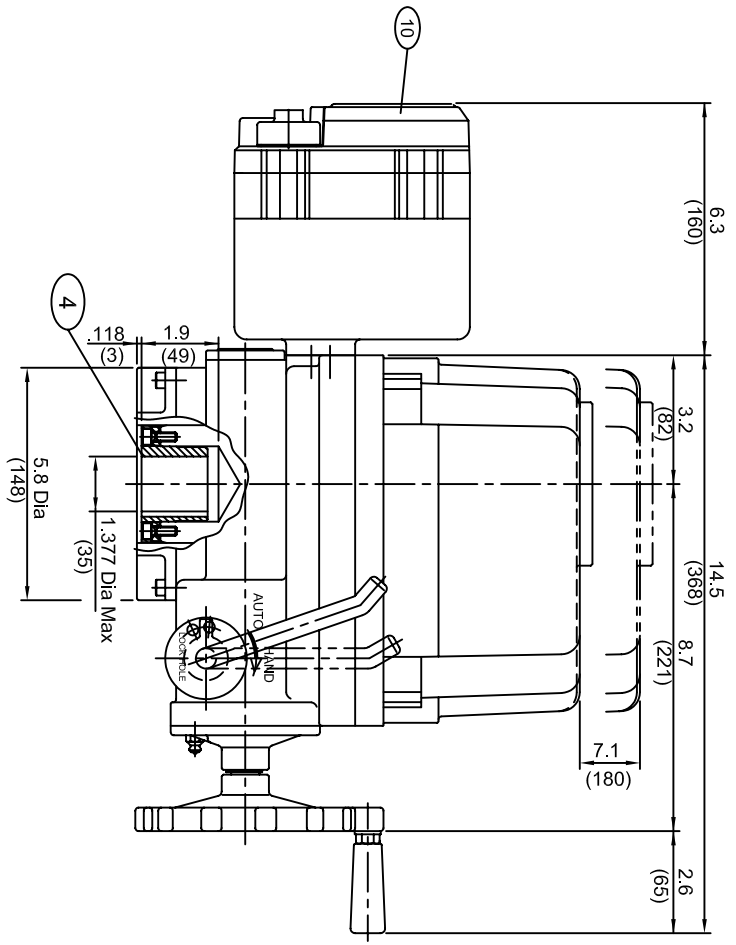
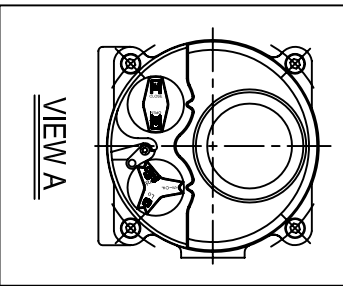


NO	PART NAME	QTY	REMARK
1	BODY	1	
2	TOP COVER	1	
3	BASE	1	
4	DRIVE BUSHING	1	
5	LEVER	1	
6	HANDLE	1	
7	INDICATOR	1	
8	STOPPER BOLTS	2	
9	CONDUIT ENTRIES	2	3/4" NPT
10	S-T BOX	1	
11			
12			



INCHES .XXX ± .005"
(MILLIMETERS) .XX ± .020"
. X APPROX.

EIM EIM COMPANY, INC.
13840 PIKE ROAD
CONTROLS MISSOURI CITY, TX 77489

REV	DATE	BY	ERO	CL	CL	CL	CL	TITLE
C	03/14/05			14040	CL	CL	CL	HQ-030/050/060 LCU-AB
B	02/07/05			13977	CL	CL	CL	HQ-030/050/060 LCU-AB
A	01/10/05			13977	CL	CL	CL	HQ-030/050/060 LCU-AB

Q030-505-A

OUTLINE NO. HQ-72595 C