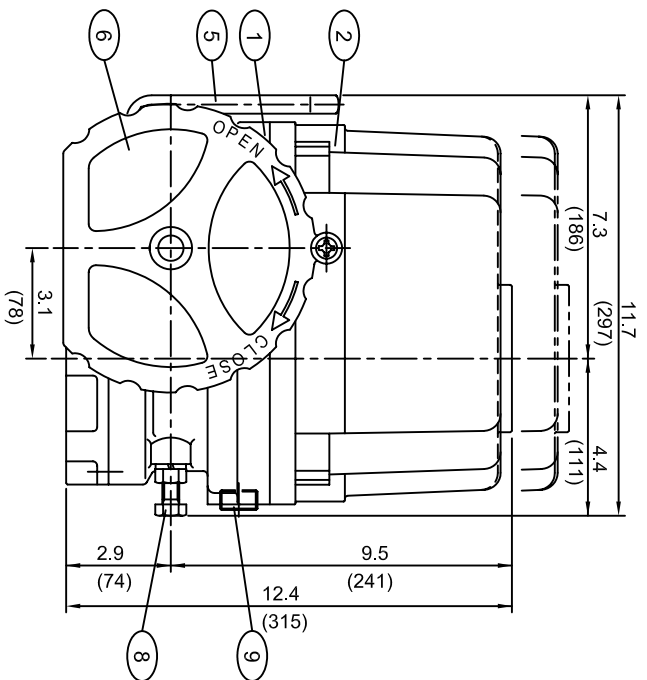
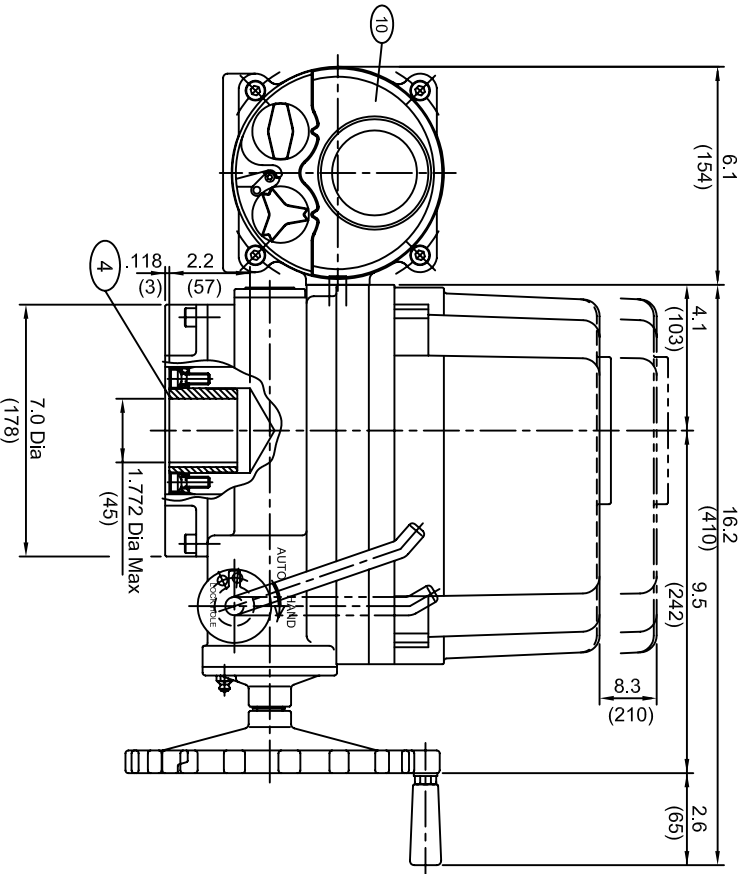


NO	PART NAME	QTY	REMARK
1	BODY	1	
2	TOP COVER	1	
3	BASE	1	
4	DRIVE BUSHING	1	
5	LEVER	1	
6	HANDLE	1	
7	INDICATOR	1	
8	STOPPER BOLTS	2	
9	CONDUIT ENTRIES	2	3/4" NPT
10	ITU BOX	1	
11			
12			



INCHES .XXX ± .005"  
(MILLIMETERS) XX ± .020"  
.X APPROX.

**EIM COMPANY, INC.**  
13840 PIKE ROAD  
MISSOURI CITY, TX 77489

**HQ-080/120 LCU-C**

REV	DATE	BY	CL
C	03/11/05	14040	CL
B	02/07/05	13977	CL
A	01/10/05	13977	CL

OUTLINE NO. **HQ-72600**

Q080-503-A