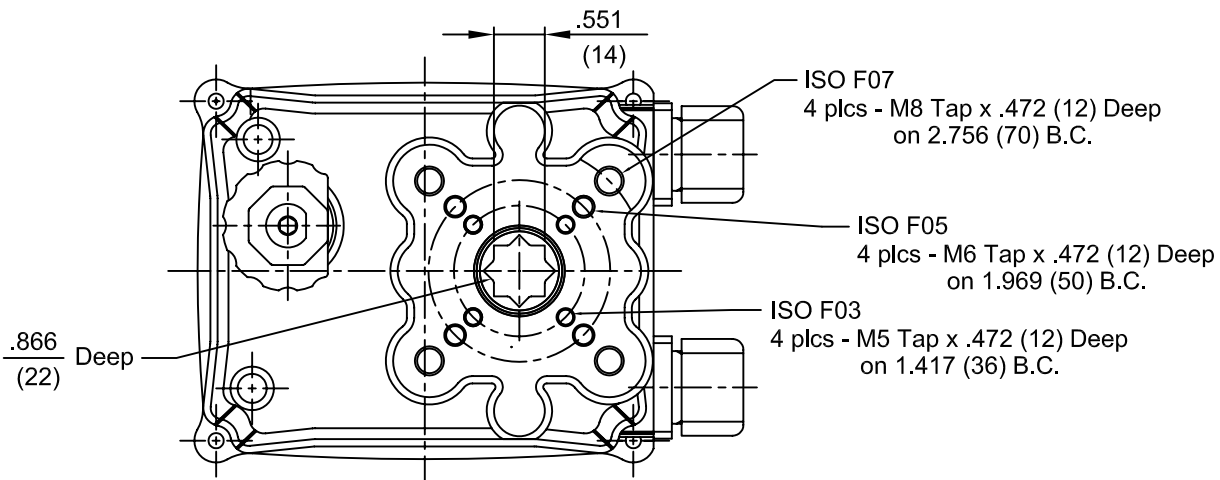
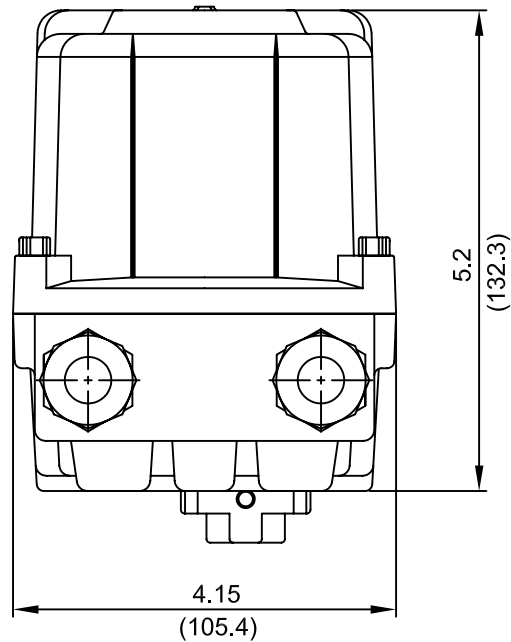
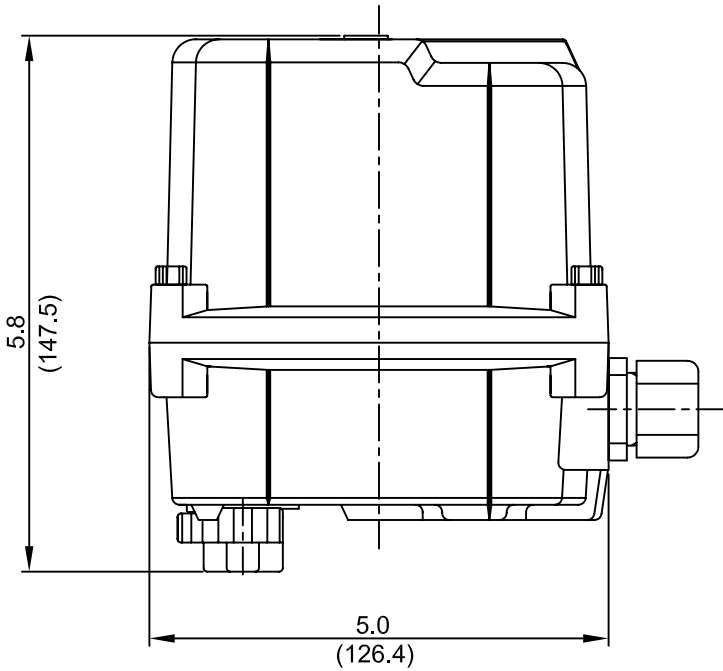


ENCLOSURE: IP65
 TORQUE: 6Kg.m (520 in-lbs)
 OPERATION TIME: 13sec
 POSITION SWITCH: 4 SPDT SWITCH
 CABLE ENTRY: 2 Plcs PG .531" (13.5)
 (1/4" - 1/2" Wire Cable)
 MOUNTING FLANGE: F03/F05/F07
 acc to DIN/ISO5211



INCHES .XXX ± .005"
 (MILLIMETERS) .XX ± .020"
 .X APPROX.

REV	DATE	ERO	BY
D	03/11/05	14040	CL
C	02/25/05	14031	CL
B	02/07/05	13977	CL
A	01/10/05	13977	CL

EIM COMPANY, INC.
 13840 PIKE ROAD
 CONTROLS MISSOURI CITY, TX 77489
HQ-006
 TITLE
 OUTLINE NO. **HQ-72586 D**