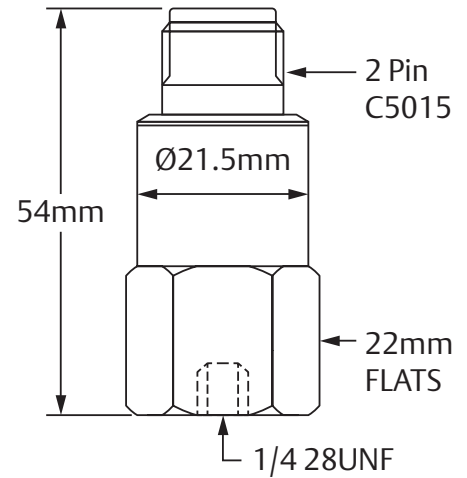


Industrial Accelerometer

Dynamic Performance	
Sensitivity (±10%)	100 mV/g (10.2 mV/m/s ²)
Measurement Range	±10 g (±98 m/s ²)
Frequency Range:	(±5%) 2.0 to 10000 Hz (120 to 600,000 cpm)
	(-3 dB) 0.80 Hz (48 cpm)
Mounted Resonant Frequency	18 kHz Nominal
Transverse Sensitivity	≤5%
Environmental	
Temperature Range	-55 to 115°C (-67 to 239°F)
Sealing/Rating	IP67
Agency Ratings	CE 0518 ATEX II 1G, I M1 IECEX SIR 07.0032X, Sira 07ATEX2128X Ga Ex ia IIC T4 (-20°C < Ta < 50°C) Ma Ex ia I (0°C < Ta < 50°C)
Electrical	
Excitation Voltage / Current	18 to 30 VDC / 0.5 to 8 mA
Output Bias	12 VDC Nominal
Broadband Resolution (1 to 10 kHz)	1000 µg (9810 µm/s ²) Electrical Noise
Grounding	Base Isolated
Mechanical	
Weight	100 grams Nominal (3.5 oz)
Mounting Thread / Torque	¼-28 UNF / 8 Nm (5.9 lb ft)
Case Material	Stainless Steel
Supplied Accessories	
¼-28 Mounting Stud	
Mounting Stud	



Emerson
Reliability Solutions
835 Innovation Drive
Knoxville, TN 37932
☎ +1 865 675 2400
🌐 www.emerson.com/ams

©2017, Emerson. All rights reserved.

The Emerson logo is a trademark and service mark of Emerson Electric Co. All other marks are the property of their respective owners.

The contents of this publication are presented for informational purposes only, and while every effort has been made to ensure their accuracy, they are not to be construed as warranties or guarantees, express or implied, regarding the products or services described herein or their use or applicability. All sales are governed by our terms and conditions, which are available on request. We reserve the right to modify or improve the designs or specifications of our products at any time without notice.