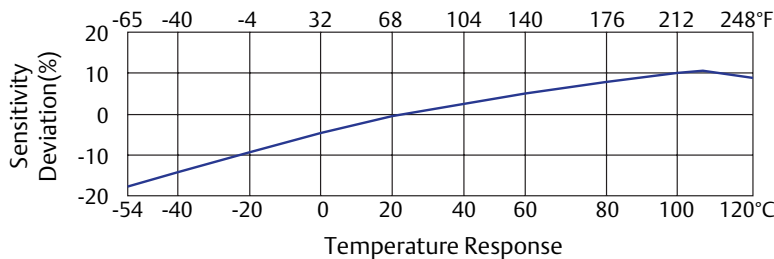
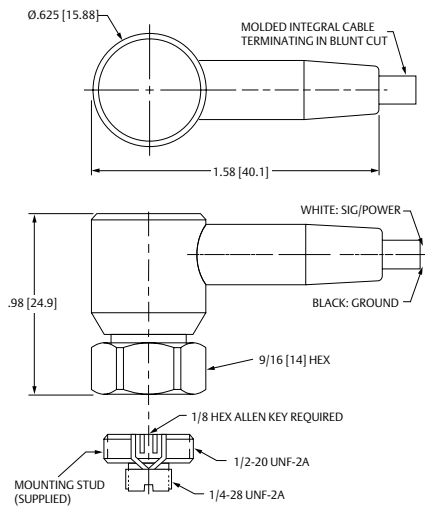



Industrial Swivel-Base Accelerometer

| Dynamic Performance | |
|------------------------------------|--|
| Sensitivity ($\pm 10\%$) | 100 mV/g (10.2 mV/m/s ²) |
| Measurement Range | ± 50 g (490 m/s ²) |
| Frequency Range: | ($\pm 5\%$) 1.20 to 5,000 Hz (72 to 300,000 cpm) |
| | ($\pm 10\%$) 0.87 to 7,000 Hz (52 to 420,000 cpm) |
| | (± 3 dB) 0.43 to 10,000 Hz (26 to 600,000 cpm) |
| Mounted Resonant Frequency | 25 kHz Nominal |
| Amplitude Linearity | $\pm 1\%$ (0 Based Straight Line Method) |
| Transverse Sensitivity | $\leq 5\%$ |
| Environmental | |
| Shock Limit | 5,000g pk (49,050 m/s ²) |
| Temperature Range | -54 to 121°C (-65 to 250°F) |
| Temperature Response | See Graph |
| Sealing / Rating | Welded Hermetic / IP68 |
| Electrical | |
| Settling Time | ≤ 2.0 sec (Within 1% of Bias) |
| Discharge Time Constant | ≥ 0.4 sec |
| Excitation Voltage / Current | 18 to 24 VDC / 2.0 to 20 mA |
| Output Bias | 8 to 12 VDC |
| Output Impedance | <150 ohms |
| Broadband Resolution (1 to 10 KHz) | 300 μ g (2,943 μ m/s ²) Electrical Noise |
| Case Isolation | $>10^8$ ohms |



| Mechanical | |
|---------------------------|---|
| Weight | 22 grams (0.78 oz) Sensor & Stud Only |
| Mounting Stud / Torque | ¼-28 UNF / 9.5 to 10.8 Nm (7 to 8 lb ft) |
| Mounting Hex / Torque | 9/16" Flats / 2.7 to 6.8 Nm (2 to 5 lb ft) |
| Sensor Element / Geometry | Ceramic / Shear |
| Case Material | Stainless Steel |
| Connector Type (Side) | Molded Integral Cable (See Versions) |
| Supplied Accessories | |
| Three Point Calibration | |
| Versions | |
| 1. A0322RI /-1 /-2 | Yellow Jacket 3 m (10'), 9 m (30'), 15 m (50') Cable |
| 2. A0322RA /-1 /-2 | Armored, 3 m (10'), 9 m (30'), 15 m (50') Cable |
| 3. A0322RA -1-EX | Armored, 9 m (30') Cable  |

Emerson
Reliability Solutions
 835 Innovation Drive
 Knoxville, TN 37932
 ☎ +1 865 675 2400
 🌐 www.emerson.com/ams

©2017, Emerson. All rights reserved.

The Emerson logo is a trademark and service mark of Emerson Electric Co. All other marks are the property of their respective owners.

The contents of this publication are presented for informational purposes only, and while every effort has been made to ensure their accuracy, they are not to be construed as warranties or guarantees, express or implied, regarding the products or services described herein or their use or applicability. All sales are governed by our terms and conditions, which are available on request. We reserve the right to modify or improve the designs or specifications of our products at any time without notice.