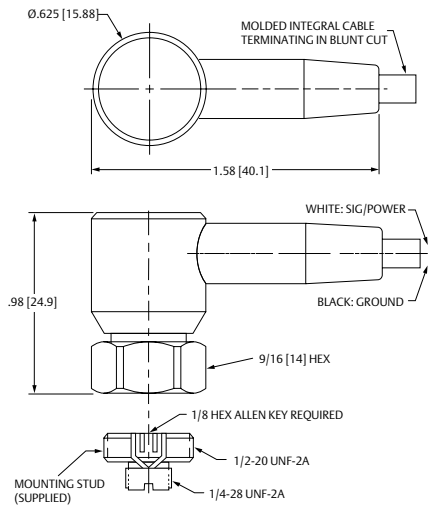



# Industrial Swivel-Base Accelerometer

Dynamic Performance	
Sensitivity (±10%)	100 mV/g (10.2 mV/m/s <sup>2</sup> )
Measurement Range	±50 g (490 m/s <sup>2</sup> )
Frequency Range:	(±5%) 1.20 to 5,000 Hz (72 to 300,000 cpm)
	(±10%) 0.87 to 7,000 Hz (52 to 420,000 cpm)
	(±3 dB) 0.43 to 10,000 Hz (26 to 600,000 cpm)
Mounted Resonant Frequency	25 kHz Nominal
Amplitude Linearity	±1% (0 Based Straight Line Method)
Transverse Sensitivity	≤5%
Environmental	
Shock Limit	5,000g pk (49,050 m/s <sup>2</sup> )
Temperature Range	-54 to 121°C (-65 to 250°F)
Temperature Response	See Graph
Sealing / Rating	Welded Hermetic / IP68
Electrical	
Settling Time	≤2.0 sec (Within 1% of Bias)
Discharge Time Constant	≥0.4 sec
Excitation Voltage / Current	18 to 24 VDC / 2.0 to 20 mA
Output Bias	8 to 12 VDC
Output Impedance	<150 ohms
Broadband Resolution (1 to 10 KHz)	300 μg (2,943 μm/s <sup>2</sup> ) Electrical Noise
Case Isolation	>10 <sup>8</sup> ohms



Mechanical	
Weight	22 grams (0.78 oz) Sensor & Stud Only
Mounting Stud / Torque	¼-28 UNF / 9.5 to 10.8 Nm (7 to 8 lb ft)
Mounting Hex / Torque	9/16" Flats / 2.7 to 6.8 Nm (2 to 5 lb ft)
Sensor Element / Geometry	Ceramic / Shear
Case Material	Stainless Steel
Connector Type (Side)	Molded Integral Cable (See Versions)
Supplied Accessories	
Three Point Calibration	
Versions	
1. A0322RI /-1 /-2	Yellow Jacket 3 m (10'), 9 m (30'), 15 m (50') Cable
2. A0322RA /-1 /-2	Yellow Jacket, Armored, 3 m (10'), 9 m (30'), 15 m (50') Cable
3. A0322RA -1-EX	Yellow Jacket, Armored, 9 m (30') Cable 

**Emerson**  
**Reliability Solutions**  
 835 Innovation Drive  
 Knoxville, TN 37932  
 ☎ +1 865 675 2400  
 🌐 [www.emerson.com/ams](http://www.emerson.com/ams)

©2017, Emerson. All rights reserved.

The Emerson logo is a trademark and service mark of Emerson Electric Co. All other marks are the property of their respective owners.

The contents of this publication are presented for informational purposes only, and while every effort has been made to ensure their accuracy, they are not to be construed as warranties or guarantees, express or implied, regarding the products or services described herein or their use or applicability. All sales are governed by our terms and conditions, which are available on request. We reserve the right to modify or improve the designs or specifications of our products at any time without notice.