

## Assigning a static IP address to a GC

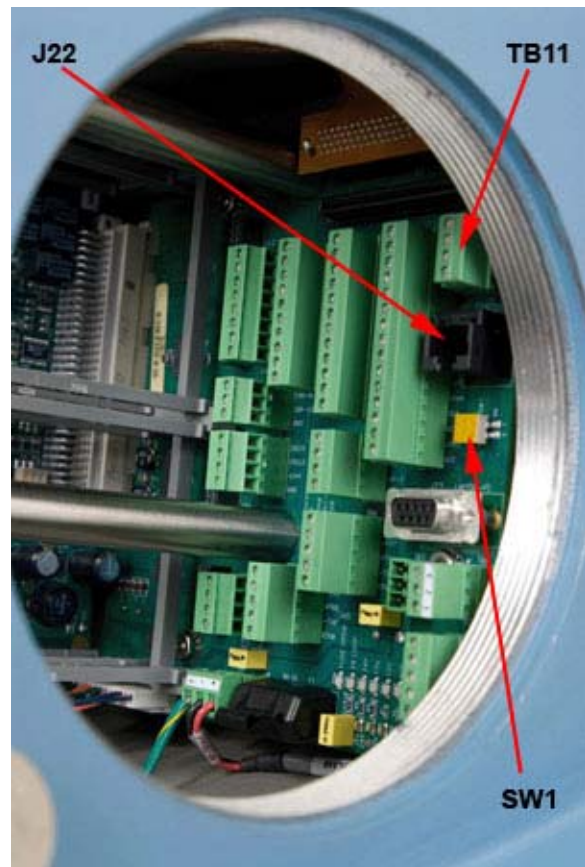
To configure the GC with a static IP address, do the following:

1. Start MON 20/20 and log on to GC using a direct Ethernet connection. For more information, refer to the “Connecting directly to a PC using the GC’s Ethernet port” section of the GC’s manual.
2. Select **Ethernet ports...** from the **Applications** menu. The *Ethernet Ports* window displays.
3. Depending upon the Ethernet port to which you want to assign a static IP address, do the following:
  - The Ethernet port at TB11: Enter the appropriate values in the **Ethernet 2 IP Address**, the **Ethernet 2 Subnet**, and the **Default Gateway** fields.
  - The RJ-45 Ethernet port at J22: Enter the appropriate values in the **Ethernet 1 IP Address**, the **Ethernet 1 Subnet**, and the **Default Gateway** fields.

**Note:** IP, Subnet, and Gateway addresses can usually be obtained from a member of your IT staff.

4. Click **OK**.
5. Log off of the GC.

6. Access the backplane, which is located in the GC’s lower enclosure.



7. If you are setting up a static IP address for the Ethernet port at J22, and you also intend to connect to your company’s local area network, do the following:
  - a. Locate the set of dip switches, labeled **1** and **2**, at **SW1** on the backplane. SW1 is located directly beneath the Ethernet port at J22.

- b. Move **dip switch 2** to its left position.  
This disables the DHCP server.
- 8. Use the following schematics as a guide to wiring the GC via its Phoenix connector at TB11. Figure 1 shows the traditional wiring scheme; Figure 2 shows how to wire a CAT5e cable if you cut off its RJ-45 plug.

Figure 1

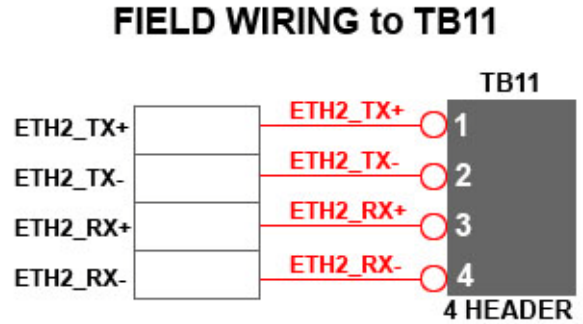
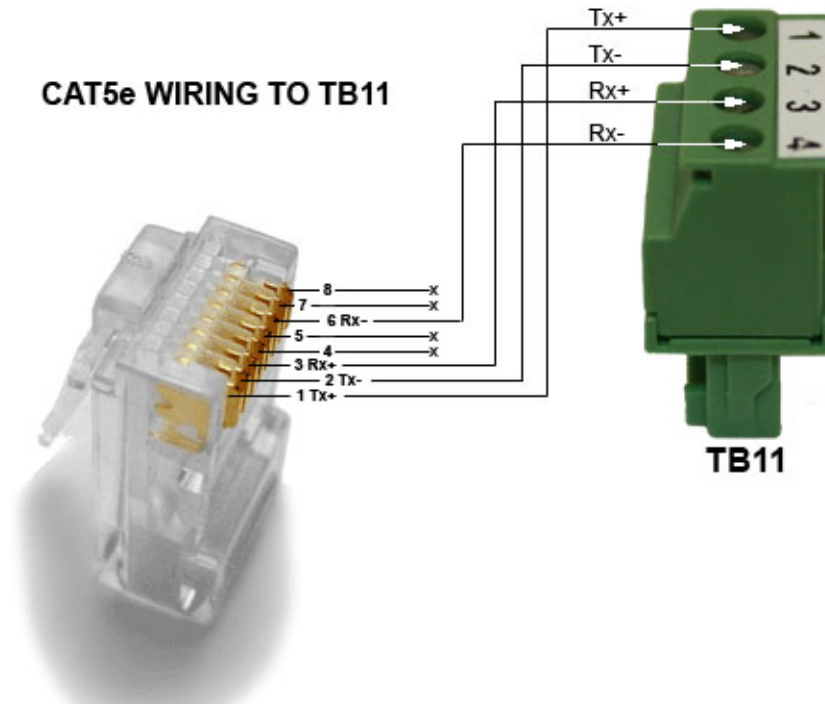
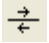


Figure 2



To connect to the GC, do the following:

1. Start MON 20/20 and select **GC Directory...** from the **File** menu. The *GC Directory* window displays.
2. Select **Add** from the *GC Directory* window's **File** menu. A **New GC** profile will be added to the end of table.  
**Note:** You can also rename the GC's profile as well as add a short description.
3. Select the new profile and click **Ethernet....** The *Ethernet Connection Properties for New GC* window displays.
4. Enter the GC's static IP address in the **IP address** field.
5. Click OK. The *Ethernet Connection Properties for New GC* window closes.
6. Click **Save** on the *GC Directory* window.
7. Click **OK** to close the *GC Directory* window.
8. Select **Connect...** from the **Chromatograph** menu or click the  icon. The *Connect to GC* window displays.
9. The newly created GC profile should be listed in the table. Locate it and click the **Ethernet** button that is associated with it. The *Login* window displays.
10. Enter a **User Name** and **User Pin** and click **OK**.