

Installation Instruction

DOC.ISLMC.Q Rev. A
September, 2006

Pneumatic Manual Override options

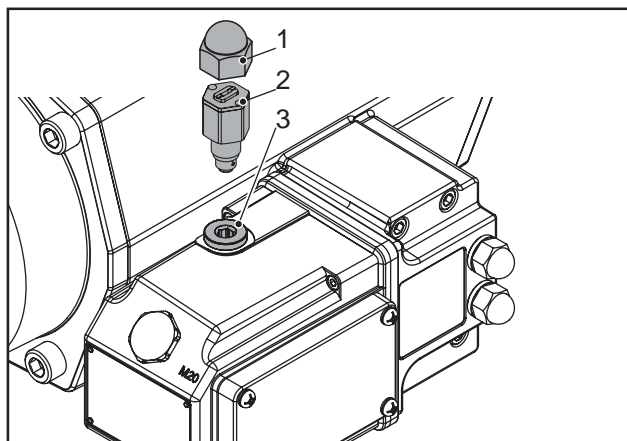


Fig. 1 Pneumatic Manual Override mounting

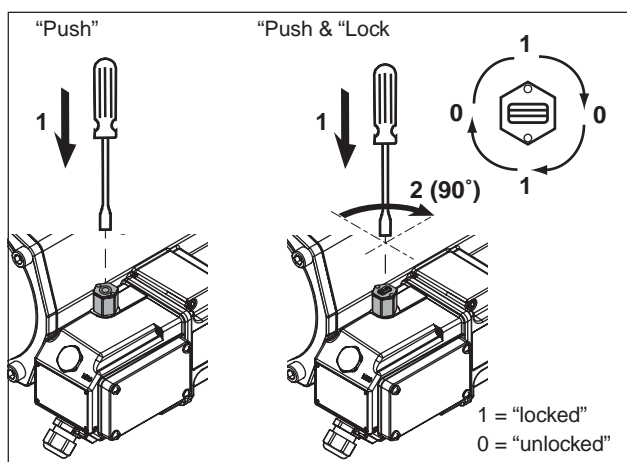


Fig. 2 Pneumatic Manual Override operation



WARNING

FieldQ pneumatic actuators must be isolated both pneumatically and electrically before (dis)assembly.

For commissioning, emergency or maintenance purposes, the FieldQ can be supplied with Pneumatic Manual Override options. These options can operate the actuator when there is air pressure available, but no control signal or power supply. Two versions are available:

- 1 "Push" version.
- 2 "Push & Lock" version.

1 Mounting instructions.

- 1 Remove plug (3) from the Pneumatic Manual Override port on the Control module (use a 6mm Allen key). Take care that no dirt or moisture enters in this port.
- 2 Turn in and tighten the Pneumatic Manual Override (2), using a 19mm wrench. Take care that the flange under the hexagon meets the housing surface. Do not use excessive force.
- 3 Replace the nut cap (1).

2 Operating instructions.

- 1 **"Push" version.** Pressing the spring return button will operate the actuator. Releasing the button will bring back the actuator in its original position.
- 2 **"Push & Lock" version.** To operate this optional local manual control, use a screw driver. Push and turn it 90°, to lock it in position and keep the actuator in its operated state.

It is possible to rotate the screw multiple cycles. The unit will toggle every 90° between "locked" (1) and "unlocked" (0).



www.FieldQ.com

Copyright © Emerson Process Management. The information in this document is subject to change without notice. Updated data sheets can be obtained from our website www.Fieldq.com or from your nearest Valve Automation Center: **America's:** +1 813 630 2255 (fax +1 630 9449) **Europe:** +31 74 256 10 10 (fax +31 74 291 09 38) **Asia/Pacific:** +65 626 24 515 (fax +65 626 80 028)



EMERSON
Process Management