

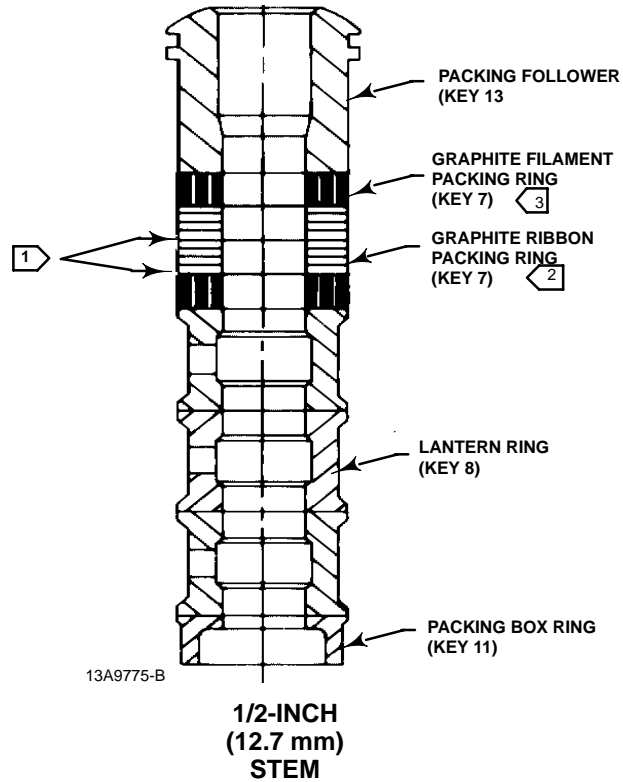
Packing Assembly, Single Graphite Ribbon/Filament



FISHER-ROSEMOUNT™

RPACKX00112 RPACKX00142

For necessary information concerning the installation of this packing set, please consult the appropriate Fisher product instruction manual.



NOTES:

- 1 > 0.004 INCH (0.102 mm) THICK SACRIFICIAL ZINC WASHERS; USE ONLY ONE BELOW EACH GRAPHITE RIBBON RING.
- 2 HAS THE APPEARANCE OF DIE FORMED GRAFOIL MATERIAL.
- 3 HAS THE APPEARANCE OF A WOVEN OR BRAIDED RING.

©Fisher Controls International, Inc. 2000; All Rights Reserved
Fisher and Fisher-Rosemount are marks owned by Fisher Controls International, Inc. or Fisher-Rosemount Systems, Inc.

The contents of this publication are presented for informational purposes only, and while every effort has been made to ensure their accuracy, they are not to be construed as warranties or guarantees, express or implied, regarding the products or services described herein or their use or applicability. We reserve the right to modify or improve the designs or specifications of such products at any time without notice.

For information, contact Fisher Controls:
Marshalltown, Iowa 50158 USA
Cernay 68700 France
Sao Paulo 05424 Brazil
Singapore 128461



FISHER-ROSEMOUNT™