

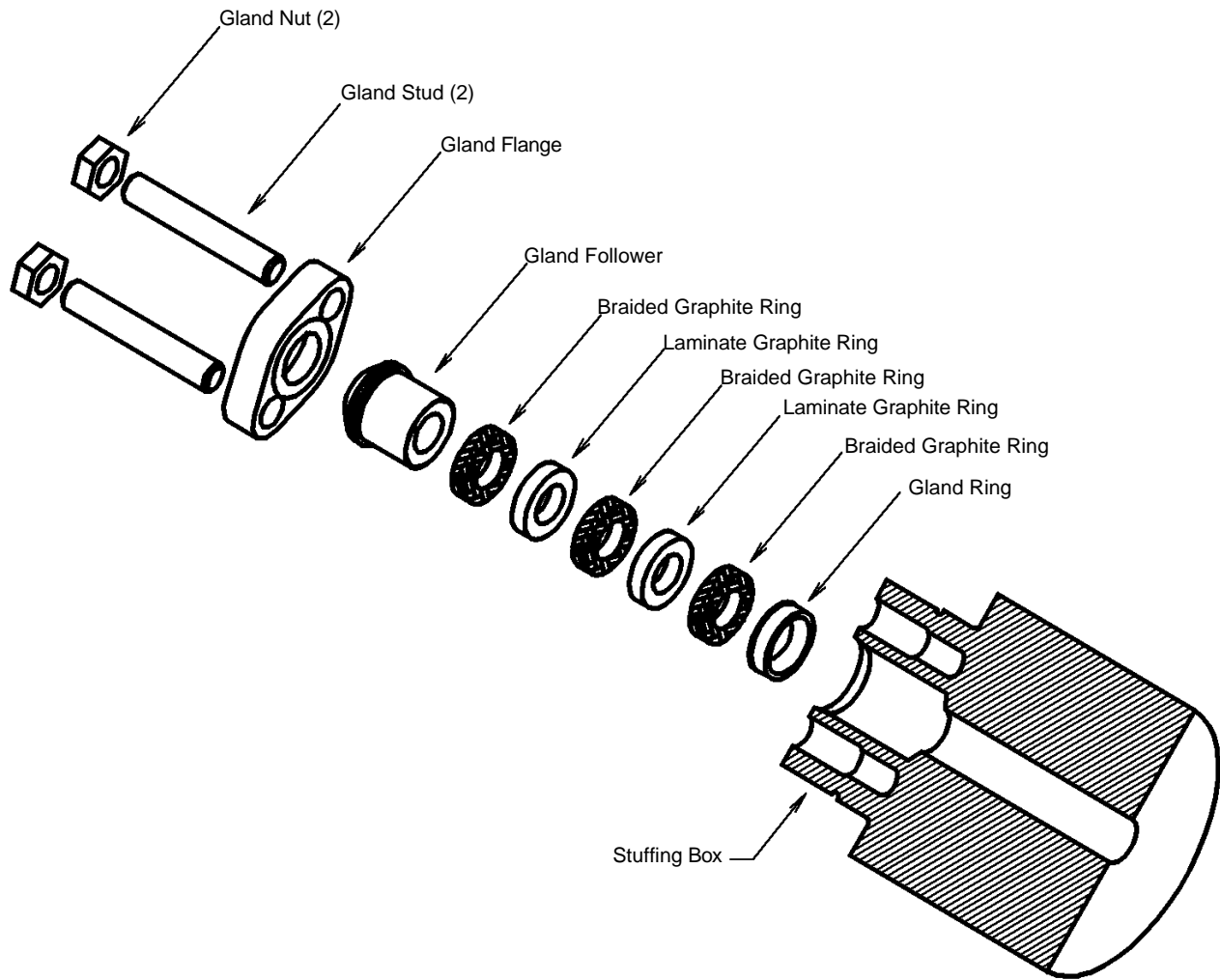


FISHER-ROSEMOUNT™

Packing Assembly Single Graphite Ribbon/Filament

3/4-Inch (19.1 mm) Stem	RPACKX00522
1-Inch (25.4 mm) Stem	RPACKX00532
1-1/4 Inch (31.8 mm) Stem	RPACKX00542

For necessary information concerning the installation of this packing set, please consult the appropriate Fisher product instruction manual.



Fisher, Fisher-Rosemount, and Managing The Process Better are marks owned by Fisher Controls International, Inc. or Fisher-Rosemount Systems, Inc. All other marks are the property of their respective owners.

©Fisher Controls International, Inc. 1999; All Rights Reserved

The contents of this publication are presented for informational purposes only, and while every effort has been made to ensure their accuracy, they are not to be construed as warranties or guarantees, express or implied, regarding the products or services described herein or their use or applicability. We reserve the right to modify or improve the designs or specifications of such products at any time without notice.

For information, contact Fisher Controls:
Marshalltown, Iowa 50158 USA
Cernay 68700 France
Sao Paulo 05424 Brazil
Singapore 128461

