

# Relay Contact - DB9 Interface for DC UPS

## Relay Contact To DB9 Signals Converter

SDU 24-DB9 is an interface enabling the user to convert the relay contact signals to DB9 signals. This options is necessary if the UPS software incorporated within the Windows operating system (Windows 2000 or later versions, Windows XP or Windows Vista) is to be used. This software enables the user to view the "On-Battery/Power Fail" status, the "Battery Low" indication and apply a shut down signal to turn off the DC UPS instantaneously.

### 1. What's Included - Components supplied with the SDU 24-DB9 kit:

- One SDU 24-DB9 Box
- One Interface Cable (DB 9 Connector)
- Four M3 Mounting Screws

### 1: Relay Contact To DB9 Signals Converter

SDU 24-DB9 is an interface enabling the user to convert the relay contact signals to DB9 signals. This options is necessary if the UPS software incorporated within the Windows operating system (Windows 2000 or later versions, Windows XP or Windows Vista) is to be used. This software enables the user to view the "On-Battery/Power Fail" status, the "Battery Low" indication and apply a shut down signal to turn off the DC UPS instantaneously.

### 2: Software Configuration: While configuring the UPS power option using the Windows Operating System:

Select manufacturer: Generic. Select Model: Custom  
 Then click on next to configure the UPS signal polarity:  
 Power Fail/On Battery: Negative  
 Battery Low: Negative  
 Shut Down: Positive

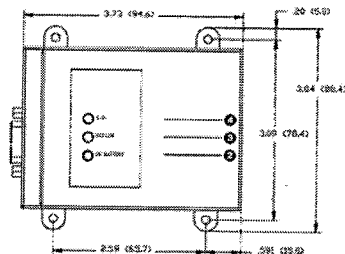
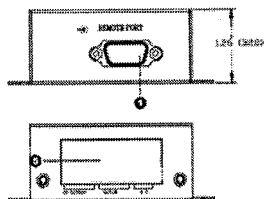
### 3: LED indication: there are three LEDs

Red LED	for shut down signal indication
Yellow LED	for "on battery indication"
Green LED	for "low battery"

### DB9 Pin Out

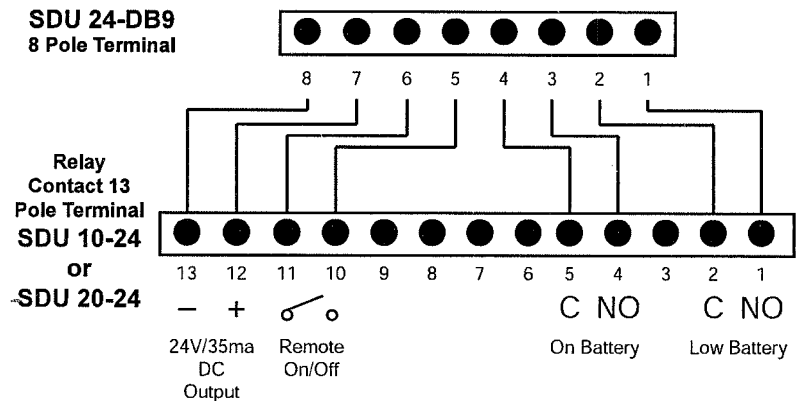
Pin3	Shutdown input signal
Pin5	Ground
Pin6	"On-Battery and Output Signal"
Pin8	"Battery Low"

SDU 24-DB9:Front and Rear View



## English Version

- Remote Port**  
The communication port is used for linking to remote computer.
- On Battery Indicator**  
The (Yellow LED) is illuminated when DC Voltage is abnormal.
- Battery Low Indicator**  
The (Green LED) is illuminated when battery capacity is low.
- Shut down indicator (S.D.)**  
When the SDU 24-DB9 receives shut down signal for over 1 second, the (Red LED) is illuminated and the UPS shuts down instantaneously.
- 8 poles terminal connectors**



NOTE: Suitable electric wire = AWG 24~16, Copper Conductor, 60/75° C



## CAUTION

ELECTRICAL SAFETY PRE-CAUTIONS MUST BE FOLLOWED WHEN INSTALLING OR SERVICING THIS EQUIPMENT. TO PREVENT RISK OF ELECTRICAL SHOCK, TURN OFF AND LOCK OUT ALL POWER SOURCES TO THE UNIT BEFORE MAKING ELECTRICAL CONNECTIONS OR SERVICING.

### Installation Procedure:

- Step 1:** Using the four M3 screws provided, mount the dry relay box on the right side of the SDU 10-24 or SDU 20-24. If mounting on a separate chassis, the hole diameter for mounting the relay box is 0.378 Inch (3.5 mm).
- Step 2:** Refer to the above Schematic diagram to connect the Power Module "SDU 10-24 or SDU 20-24." 13-pole terminal with the 8-pole terminal of SDU 24-DB9.
- Step 3:** Plug the RS239/DB9 cable into the DB9 connector of SDU 24-DB9, plug the other end of this communication cable to the computer RS232 port.