

March 2009

# Types J31 and J32 Rotary Gauge

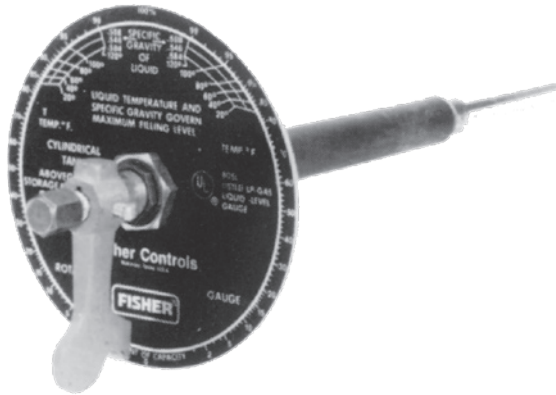


Figure 1. J31 Series Rotary Gauge

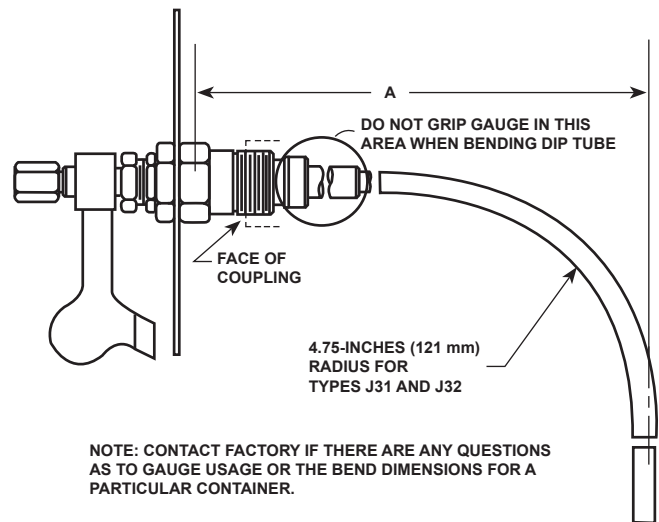


Figure 2. Types J31 and J32 Rotary Gauge Installation Schematic

## WARNING

Install, use, and maintain per Fisher® instructions and all applicable federal state, local laws and codes, and NFPA Pamphlet 58 or ANSI K61. 1. Periodic inspection and maintenance is essential.

The Types J31 and J32 rotary gauges can be used on both stationary and mobile installations. One mobile installations hangers should be used with these units to support the horizontal length of the dip tube.

## CAUTION

Do not make the “A” dimension, see Figure 2 on reverse side, of the gauge any longer than is needed for the dip tube to reach the bottom of the container. Excessively long horizontal lengths produce stress on the gauge near the face of the coupling.

If the gauge is ordered with a straight dip tube, care must be taken when bending the tube to the particular container in installation. Do not place the encircled area of the gauge, see Figure 2, in a vise because this can weaken the gauge internally. Instead grip the dip tube portion of the gauge when bending the dip tube.



# Types J31 and J32

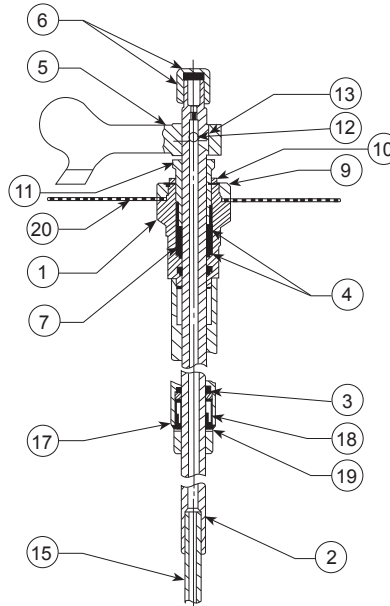


Figure 3. Types J31 and J32 Assembly

T20179

## Parts List

Key	Description	Part Number	Key	Description	Part Number
1	Body Extension Tube Type J31, Zinc-plated steel	T10885T0012	12	Set Screw, Alloy steel-plate	T1096424152
	Type J32, 304 Stainless steel	T10885T0022	13*	Key, Carbon steel-plate	T1096528982
2	Stem Tube Collar Assembly Type J31	T10979000A2	15	Dip Tube Assembly, Steel plate (For Type J31 Only)	T11047000A2
	Type J32	T10979000B2		69 to 92-inches (1753 to 2337 mm)	T11047000C2
3*	O-ring, Nitrile (NBR)	T1095106562	17	Insert Type J31, Zinc-plate steel	T1095224102
4	Packing Sleeve, Nylon (PA)	T1095606162		Type J32, 303 Stainless steel	T1106635032
5	Indicator, Ductile iron	T1088719232	18*	Needle Bearing Type J31, Carbon steel	T1095328992
6*	Cap-Seat Assembly, Stainless steel Type J31	T10971000A2		Type J32, Polytetrafluoroethylene (PTFE)	T1106538992
	Type J32	T10971000B2	19	Washer, Nylon (PA)	T1095406162
7	Friction Ring, Nylon (PA)	T1095706162	20	Dial, Aluminum	T20207T0012
9	Lock Nut, Zinc-plated steel	T1096124102		Type P322	T20206T0012
10	Lock Nut, Zinc-plated steel	T1096224102		Type P323	T20237T0012
11	Seal Nut, 410/416 Stainless steel	T1096335132		Type P324	T20237T0012

\*Recommended spare part

### LP-Gas Equipment

#### Emerson Process Management Regulator Technologies, Inc.

USA - Headquarters  
McKinney, Texas 75070 USA  
Tel: 1-800-558-5853  
Outside U.S. 1-972-548-3574

For further information visit [www.emersonprocess.com/regulators/lp](http://www.emersonprocess.com/regulators/lp)

The Emerson logo is a trademark and service mark of Emerson Electric Co. All other marks are the property of their prospective owners. Fisher is a mark owned by Fisher Controls, Inc., a business of Emerson Process Management.

The contents of this publication are presented for informational purposes only, and while every effort has been made to ensure their accuracy, they are not to be construed as warranties or guarantees, express or implied, regarding the products or services described herein or their use or applicability. We reserve the right to modify or improve the designs or specifications of such products at any time without notice.

Emerson Process Management does not assume responsibility for the selection, use or maintenance of any product. Responsibility for proper selection, use and maintenance of any Emerson Process Management product remains solely with the purchaser.