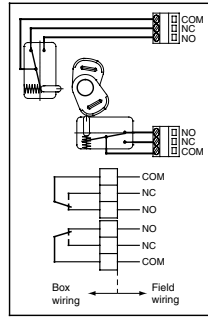
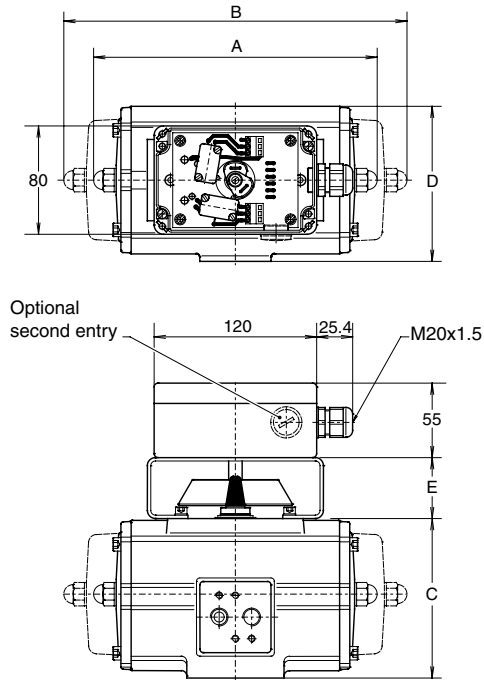


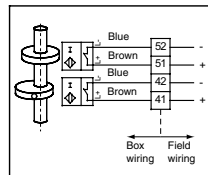
Data sheet

Sheet No.: 3.214.01 Rev. A
Date: November 2009

EL-O-MATIC ACTUATOR WITH LDN(A) SWITCHBOX INTRINSICALLY SAFE LDN(A) EEx ia



Mechanical Switches



2-Wire inductive switches

Intrinsically safe ATEX

- LDN: II 1 G EEx ia IIC T6...T4
- LDNA: II 1 GD EEx ia IIC T6...T4
- Certificate: KEMA 04ATEX 1005 X

NEPSI

- Ex ia IIC T4...T6,
- Ex ia IIC T4...T6,
- DIP A20 Ta 44°C...80°C
- NEPSI: GYJ071073X / GYJ071074X

* For the marking per product and applicable zones in which the products are allowed to be used, see data sheet 3.214.00 (ATEX) or 3.214.00.1 (NEPSI).

Dim. in mm.	Actuator type											
	E12	E25	E40	E65	E100	E200	E 350	E600	E950	E1600	P2500	P4000
A PD/ED	103	159	180	199	221	283	305	387	424	516	378	502
B PE/ES	118	172	204	249	267	360	387	477	517	637	570	834
C	80	100	113	125	138	163	201	250	289	327	386	410
D	60	83	96	107	117	137	182	217	242	275	358	390
E	45	45	45	45	45	45	45	55	55	55	55	55

Description

This low duty intrinsically safe switch box encloses two proximity switches or two single pole double throw change over switches for indicating the fully open and fully closed actuator positions.

The switches are operated by two cams on an extension of the actuator drive shaft and all mechanical parts are contained within the enclosure. All six terminals of the two switches are pre-wired to a terminal block which is easily accessible when the top cover is removed. The cover screws are captive.

The conductive enclosure (LDN : Vestamid) is intrinsically safe with the ATEX marking II 1G or II 2G EEx ia IIC T6..T4 and is suitable for all zones with all gas groups.

The aluminum enclosure (LDNA) is additionally marked II 1 D T 44 °C...T 80 °C and therefore also suitable for all dust groups. Both enclosures are ingress proof to IP65 and as such completely dust and water tight.

Both switches are independently adjustable and are factory set to indicate at 5° before each end position. The switches are adjustable through the operating stroke and can be locked in any position after adjustment has completed.

The switch box is mounted on top of the actuator with an accessory bracket according VDI/VDE 3845 (NAMUR), which incorporates a visual position indicator.

Identification

- LDN(A)-box IS1: SJ3,5-SN
- LDN(A)-box IS2: SJ3,5-N
- LDN(A)-box IS3: SJ5-N
- LDN(A)-box IS4: NJ2-11-N-G
- LDN(A)-box IS5: NJ2-11-SN
- LDN(A)-box IS6: NJ2-V3-N
- LDN(A)-box IS7: V3 mechanical switch

Specification

Switches

Proximity

- Slot type : SJ3,5-N, SJ5-N or SJ3,5-SN
- V3 type : NJ2-V3-N
- Cylindrical : NJ2-11-SN, NJ2-11-N-G
- Voltage : 8 VDC (Ri = 1kOhm)
- Amps : Switched, less than 1 mA (output)
- Standards : DIN EN 60947-5-6 (NAMUR)
- Standards : xx-xx-SN switches also to : VDE 660 Part 209

Mechanical switches

- Voltage : Ui = 30 V
- Current : li = 300 mA
- Power : Pi = 1.2 W
- Capacitance : Ci = 0 nF
- Inductance : Li = 0 µH

Housing

- Material : LDN : Conductive enclosure (Vestamid®)
 - Material : LDNA : Aluminium
 - Electrical entry : 1x Pg 11
 - Electrical entry : Option : Second entry
 - Enclosure : IP65
 - Mounting : Acc. NAMUR VDI/VDE3845, The E12 has its own bracket
 - Temperature : -25° to +70°C,
 - Temperature : -25° to +80°C for aluminum box
- Actual upper temperature may be limited by the application. See certificate for more detailed info



www.El-O-matic.com

Copyright © Emerson Process Management. The information in this document is subject to change without notice.

Updated data sheets can be obtained from our website www.El-O-matic.com or from your nearest Valve Automation Center **USA**: +1 813 319 0266 **Europe**: +31 74 256 10 10 **Asia-Pacific**: +65 6501 4600



EMERSON
Process Management