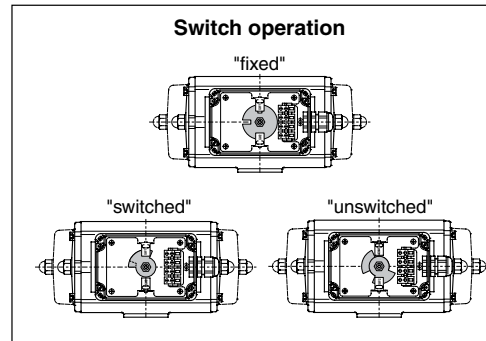
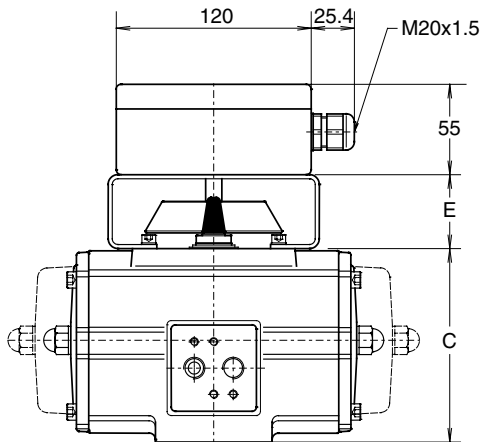
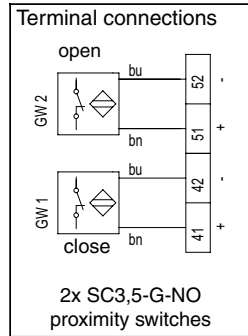
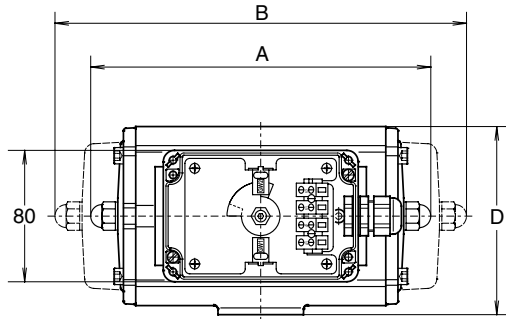


Data sheet

Sheet No.: 3.214.07 Rev. A
Date: November 2009

EL-O-MATIC ACTUATOR WITH LDN-IS10 SWITCHBOX INTRINSICALLY SAFE / LIMITED ENERGY

LDN-IS10



Description

This low duty intrinsically safe switch box encloses two proximity switches for indicating the fully open and fully closed actuator positions.

The switches are operated by a cam on an extension of the actuator drive shaft and all mechanical parts are contained within the enclosure. Cage clamp terminals are pre-wired to the switches which are easily accessible when the top cover is removed. The cover screws are captive.

The conductive enclosure (Vestamid®) is certified for use in zones 1 and 2 with all gas groups. The switches are intrinsically safe certified for use in zones 1 and 2 and additionally comply to EN50021: 2000 (Limited Energy) for use in zones 2 only, with all gas groups. The enclosure is ingress proof to IP65 and as such completely dust and water tight.

Each switch is operated by a cam. These cams are easily adjustable for quick commissioning. Additionally these cams can be adjusted to operate the as "unswitched" or "switched".

The switch box is mounted on top of the actuator with an accessory bracket according VDI/VDE 3845 (NAMUR), which incorporates a visual position indicator.

Specification

Switches

- Make : Pepperl & Fuchs
- Type : 2x SC3,5-G-NO
- Voltage : 8 VDC (Ri = 1kOhm)
- Amps (output) : Switched, < 1 mA,
Unswitched, >3mA
- Standards : DIN EN 60947-5-6 (NAMUR)
- Switch operation : Adjustable to "unswitched" or "switched"

Housing

- Material : Conductive enclosure (Vestamid®), Window Ø 50mm : ABS
- Electrical entry : 1x M20x1.5
Option: Blue gland (Ex e / IP65) for IS connections
Black gland (Ex e / IP65) for nL connections
- Enclosure : IP65
- Mounting : Acc. NAMUR VDI/VDE3845, The E12 has its own bracket
- Temperature : -25° to +70°C
Actual upper temperature may be limited by the application. See ATEX certificate for more detailed info.

Identification LDN box (Vestamid®)

- LDN-IS10 : 2x SC3,5-G-NO

Option:

Aluminium housing with gas and dust approvals, see 3.214.04

Dim. in mm.	Actuator type											
	E12	E25	E40	E65	E100	E200	E 350	E600	E950	E1600	P2500	P4000
A PD/ED	103	159	180	199	221	283	305	387	424	516	378	502
B PE/ES	118	172	204	249	267	360	387	477	517	637	570	834
C	80	100	113	125	138	163	201	250	289	327	386	410
D	60	83	96	107	117	137	182	217	242	275	358	390
E	45	45	45	45	45	45	45	55	55	55	55	55



ATEX Zone 1 and 2

- Methode : Intrinsically safe
- Marking : Ex II 2 G EEx ia IIC T6...T4
- Certificate : KEMA 04ATEX 1005 X

ATEX Zone 2

- Methode : Limited Energy
- Marking : Ex II 3 G EEx nL IIC T6...T4



NEPSI Zone 1 and 2

- Methode : Intrinsically safe
- Marking : Ex ia IIC T4...T6
- Certificate : NEPSI: GYJ071074X

NEPSI Zone 2

- Methode : Limited Energy
- Marking : Ex nL IIC T4...T6
- Certificate : NEPSI: GYJ071074X



www.El-O-matic.com

Copyright © Emerson Process Management. The information in this document is subject to change without notice.

Updated data sheets can be obtained from our website www.El-O-matic.com or from your nearest Valve Automation Center **USA:** +1 813 319 0266 **Europe:** +31 74 256 10 10 **Asia-Pacific:** +65 6501 4600



EMERSON
Process Management