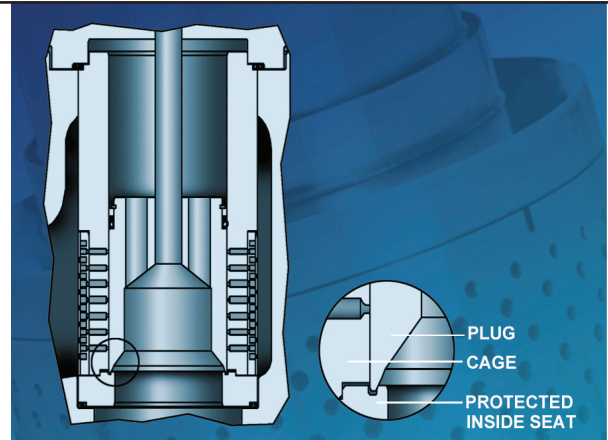


# Leakage Reduced in Superheater Bypass Valves Using Protected Inside Seat

## RESULTS

- Flash tank pressure has been maintained at 50 psig indicating no valve leakage.
- Expected cost savings in excess of \$3 million annually due to decreased feed water pumping load, increased plant capacity, and reduction in overall heat rate.



## APPLICATION

Superheater bypass valves.

## CUSTOMER

Large municipal electric utility.

## CHALLENGE

Superheater bypass valves experience some of the most severe operating conditions in a supercritical power plant. The valves are required to pass cold water initially, then hot water and eventually super-heated steam. During these operating phases, the valves may be exposed to damaging cavitation and flashing as well as extremely high temperatures.

In 2000, plant engineers evaluated several valve replacement options before specifying four Fisher® 8-inch ANSI 2500 globe valves equipped with Cavitrol® III 4-stage trim with a C-seal. Upon installation, the company noticed an immediate improvement in plant performance including increased capacity and efficiency, and reduced maintenance cost.

However, because of the severe operating conditions, the valves began to leak after only three to five start-ups and the leakage was increasing over time. This was causing the downstream flash tank pressure to rise to 150 psig during normal plant operation when it should be approximately 50 psig.

It was determined that the leakage was being caused by plug erosion due to particulate or low-flow throttling. The erosion results in decreased shutoff capability and possible valve failure.

*The protected inside seat for control valves with Cavitrol® III Trim addresses seat leakage issues due to plug-tip erosion.*

## SOLUTION

To help combat the leakage problem, Experitec. Inc., (Emerson's local business partner) has made periodic upgrades to the valves since 2000. While these upgrades have helped, none have solved the leakage problem to the extent that the customer or Emerson would have liked.

Because other power customers were also experiencing this problem, Emerson engineers developed a new trim design called protected inside seat to solve the problem. For control valves with standard Cavitol III trim designs, shutoff occurs when the radius tip of the plug, located on the lower outside edge of the plug, contacts the beveled seat ring. On the new protected inside seat design, the plug seat consists of a bevel on the inside of the plug tip and enters a machined groove in the upper surface of the seat ring. Since surfaces for shutoff are inside the plug tip and the radius in the groove of the seat ring, the protected seat feature does not expose shutoff surfaces to potential erosion in the flow stream. The plug and seat are made of 440C to combat the high stress levels found in the plug tip.

## RESULT

The new protected inside seat was installed in May of 2008 in each of the four superheater bypass valves. Engineers from Emerson and Experitec supervised the installation. A key metric for this application is stability of the flash tank pressure to prove the integrity of the seat.

Since May 2008 and after approximately six unit start-ups, flash tank pressure has been maintained at about 50 psig which indicates no leakage. If flash tank pressure continues to hold, the customer expects a cost savings in excess of \$3 million to \$4 million annually due to decreased feed water pumping load, increased plant capacity, and reduction in overall heat rate.

For more information on severe service solutions, see us at [www.fishersevereservice.com](http://www.fishersevereservice.com).

© Fisher Controls International LLC 2008 All Rights Reserved.

Fisher and Cavitol are marks owned by one of the companies in the Emerson Process Management business division of Emerson Electric Co. Emerson Process Management, Emerson, and the Emerson logo are trademarks and service marks of Emerson Electric Co. All other marks are the property of their respective owners.

The contents of this publication are presented for informational purposes only, and while every effort has been made to ensure their accuracy they are not to be construed as warranties or guarantees, express or implied, regarding the products or services described herein or their use or applicability. All sales are governed by our terms and conditions, which are available upon request. We reserve the right to modify or improve the designs or specifications of such products at any time without notice. Neither Emerson, Emerson Process Management, nor any of their affiliated entities assumes responsibility for the selection, use or maintenance of any product. Responsibility for proper selection, use, and maintenance of any product remains solely with the purchaser and end-user.

### **NORTH AMERICA**

**Emerson Process Management**  
Marshalltown, Iowa 50158 USA  
T 1 (641) 754-3011  
F 1 (641) 754-2830  
[www.EmersonProcess.com/Fisher](http://www.EmersonProcess.com/Fisher)

### **LATIN AMERICA**

**Emerson Process Management**  
Sorocaba, Sao Paulo 18087 Brazil  
T +(55)(15)238-3788  
F +(55)(15)228-3300  
[www.EmersonProcess.com/Fisher](http://www.EmersonProcess.com/Fisher)

### **EUROPE**

**Emerson Process Management**  
Cernay 68700 France  
T +(33) (0)3 89 37 64 00  
F +(33) (0)3 89 37 65 18  
[www.EmersonProcess.com/Fisher](http://www.EmersonProcess.com/Fisher)

### **MIDDLE EAST & AFRICA**

**Emerson FZE**  
Dubai, United Arab Emirates  
T +971 4 883 5235  
F +971 4 883 5315  
[www.EmersonProcess.com/Fisher](http://www.EmersonProcess.com/Fisher)

### **ASIA PACIFIC**

**Emerson Process Management**  
Singapore 128461 Singapore  
T +(65) 6777 8211  
T +(65) 6777 0947  
[www.EmersonProcess.com/Fisher](http://www.EmersonProcess.com/Fisher)

