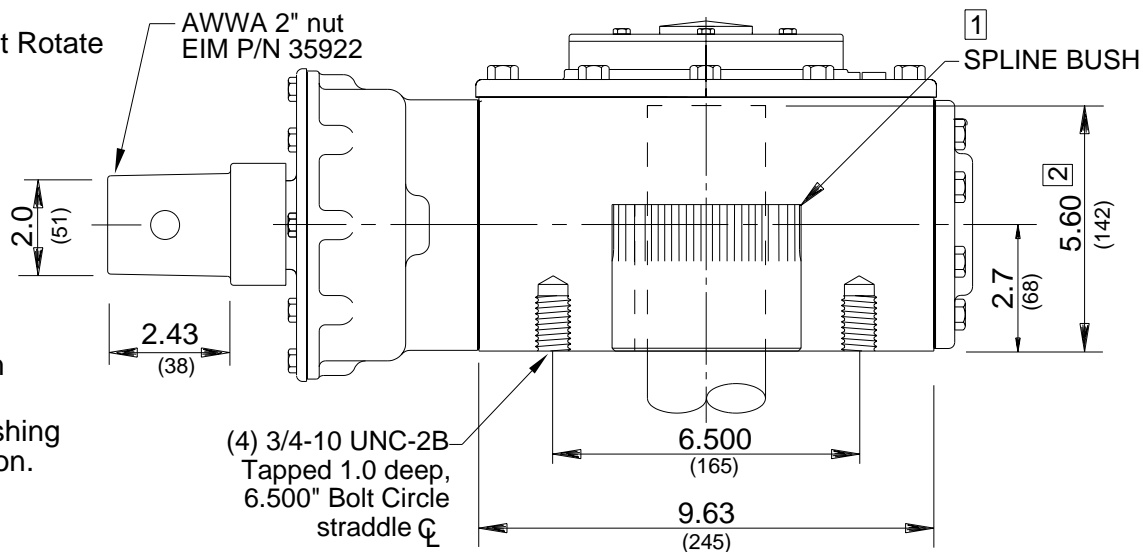


Note: Indicator Dial Does Not Rotate
Used As Cover Only



(4) 3/4-10 UNC-2B
Tapped 1.0 deep,
6.500" Bolt Circle
straddle ϕ

- 1 Spline Bush: Removable from the bottom of actuator. Refer to EIM Job Spec sheet for Bushing furnished for specific application.
- 2 Maximum Valve Stem Length
- 3 Stainless Steel Pin 3/8 X 2.00 EIM P/N 4043002073

INCHES .XXX ± .005"
(MILLIMETERS) .XX ± .020"
.X APPROX.

Special Note: Industry standards for manual actuators generally require Clockwise (CW) rotation of handwheel to close valve with Clockwise (CW) rotation of valve shaft. Special applications require Counter Clockwise (CCW) rotation of EIM input shastf, therefore, model WB41-B is made available for these requirements.

EIM EIM COMPANY, INC.
13840 PIKE ROAD
CONTROLS MISSOURI CITY, TX 77489

WB41-B 6.50"

A	2/6/02	14746	CML
REV	DATE	ERO	BY

OUTLINE NO. **72448-B A**