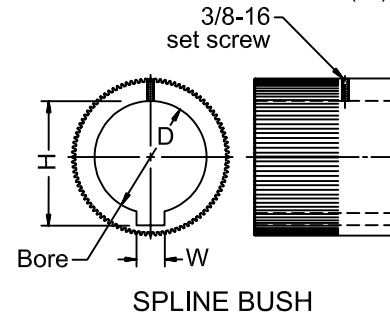
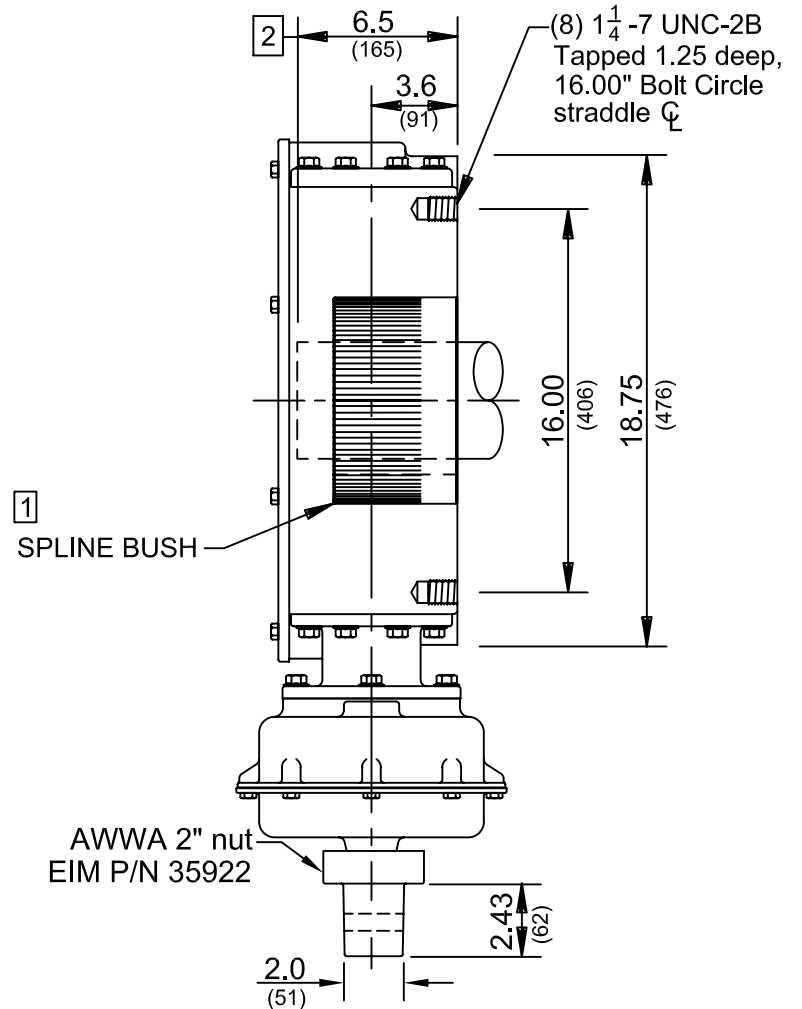
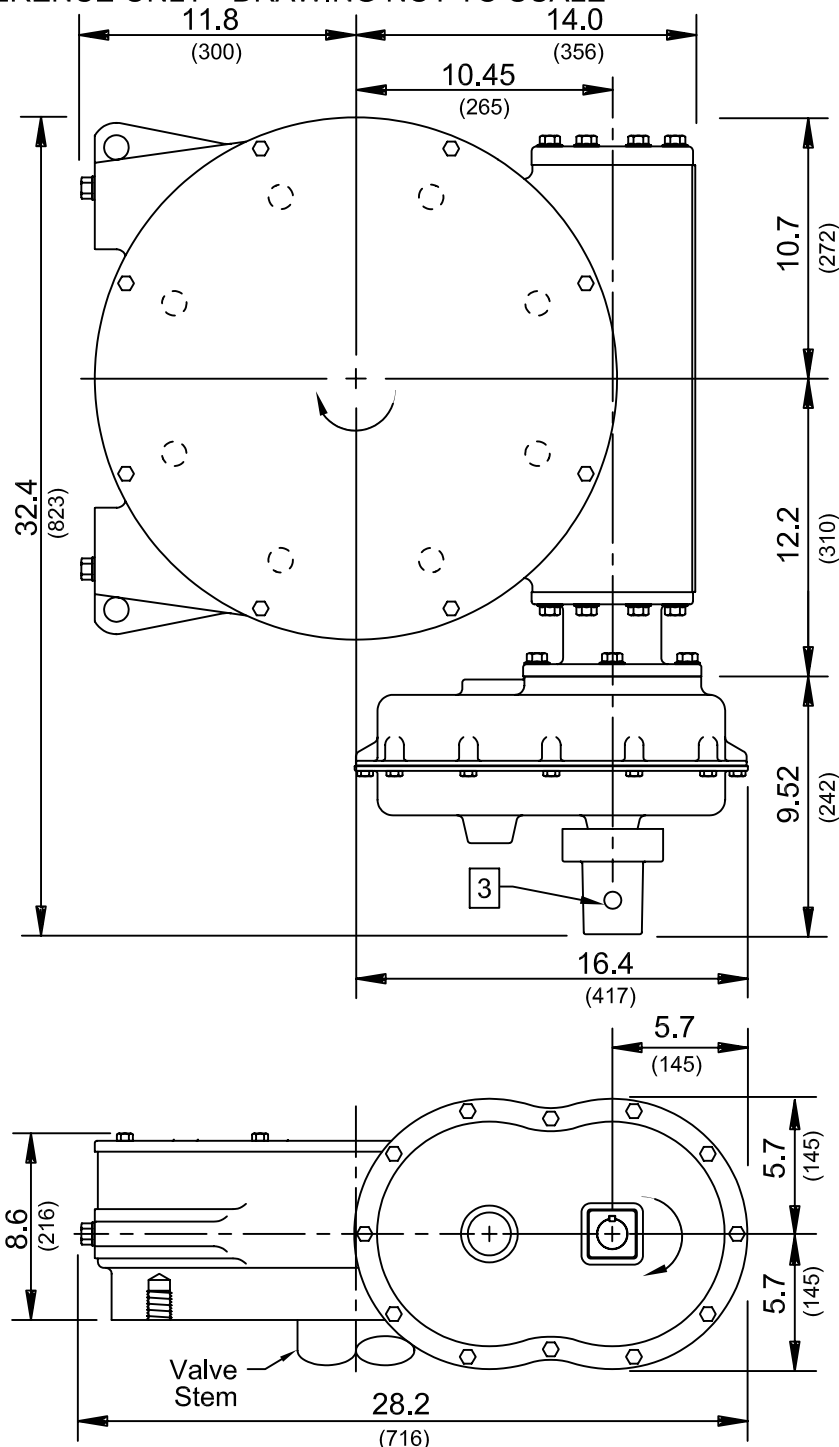


FOR REFERENCE ONLY - DRAWING NOT TO SCALE



- 1 Spline Bush: Removable from the bottom of actuator. Refer to EIM Job Spec sheet for Bushing furnished for specific application.
- 2 Maximum Valve Stem Length
- 3 Stainless Steel Pin 3/8 X 2.00 EIM P/N 4043002073
- 4) Approximate Weight 595 lbs.

Special Note: Industry standards for manual actuators generally require Clockwise (CW) rotation of handwheel to close valve with Clockwise (CW) rotation of valve shaft. EIM Model WB67-B has CW rotation of actuator input shaft for CW rotation of valve input shaft.

INCHES .XXX ± .005"
(MILLIMETERS) .XX ± .020"
.X APPROX.

EIM EIM COMPANY, INC.
13840 PIKE ROAD
CONTROLS MISSOURI CITY, TX 77489

WB67-B 16.00"

G	3/18/92	7790	CML
REV	DATE	ERO	BY

OUTLINE NO. 72233-B ^{REV} **G**