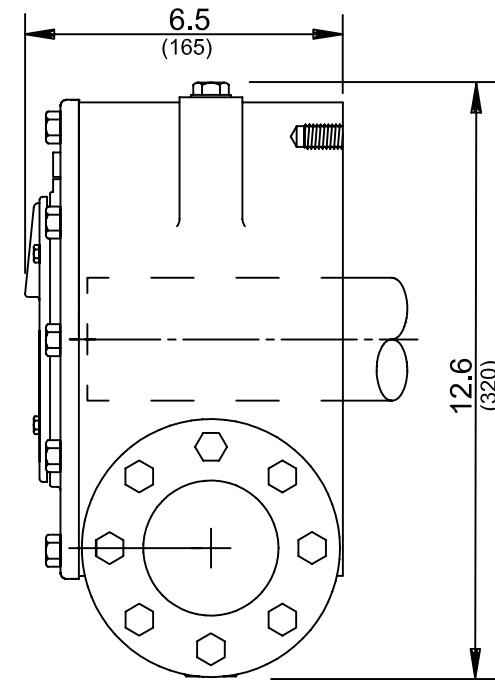
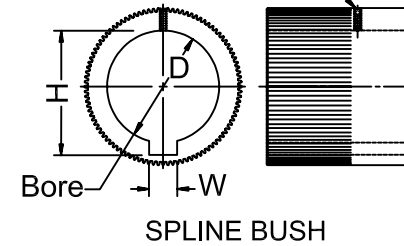
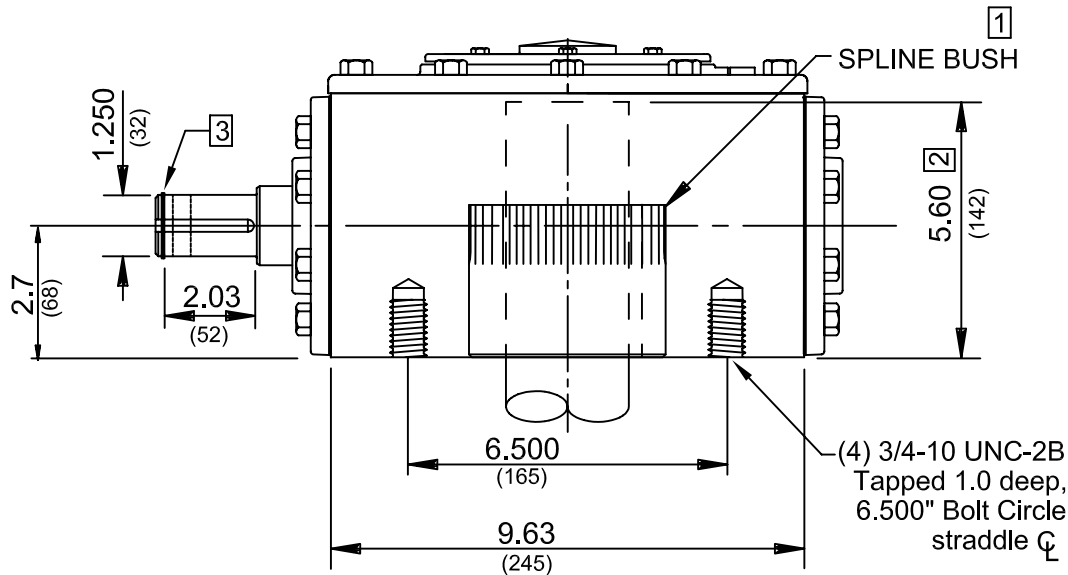


$\frac{1}{4}$  square key  
x 1.63 long



3/8-16  
set screw



- 1 Spline Bush: Removable from the bottom of actuator. Refer to EIM Spec Sheet for Bushing furnished for specific application.
- 2 Maximum Valve Stem Length
- 3 Retainer Ring 5100-125, EIM P/N 4060001125.

FOR REFERENCE ONLY - DRAWING NOT TO SCALE

Special Note: Industry standards for manual actuators generally require Clockwise (CW) rotation of handwheel to close valve with Clockwise (CW) rotation of valve shaft. EIM Model WO20-B has CW rotation of actuator input shaft for CW rotation of valve input shaft.

INCHES .XXX ± .005"  
(MILLIMETERS) .XX ± .020"  
.X APPROX.

**EIM** EIM COMPANY, INC.  
13840 PIKE ROAD  
CONTROLS MISSOURI CITY, TX 77489

**WO20-B 6.50"**

|     |         |       |     |
|-----|---------|-------|-----|
| A   | 1/15/98 | 10857 | CML |
| REV | DATE    | ERO   | BY  |

OUTLINE NO. **72379-B** <sup>REV</sup> **A**