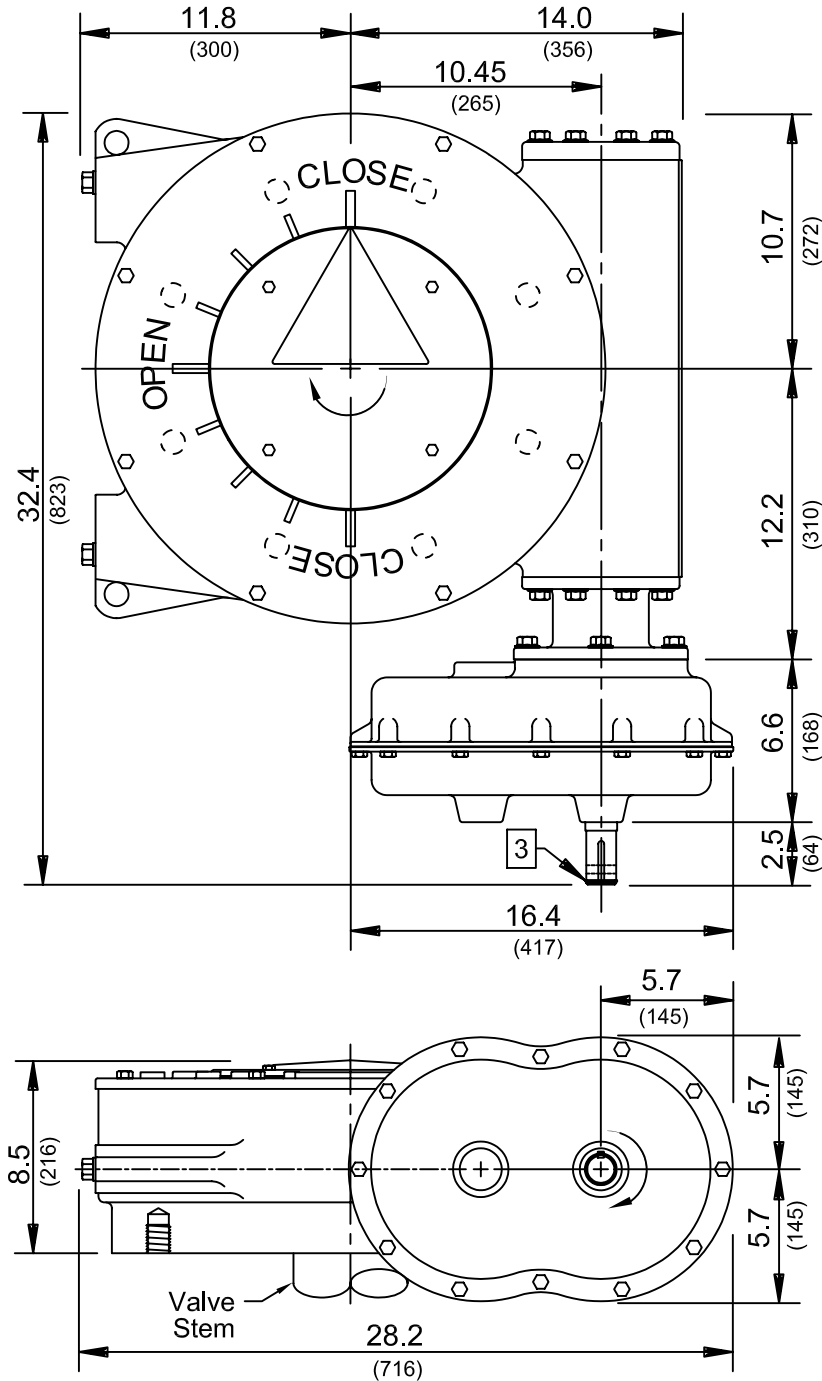
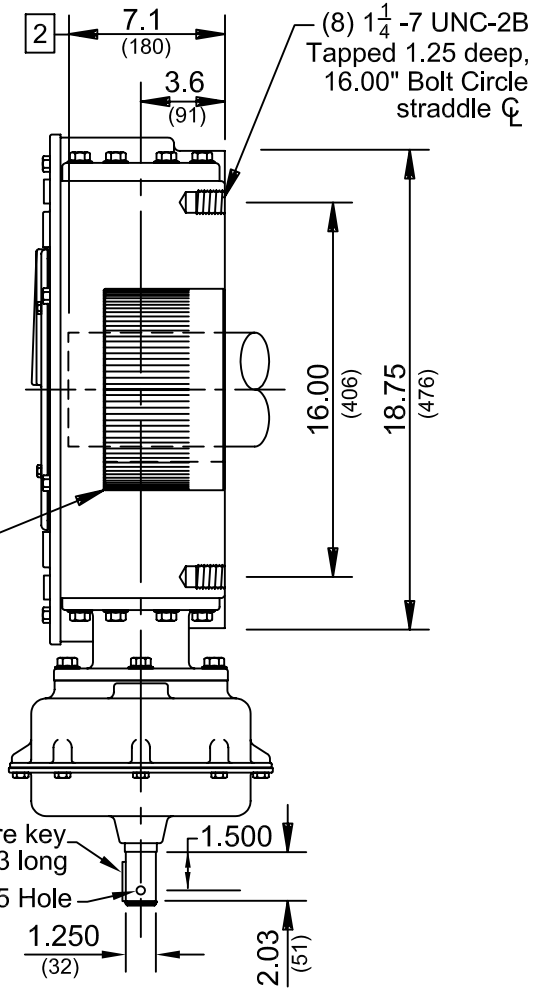


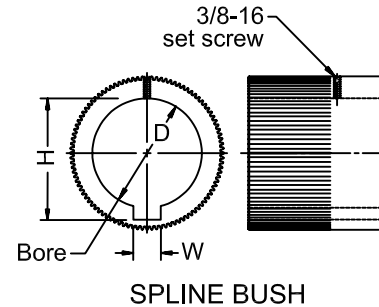
FOR REFERENCE ONLY - DRAWING NOT TO SCALE



1  
SPLINE BUSH



1/4 square key  
x 1.63 long  
.375 Hole  
1.250 (32)



- 1 Spline Bush: Removable from the bottom of actuator. Refer to EIM Job Spec sheet for Bushing furnished for specific application.
- 2 Maximum Valve Stem Length
- 3 Retainer Ring 5100-125, EIM P/N 4060001125.
- 4) Approximate Weight 590 lbs.

Special Note: Industry standards for manual actuators generally require Clockwise (CW) rotation of handwheel to close valve with Clockwise (CW) rotation of valve shaft. EIM Model WO67-B has CW rotation of actuator input shaft for CW rotation of valve input shaft.

INCHES .XXX ± .005"  
(MILLIMETERS) .XX ± .020"  
.X APPROX.

**EIM** EIM COMPANY, INC.  
13840 PIKE ROAD  
CONTROLS MISSOURI CITY, TX 77489

**WO67-B 16.00"**

E	11/19/90	7356	CML
REV	DATE	ERO	BY

**OUTLINE NO.: 72209-B**