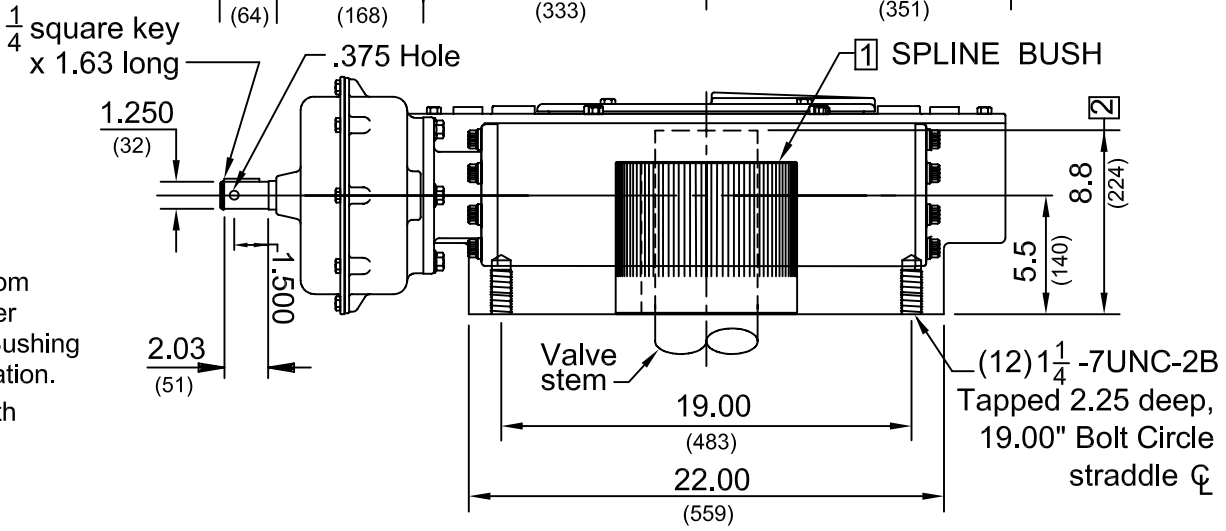
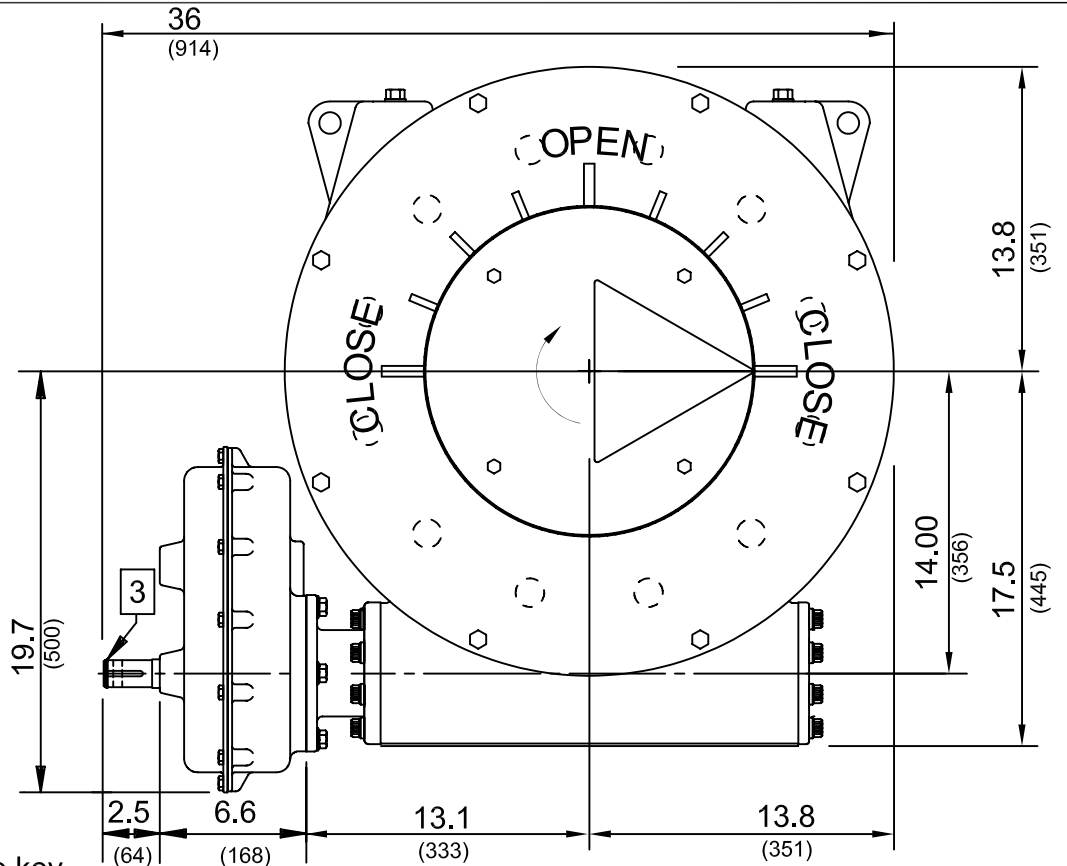


SPLINE BUSH

- 1) Spline Bush: Removable from the bottom of actuator. Refer to EIM Job Spec sheet for Bushing furnished for specific application.
- 2) Maximum Valve Stem Length
- 3) Retainer Ring 5100-125, EIM P/N 4060001125.
- 4) Approximate Weight 970 lbs.



FOR REFERENCE ONLY - DRAWING NOT TO SCALE

Special Note: Industry standards for manual actuators generally require Clockwise (CW) rotation of handwheel to close valve with Clockwise (CW) rotation of valve shaft. EIM Model WO74-B has CW rotation of actuator input shaft for CW rotation of valve input shaft.

INCHES .XXX ± .005"
 (MILLIMETERS) .XX ± .020"
 .X APPROX.

EIM EIM COMPANY, INC.
 13840 PIKE ROAD
 CONTROLS MISSOURI CITY, TX 77489

WO74-B 19.00"
OUTLINE NO.:72373-B ^{REV} **A**

A	7/15/96	10324	CL/LE
REV	DATE	ERO	BY