



MILLENNIUM Oxygen Gas Detector

User Manual

Models:

MLP-A/AR/AD-ST1400-25

&

(all available options)

ISO 9001:2000



Part Number: MAN-0060 Rev 04
August 2008

IMPORTANT INFORMATION

This manual is for informational purposes only. Although every effort has been made to ensure the correctness of the information, technical inaccuracies may occur and periodic changes may be made without notice. Net Safety Monitoring Inc., assumes no responsibility for any errors contained within this manual.

If the products or procedures are used for purposes other than as described in the manual, without receiving prior confirmation of validity or suitability, Net Safety Monitoring Inc., does not guarantee the results and assumes no obligation or liability.

No part of this manual may be copied, disseminated or distributed without the express written consent of Net Safety Monitoring Inc.

Net Safety Monitoring Inc., products are carefully designed and manufactured from high quality components and can be expected to provide many years of trouble free service. Each product is thoroughly tested, inspected and calibrated prior to shipment. Failures can occur which are beyond the control of the manufacturer. Failures can be minimized by adhering to the operating and maintenance instructions herein. Where the absolute greatest of reliability is required, redundancy should be designed into the system.

Warranty

Net Safety Monitoring Inc., warrants its ST1400 sensor against defective parts and workmanship for a period of 6 months from date of purchase; other electronic assemblies for 36 months from date of purchase.

No other warranties or liability, expressed or implied, will be honoured by Net Safety Monitoring Inc.

Contact Net Safety Monitoring Inc., or an authorized representative for details.

We welcome your input at Net Safety Monitoring. If you have any comments please contact us at the phone/address below or visit our web site and complete our on-line customer survey: www.net-safety.com.

Contact Information

Net Safety Monitoring Inc.
2721 Hopewell Place NE
Calgary, AB T1Y 7J7
Canada
Telephone: (403) 219-0688 Fax: (403) 219-0694
www.net-safety.com
E-mail: netsafe@net-safety.com

TABLE OF CONTENTS

Important Information

- Warranty
- Contact Information

Introduction	1
The Product	1
The Sensor	1
The Controller	1
The Manual	1
Step 1 — Plan	2
Locate Controller/Sensor	2
Figure 1: Locate Sensor/Controller	2
Figure 2: Dimensional Drawings	3
Step 2 — Install	3
Unpack	3
Figure 3: Components	3
Mount	4
Step 3 — Wire	4
Field Installation	4
Seal	4
Connecting Wires	4
Board Assembly	5
Figure 4: Millennium Module Boards	5
Figure 5: Wiring—Controller and Sensor	6
Sensor and Controller	6
Table 1: Controller/Sensor Connections	6
RS-485 Communication	6
Sensor Separation	7
Figure 6: Wiring—Sensor Separation	7
Non-Isolated/Isolated Wiring	8
Terminal Connection	8
Figure 7: Non-isolated Terminal Connection	8
Figure 8: Isolated Terminal Connection	8
Current Output	8
Figure 9: Jumper Positions	8
Remote Reset	9
Figure 10: Remote Reset	9

MODBUS Termination	9
Figure 11: Modbus Termination Jumpers	9
Step 4 — Operate	10
Figure 12: Controller Functionality	10
Table 2: Status LEDs, Display Messages and Current Loop	11
RTU Registers	11
Table 3: RTU Status Register (40002) Read Only (Binary)	11
Calibration Button	11
Magnetic Reed Switch	12
Power Up	12
Current Loop Measurement (Test Jacks)	12
Status LED	12
The Main Menu	12
Accessing the Main Menu	12
Main Menu Functionality	12
Step 5 — Calibrate	13
Calibration Procedure	13
Calibration Procedure	13
Figure 13: Calibration Procedure	13
Calibration Failure	14
Step 6 — Monitor	14
Review Relay Settings	14
Relay Options	15
Table 4: Default Relay Settings	15
Setting Relay Options	15
Modbus Options	16
Node Address	16
Baud Rate	16
Enter Restricted Menu	16
Set Low Power Options - Optional	16
Select Display Language	17
Alarms	17
Sensor Fault	17
Non-standard O2 Levels	17
Sensor Life	17
Reset	17
Manual Reset	17
Remote Reset	17

Outputs	18
Relays - Optional	18
Modbus	18
Current	18
Step 7 — Maintain	18
Periodic Response Check	18
Troubleshoot	18
How to Return Equipment	19
Spare Parts/Accessories	19
Table 5: Part Numbering	19
Face Rotation Option	19
Figure 14: Non-standard Orientations	19
Rotate PCB Assembly	20
Appendix A: Electrostatic Sensitive Device (ESD)	20
Appendix B: Resistance Table in OHMS	21
Appendix C: Specifications	22

INTRODUCTION

The Millennium series is Net Safety's latest innovation in a line of continuously evolving industrial gas detectors and sensors. The microcontroller based system provides fast, accurate and continuous monitoring of gases in extreme environments.

THE PRODUCT

The Sensor

The electrochemical sensor is a proven design ensuring an accurate and repeatable response within a detection range of 0 to 25% oxygen.

The Controller

The Millennium Controller has an explosion-proof Housing, rated Class 1, Division 1, Groups B, C, and D for hazardous applications. It was designed for either intrusive or non-intrusive calibration.

The Manual

The manual has been designed to make installation of the Millennium product easy. To ensure proper installation, follow the steps outlined in the following pages. If you encounter problems during operation, consult the troubleshooting section or contact your sales representative.

Step 1 — PLAN

Step 2 — INSTALL

Step 3 — WIRE

Step 4 — OPERATE

Step 5 — CALIBRATE

Step 6 — MONITOR

Step 7 — MAINTAIN

STEP 1 — PLAN

LOCATE CONTROLLER/SENSOR

Prior to the installation process, a location plan for placing the Controller and Sensor should be developed. Although there are no absolute rules for determining the quantity and location of a sensor or controller, the following points should be considered when planning the installation.

- Locate the Controller where it will be accessible and visible.
- Oxygen deficiency can be caused by O₂ consumption from such activities as chemical reactions or combustion and/or displacement by other gases.
- Use redundant systems to enhance protection and reliability.
- Consider air movement patterns within the facility.
- Seek advice from experts knowledgeable about the primary gas to be detected.
- Use common sense and refer to various regulatory publications that discuss general guidelines for your industry.

The two most common installation options are as follows.

Option 1

Locate Sensor separate from Controller using a certified (Net Safety Multi-purpose) Junction Box.

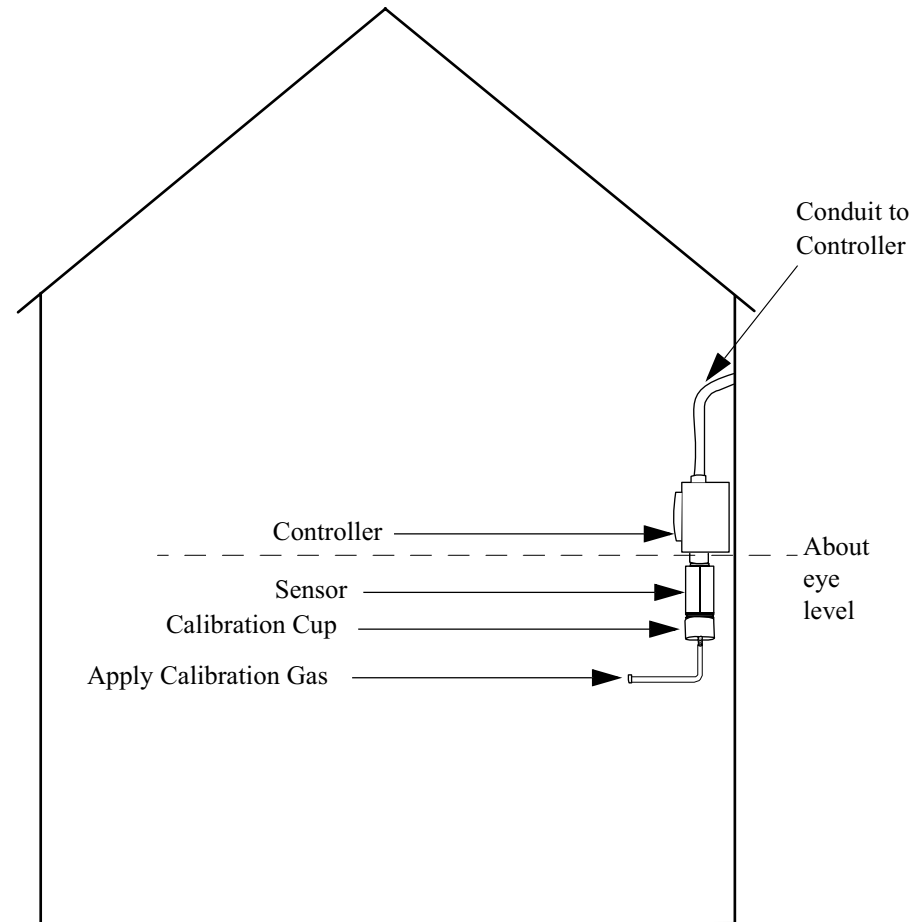
The Controller is located near eye-level. Conduit is run from the Controller to the Sensor. The Multi-purpose Junction Box is used to connect the conduit from the Controller to the Sensor. A Calibration Cup can be attached to the Sensor. Tubing can be run from the calibration cup to a convenient location accessible for calibration gas to be injected. Refer to MAN-0081 for Multi-purpose Junction Box Terminal designs.

Option 2

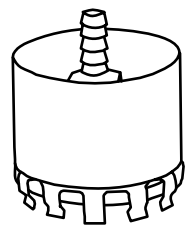
The Sensor is attached directly to the Controller. A Calibration Cup and tubing may also be used to facilitate calibration as in Option 1 above.

See "Sensor and Controller" on page 6 for detailed instructions.

Figure 1: Locate Sensor/Controller

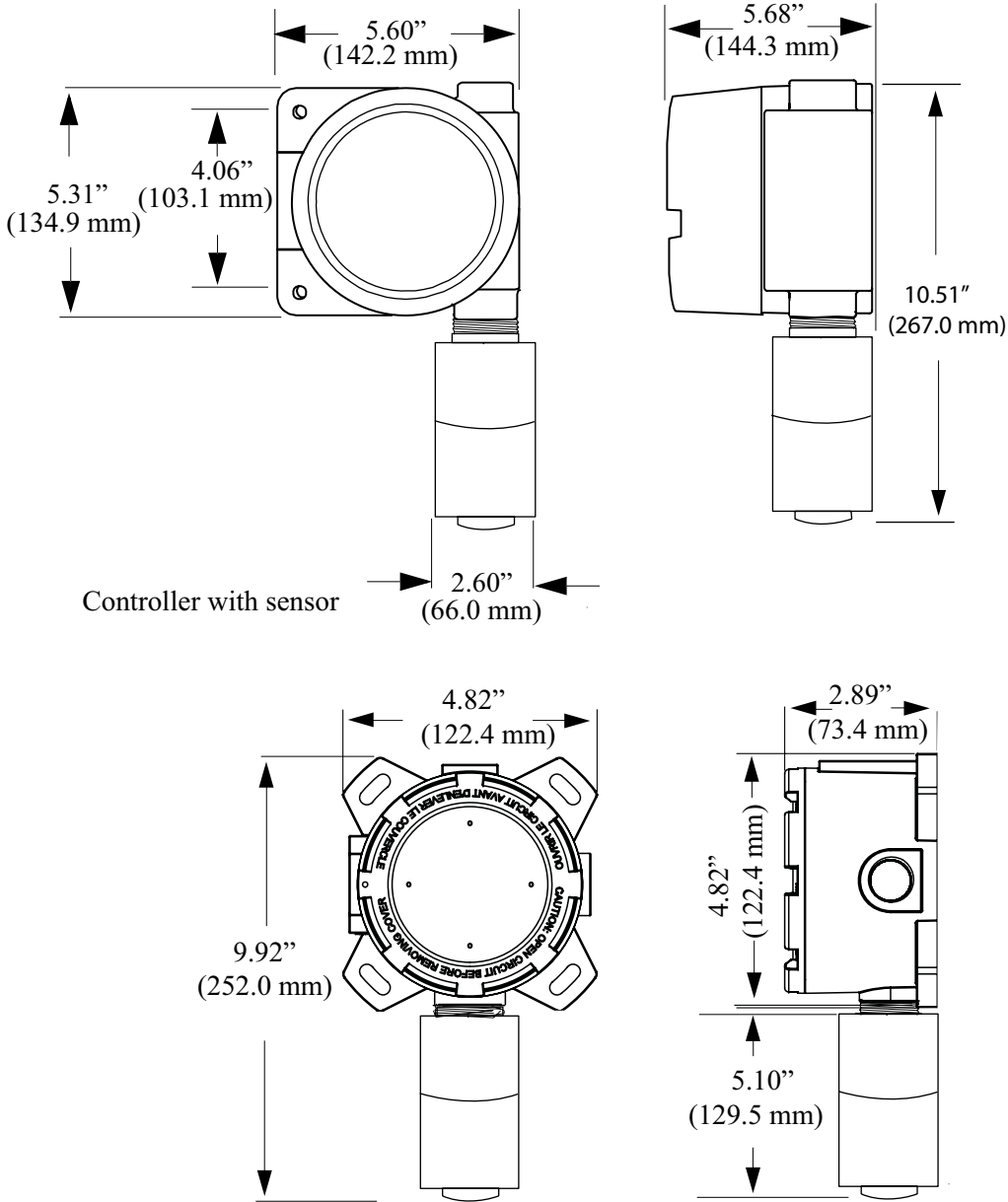


TIP: The Calibration Cup allows for tubing to be affixed to a Sensor mounted in remote locations. The tubing is directed to a level, usually close to the Controller, for easy injection of calibration gas. The Calibration Cup can also act as a splash guard, protecting sensors when mounted low to the ground.



CCS-1

Figure 2: Dimensional Drawings



Multi-purpose Junction Box with sensor

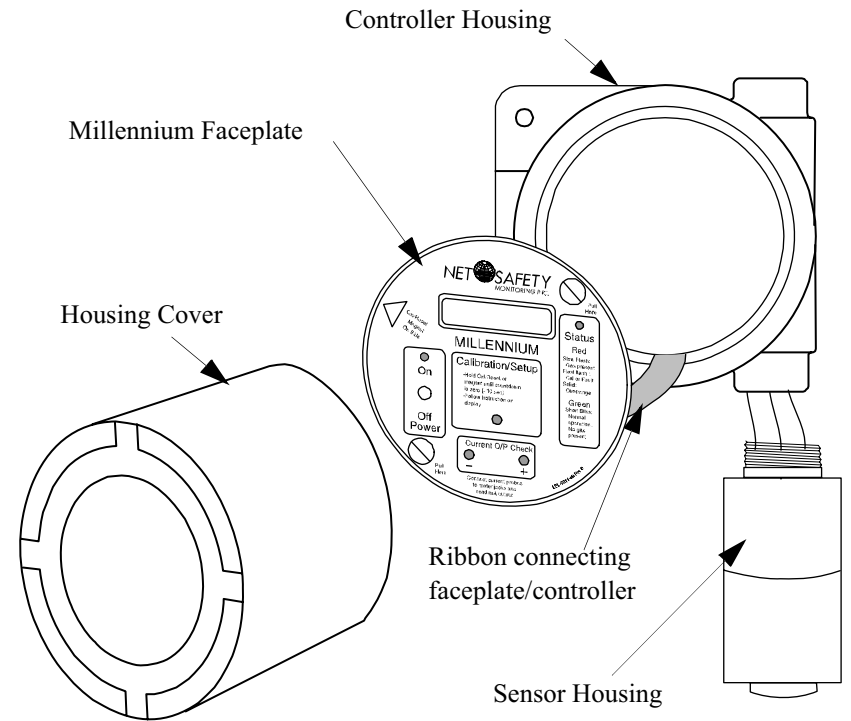
STEP 2 — INSTALL

UNPACK

Carefully remove all components from the packaging. Check components against the enclosed packing list and inspect all components for obvious damage such as broken or loose parts.

If you find any components missing or damaged, notify the representative or Net Safety Monitoring immediately.

Figure 3: Components



External Equipment

It is necessary that reliable monitoring and indicating devices or systems be connected to the transmitter. These devices must be designed to produce clear visual and audible danger signals when high signal levels occur.

Mount

The Controller is usually mounted near eye-level and be easily accessible for calibration and maintenance purposes. The Sensor should be placed where O₂ may build up or where other gases are likely to build up and displace O₂.

Ensure all devices are securely mounted, taking into consideration all requirements.

Use the Face Rotation Option to mount the Millennium Controller at a different orientation (refer to "Face Rotation Option" on page 19 for detailed instructions).

STEP 3 — WIRE

FIELD INSTALLATION

WARNING: Wiring codes and regulations may vary. Compliance with regulations is the responsibility of the installer. Wiring must comply with applicable regulations relating to the installation of electrical equipment in a hazardous area. If in doubt, consult a qualified official before wiring the system.

- If the 4-20 mA signal is not used, connect a jumper between the 4-20 terminal and the Common terminal.
- The use of shielded cable is highly recommended for signal, input, output and power wires to protect against interference caused by extraneous electrical or electromagnetic 'noise'.
- In applications where the wiring cable is installed in conduit, the conduit must not be used for wiring to other electrical equipment.
- The maximum distance between the Sensor and Controller is limited by the resistance of the connecting wiring, which is a function of the gauge of the wire being used (refer to "Resistance Table in OHMS" on page 21).
- When developing a RS-485 chain of devices, the last device in the chain requires end of line termination.
- RS-485 connection 2-wire, multipoint serial line.

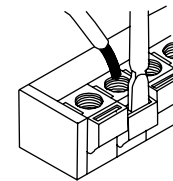
SEAL

- Water-proof and explosion-proof conduit seals are recommended to prevent water accumulation within the enclosure.
- Seals should be located as close to the device as possible and not more than 18 inches (46 cm) away.
- Explosion-proof installations may require an additional seal where conduit enters a non-hazardous area. Ensure conformity with local wiring codes.
- When pouring a seal, use a fibre dam to assure proper formation of the seal. Seals should never be poured at temperatures below freezing.
- The jacket and shielding of the cable should be stripped back to permit the seal to form around the individual wires. This will prevent air, gas and water leakage through the inside of the shield and into the enclosure.
- It is recommended that explosion-proof drains and conduit breathers be used. In some applications, alternate changes in temperature and barometric pressure can cause 'breathing' which allows moist air to enter and circulate inside the conduit. Joints in the conduit system are seldom tight enough to prevent this 'breathing'.

Note: Seals are not required for all Class 1 Division 2 locations in Canada. However, to fully avoid any exposure, the use of seals are still recommended, especially for installations that use high-pressure or steam cleaning devices in proximity to the controller and/or sensor.

Connecting Wires

1. Use a small screw driver to gently press down and hold the spring connector open.
2. Insert appropriate wire into open connector hole.
3. Release screw driver to secure wire.



Board Assembly

There are three different fixed boards, two optional relay boards and an optional Modbus board which make up the PCB Assembly. Depending upon requirements, either a Electromechanical or Solid State Relay Board module can be used. Boards are field replaceable. Simply loosen the three locking standoffs, remove one board, insert the other board and tighten screws.

Note: Boards are susceptible to ESD. Refer to Appendix A, "Electrostatic Sensitive Device (ESD)", on page 20.

Figure 4: Millennium Module Boards

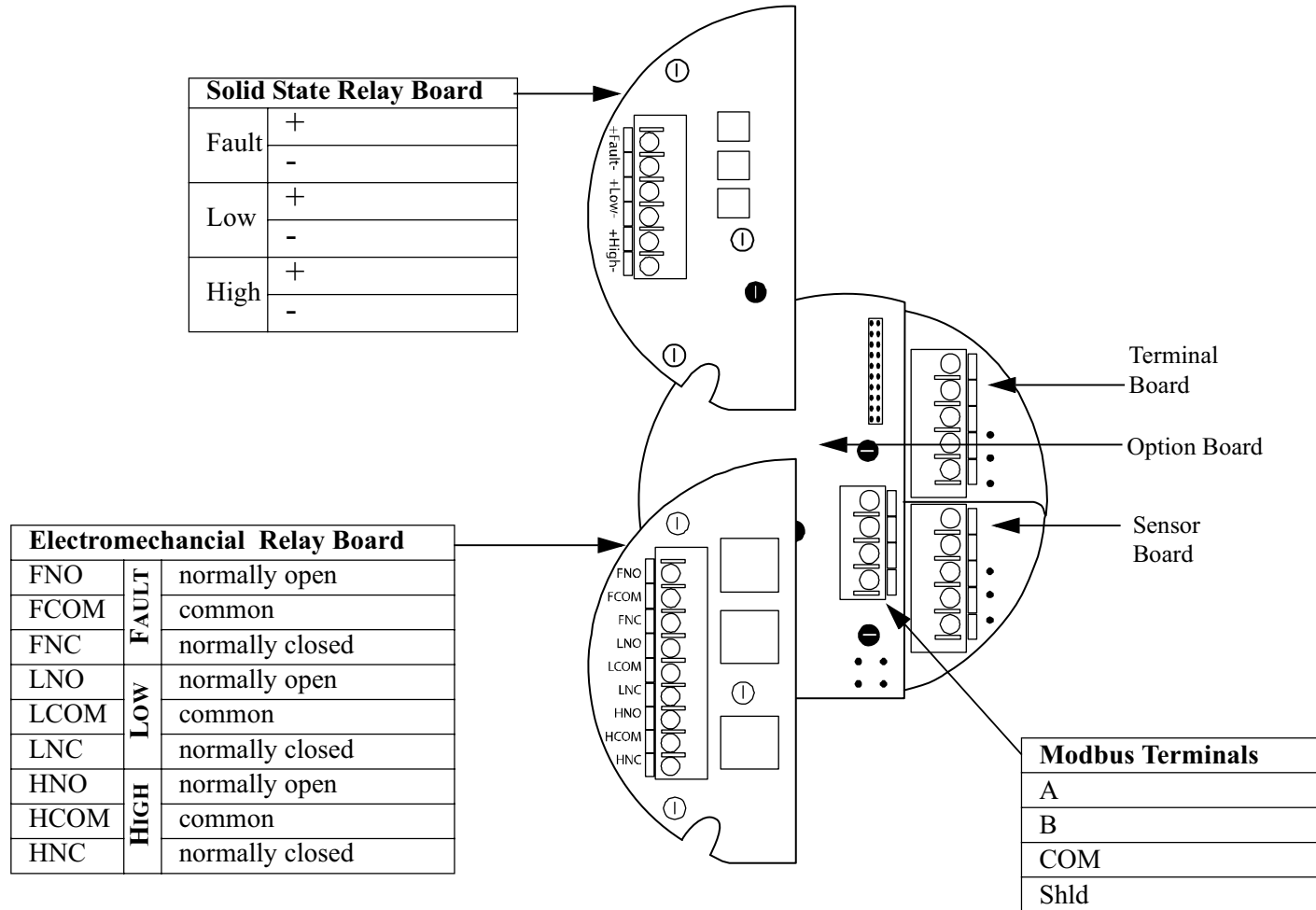
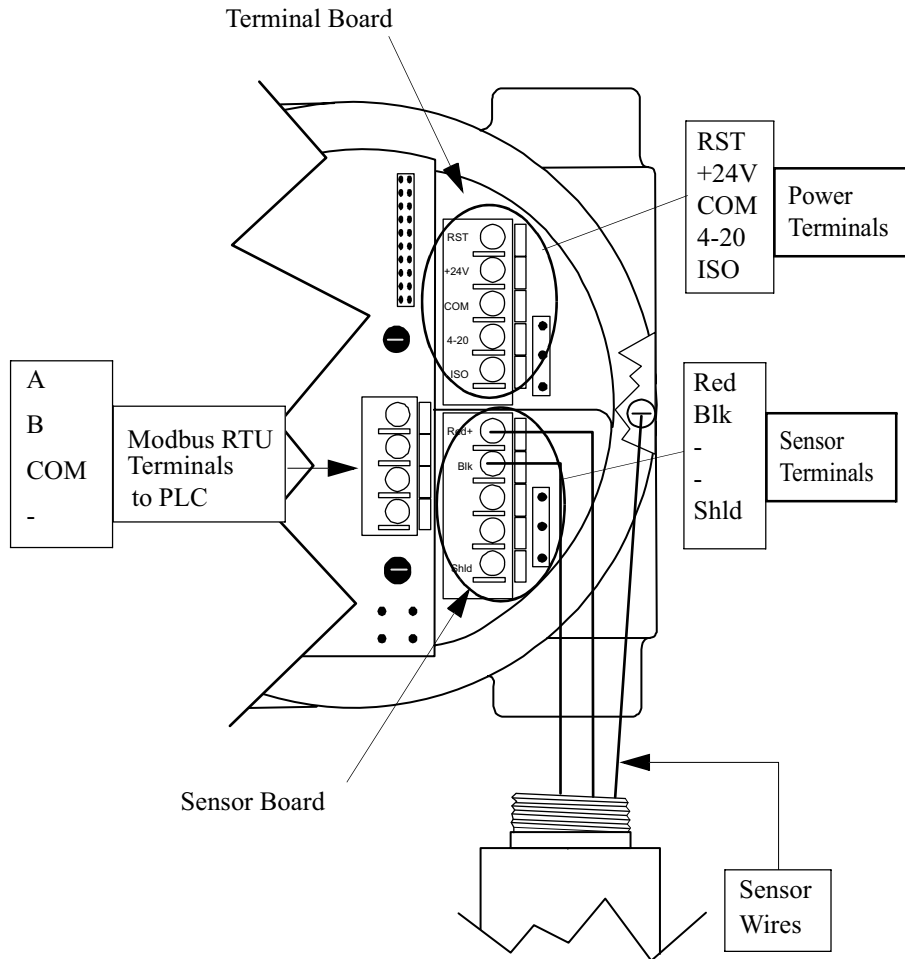


Figure 5: Wiring—Controller and Sensor



Note: If the 4-20 mA signal is not used, connect a jumper between the 4-20 terminal and the COM terminal on the Terminal Board.

SENSOR AND CONTROLLER

WARNING:

Power to the unit must be OFF before wiring.

Note: The Sensor may be factory installed to the Controller. If so, you need only connect the Power Terminals.

1. Remove the Controller's Housing Cover.
2. Connect the Sensor to the Sensor Terminals (if necessary) and the Output Terminals to the output signal wires.

Table 1: Controller/Sensor Connections

Sensor Board Terminals		Terminal Board Power	
Sensor Wire	Controller (Sensor Board)	Controller (Terminal Board)	Power Connections
Red	= Red (+24 V)	RST	= Remote Reset
Black	= Blk (Sig)	+24V	= Power (+)
	-	COM	= Power (-)
	-	4-20	= Current Loop Output
Shield	= Shld	ISO	= +24 V isolated 4-20 power

Note: For Sensor Separation instructions, see Figure 6, "Wiring—Sensor Separation", on page 7.

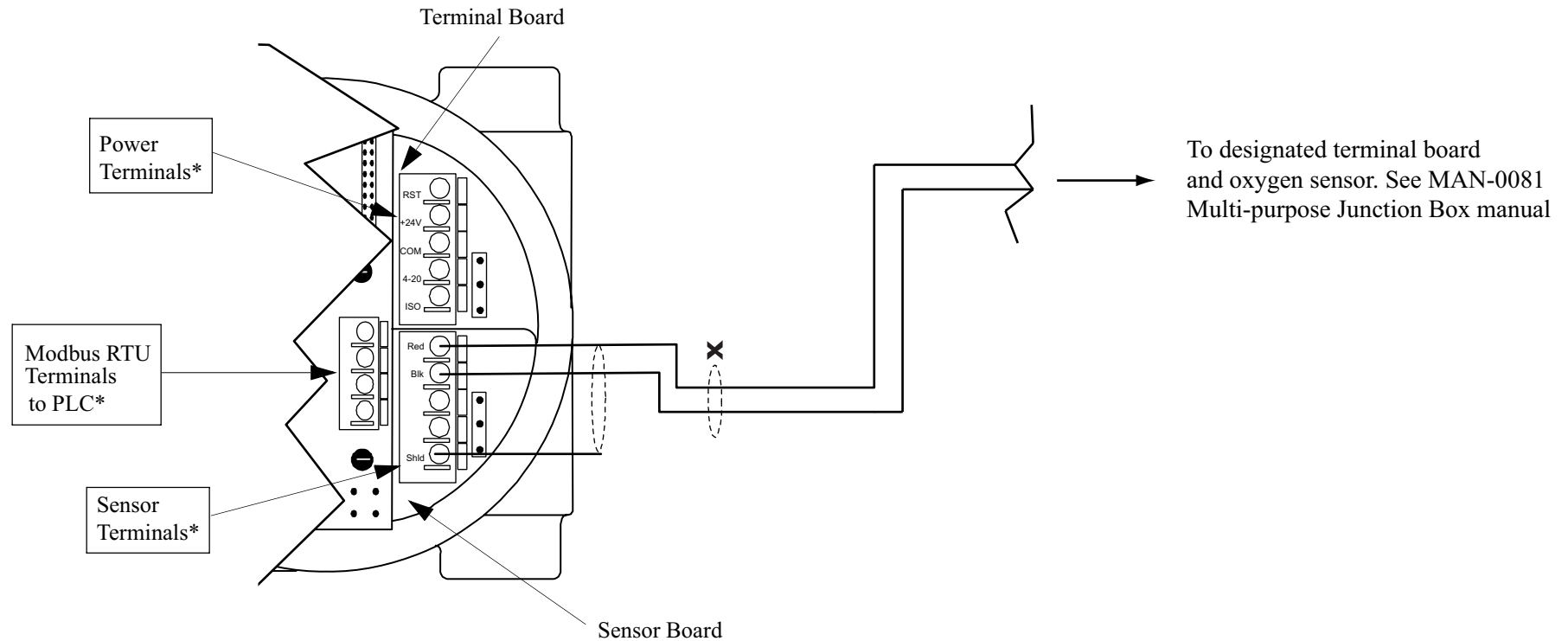
3. Replace the Controller's Housing Cover.
4. Turn Controller On.
5. Ensure display reads Start Delay , Status LED is Red Slow Flash and current output displays 3.0 mA. This is the start-up delay sequence which will last approximately 90 seconds.

RS-485 Communication

Connect devices in a chain via the Modbus terminals. The last device in the chain requires end of line termination (refer to "MODBUS Termination" on page 9).

SENSOR SEPARATION

Figure 6: Wiring—Sensor Separation



As the Sensor must be located in one location and the Controller in a location where it can be easily reached, it is often necessary to “separate” the Controller and Sensor.

The Sensor separation kit (SEP) is composed of a junction box and terminal strip. Refer to the Net Safety Multi-purpose Junction Box manual (**MAN-0081**) for terminal designation when wiring for sensor separation.

Shielded copper instrument wire (minimum 18 AWG) should be used for separations up to 500 feet. Shielded copper instrument wire (minimum 16 AWG) should be used for separations up to 2000 feet. Consult the factory if a greater separation distance is required.

Ensure that the appropriate wire is used for Class 1/Division 1 hazardous applications.

Note: If the 4-20 mA signal is not used, connect a jumper between the 4-20 terminal and the COM terminal on the Terminal Board.

NON-ISOLATED/ISOLATED WIRING

Terminal Connection

Figure 7: Non-isolated Terminal Connection

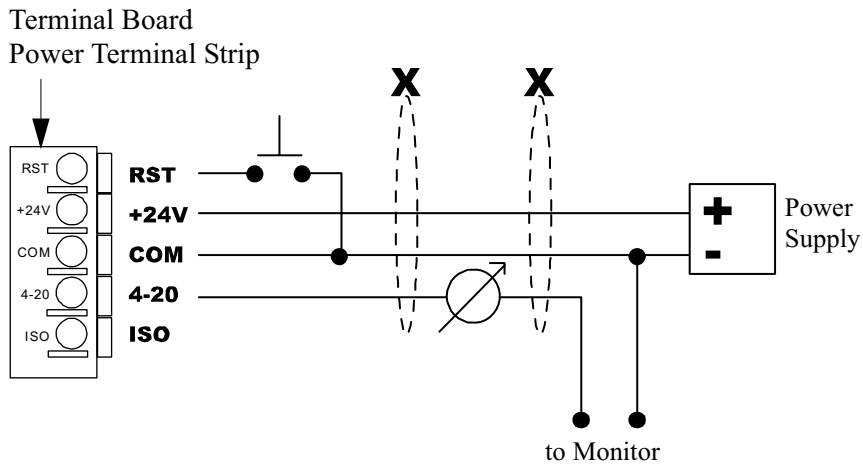
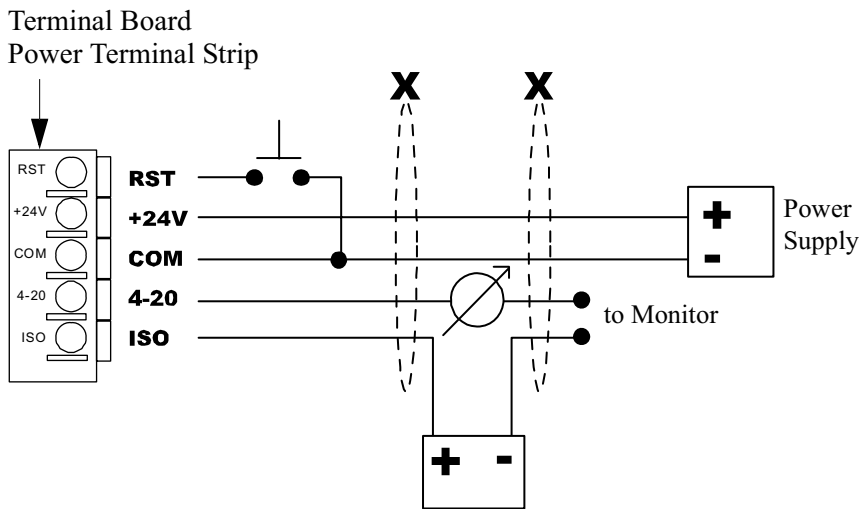


Figure 8: Isolated Terminal Connection

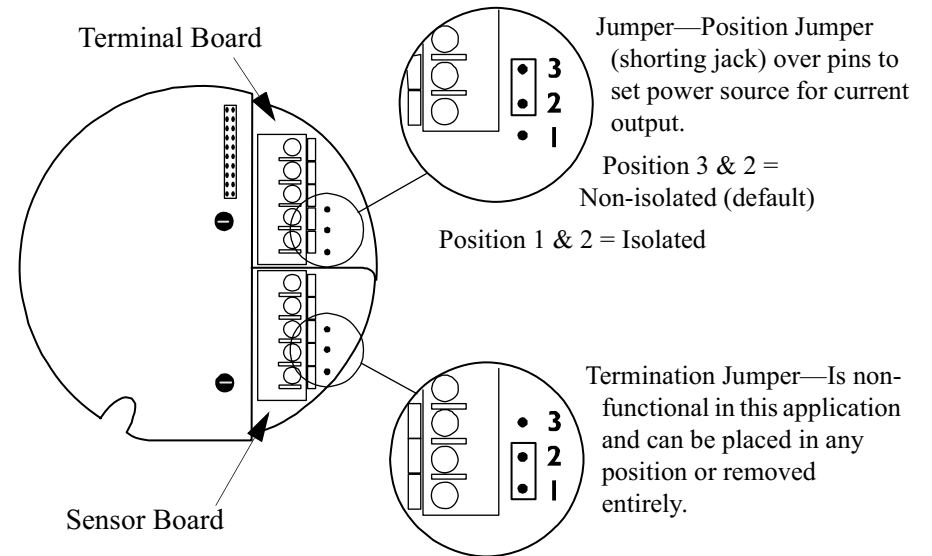


Current Output

To set an isolated current output, simply move the Jumper (shorting jack) to the isolated current position (refer to Figure 9, "Jumper Positions", on page 8).

Note: Unless otherwise specified, all models ship with non-Isolated current output.

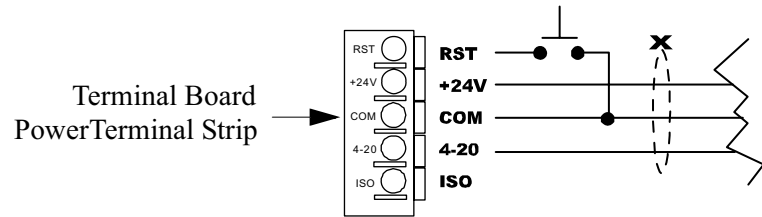
Figure 9: Jumper Positions



REMOTE RESET

The Millennium can be set for remote reset. A normally open Push Button Switch must be connected between the RST and the COM terminals on the Terminal Board and the Relay Option Latch Status must be set to Latching .

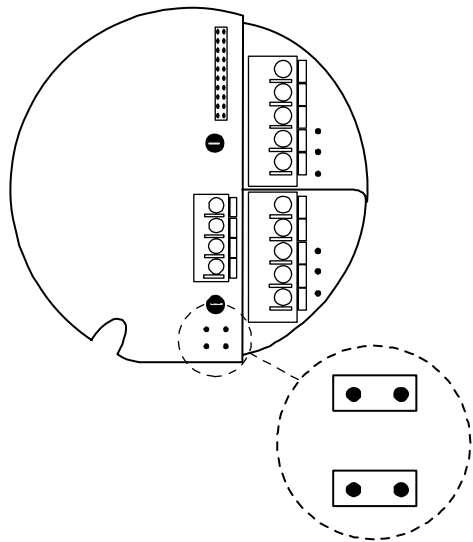
Figure 10: Remote Reset



MODBUS TERMINATION

Devices are networked in a daisy chain. The device located at the end of the chain requires end of line termination. Place both jumpers over the pins, as shown in Figure 11, "Modbus Termination Jumpers", on page 9, for end of line termination.

Figure 11: Modbus Termination Jumpers



STEP 4 — OPERATE

The Controller faceplate contains most functional elements of the user interface. Below is a description of that functionality.

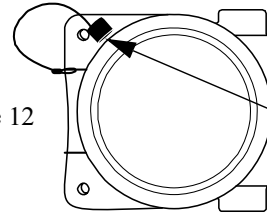
Figure 12: Controller Functionality

Magnetic Reed Switch - provides non-intrusive access for programming, calibrating and resetting.

-Place magnet against Housing (where indicated) for less than one second to initiate a basic system reset (clear a latched alarm) and make selections.

-Place magnet against Housing (where indicated) and hold to program, view current settings and calibrate.

Refer to "Magnetic Reed Switch" on page 12 for further information.



ON/OFF Switch - used to turn Controller on and off. Housing must be removed to access.

Pull Here knob - unscrew the two screws and pull to remove faceplate. Removal allows access to PCBs. The faceplate remains attached by the ribbon cable.

Current Test Jacks - to take current loop measurements use the following procedure:

- Insert your current meter leads into the Test Jacks.
- Set external devices to bypass, if necessary, to avoid unwanted alarm response
- Review current loop measurements.

Refer to "Current Loop Measurement (Test Jacks)" on page 12 and Table 2, "Status LEDs, Display Messages and Current Loop", on page 11.

Scrolling 8-character display - provides various status messages and prompts. Refer to "Status LEDs, Display Messages and Current Loop" on page 11.

Pull Here knob - unscrew the two screws and gently pull to remove faceplate. Removal allows access to terminal boards. The faceplate remains attached by the ribbon cable.

Status Light (Red and Green) - indicates status of unit. Refer to "Status LEDs, Display Messages and Current Loop" on page 11 for detailed explanation of states/status.

Calibration Button - provides intrusive access for programming, calibrating and resetting.

-Push for less than one second to initiate a basic system reset (clear a latched gas alarm) and make selections.

-Push and hold to program, view current settings and calibrate.

Refer to "Calibration Button" on page 11 for further information.

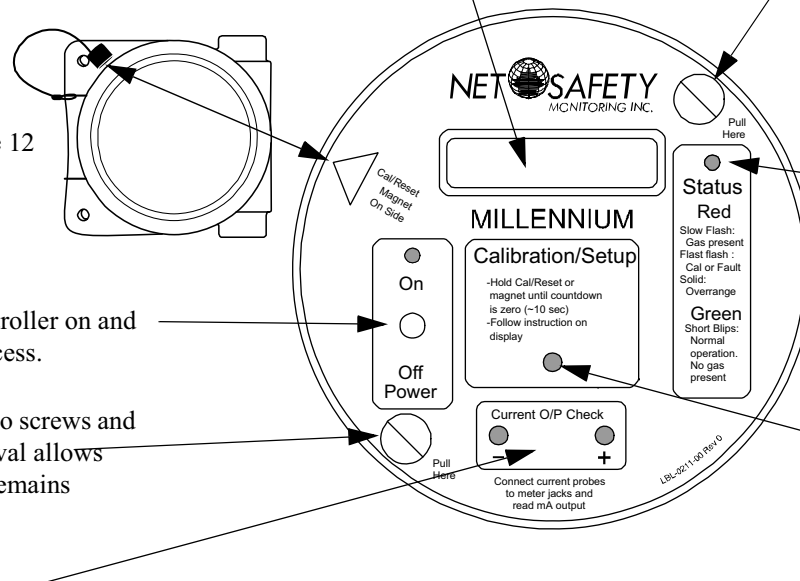


Table 2: Status LEDs, Display Messages and Current Loop

State	Current O/P	Status LED		Display
		RED	GREEN	
Options Review/Settings	3.0 mA	n/a		n/a
Standard level of Oxygen present	17.4 mA	Blip/blink		20.9 %O2
Start-up delay (90 sec)	3.0 mA	Slow flash		Start Delay
Access Main Menu	3.0 mA	n/a		Switch On 10-0
Memory Error (contact factory)	2.5 mA	Slow flash		Memory Error
Black or Red Sensor lead open	2.5 mA	Slow flash		Sensor Fault
Auto zero set	3.0 mA		Solid	Apply Clean Air
Apply calibration gas	3.3 mA	Fast flash		Apply 20.9% O2
Span is set, remove gas	3.6 mA		Solid	Remove gas
Low alarm set point	-	Flash		XX Low Alarm
High alarm set point	-	Flash		XX High Alarm
Non-standard levels of Oxygen present	>17.4 mA or <17.4 mA	Blip/blink		% O2 shown left side display
Calibration procedure failed/Sensor failed	3.0 / 3.3 mA	Flash	Flash	Fail Cal
Over 25% Range	20 mA	Solid		<25%O2

RTU Registers

Register 40001 = % output (read only)

Register 40002 = RTU Status (read only)

Register 40101 = Reset latched relays (write)

Table 3: RTU Status Register (40002) Read Only (Binary)

RTUstat_fault	0x0001	(fault sensor...)
RTUstat_low_alarm	0x0002	low alarm tripped
RTUstat_high_alarm	0x0004	high alarm tripped
RTUstat_low_alarm_latched	0x0008	low alarm latched
RTUstat_high_alarm_latched	0x0010	high alarm latched
RTUstat_powerUp	0x0080	power up delay
RTUstat_cal_cycle	0x0100	calibration cycle in progress
RTUstat_zeroing	0x0200	
RTUstat_apply_span_gas	0x0400	
RTUstat_calibrating	0x0800	
RTUstat_remove_gas	0x1000	
RTUstat_cal_complete	0x2000	
RTUstat_mem_error	0x4000	memory error

Calibration Button

The Calibration Button provides access to the Millennium's Main Menu, which in turn allows calibration and options to be reviewed and set. Refer to Figure 12, "Controller Functionality", on page 10 for more information.

- **Press and hold** the Calibration Button to Calibrate and access Main Menu.
- **Briefly press** to make a selection (select YES?).

WARNING:

Opening the Controller's Housing should be avoided when the presence of gas is possible (when in a hazardous environment). Do not power up the system, with the Housing removed, unless the area has been de-classified.

Magnetic Reed Switch

The Magnetic Reed Switch is provided to avoid opening the Housing in an environment where gas may be present. The Magnetic Reed Switch functions in the same manner as the Calibration Button but in a non-intrusive manner. Refer to Figure 12, "Controller Functionality", on page 10 for more information.

Attached to the side of the Controller is a magnet:

- **Place and hold** the magnet to the Controller's Housing (10 o'clock position) to Calibrate and access Main Menu.
- **Briefly place** the magnet to the Controller's Housing (10 o'clock position) to make a selection (select YES?).

Power Up

Turn power switch On. A 90 second warm-up routine will begin. The display reads Start Delay Millennium Net Safety , Status LED is Red Slow Flash and current output displays 3.0 mA.

When power is applied, the system is automatically tested to ensure proper functionality.

After warm-up, the Controller will enter normal operation, the display reads %O₂, Status LED will Green Blip/blink and analog output will change to 4.0 mA.

Current Loop Measurement (Test Jacks)

Use a standard meter to measure current loop during various states. The Controller's Housing cover must be removed to access the Test Jacks.

Refer to Table 2, "Status LEDs, Display Messages and Current Loop," on page 11 for a detailed list and Figure 12, "Controller Functionality", on page 10 for more information.

Status LED

The Status LED will remain solid, flash, blip and/or blink, in either Red or Green, to indicate various states. Refer to Table 2, "Status LEDs, Display Messages and Current Loop," on page 11 for a detailed list.

THE MAIN MENU

The Main Menu provides access to various functional settings and viewing of current settings.

- Calibrate Sensor - Calibrate sensor.
- Review Relay Settings - Review the current Fault, Low and High alarm settings. This is a read only section.
- Set Relay Options - Set the Low and High alarm settings.
- Select Modbus Options.
- Restricted Menu - Select low power options.
- Select a display language - English, Spanish or French.

Note: The current output will drop to 3.0 mA while in the Main Menu.

Accessing the Main Menu

There are two ways to activate the Main Menu:

- Calibration Button found on the faceplate (the Housing cover must be removed to access)
- Magnetic Reed Switch (a magnet must be used to activate)

Main Menu Functionality

1. Ensure that the Controller has been turned on and no fault is present.
2. Hold the magnet against the Reed Switch or press and hold the Calibration Button until the message Switch On displays and the countdown (10 to 0) finishes.
3. An option will scroll across the display followed by the prompt YES? .
4. To select an option, momentarily place the magnet to the Reed Switch or press the Calibration Button at the YES? prompt.
5. If you do not wish to select that option wait until the next option appears and then select YES? .
6. A selection is acknowledged with a flashing YES .
7. If no option is selected, the Controller returns to 0 (normal operation).

STEP 5 — CALIBRATE

CALIBRATION PROCEDURE

WARNING: The calibration procedure requires about 5 minutes to complete. If gas is not applied at the appropriate time, a calibration failure may occur (refer to "Calibration Failure" on page 14 for specific information).

For accurate performance, the concentration of gas, corresponding to 0 to 25% oxygen is converted to a linear 4 to 20 mA output signal which can be powered from the primary dc supply of the instrument. Power up the unit for at least 4 hours BEFORE first calibration.

The following calibration procedure should be followed to ensure an accurate correlation between the 4 to 20 mA output signal and the gas concentration.


Calibration Procedure

1. Confirm successful power up of Controller—LED Green Blip/blink every 2 seconds; no fault indicated.
2. Flow certified ZERO AIR at a rate of 0.5 litres per minute through the calibration cup for 1 minute to ensure clean air environment.
3. Use the Calibration Button or Reed Switch to access the Main Menu and wait for countdown to complete.
4. When Calibrate Sensor YES? displays, use the Calibration Button or Reed Switch to select YES?
Selection will be confirmed by a flashing YES .
5. When Apply Clean Air displays apply clean air.
6. When Apply 20.9% O2 displays, apply O2 at a rate of 0.5 litres per minute using the calibration cup.
7. The display will show Calibrating as the internal settings are being modified (current loop 3.3 mA).
8. Remove span gas when the message Remove Gas displays (Status LED Green solid and 3.6 mA output).
9. The message Cal Complete will display when calibration is complete.
10. Apply zero gas (clean air) again to purge system.

Note: Always apply test gas after calibration to verify operation.

Figure 13: Calibration Procedure

Display Shows	Calibrate Sensor YES?	Apply Clean Air	Apply 20.9% O2	Calibrating	Remove Gas	Cal Complete
Action	Select YES?	Apply clean (zero air)	Apply O2		Remove gas	



Calibration Failure

If the calibration procedure fails, the display shows Fail Cal , the Status LED alternates Red and Green flashes and the analog output changes back and forth from 3.0 to 3.3 mA.

The unit remains in a failed state until manually reset. After the Manual Reset, the unit will return to normal operation based on previous calibration values. Refer to "Manual Reset" on page 17 for instructions.

STEP 6 — MONITOR

REVIEW RELAY SETTINGS

This is a **read-only mode**; changes cannot be made.

- Step 1:** Press and hold the Calibration Button or the magnet to the Reed Switch to enter the Main Menu; wait for the countdown, from 10 to 0, to end.
- Step 2:** When Review Relay Settings displays press the Calibration Button or use the Reed Switch to select. The flashing YES confirms the selection.
- Step 3:** The Fault Alarm is **fixed** (Energized / Non-Latching) and displays first. Then the Low Alarm level, coil and latch status display, followed by the High Alarm level, coil and latch status.
- Step 4:** At this point, the option to Set Relay Options YES? is displayed.

RELAY OPTIONS

Use to set the alarm level, coil status and latch status for the Low and High relays (Fault Alarm is fixed).

The following table describes the default settings for the sensor.

Table 4: Default Relay Settings

Millennium Model Number	Alarm Levels			Relay Coil Status			
	Low	High	Fault	Latching	Non Latching	Energized	De-energized
MLP-A/AR/AD-ST1400 (25%range)	20%	22%	Energized /Non-latching		*		*

Setting Relay Options

There are two settings for Relay Options: Low and High. The Fault Relay is fixed as Energized/Non-latching and cannot be changed. The low alarm level, coil energization and latch status for low alarm are set first; high alarm level, coil energization and latch status for high alarm are then set. All ranges are in 10 to 25%. Low Alarm levels and High Alarm levels will display if reached.

- Step 1:** When Set Relay Options YES? displays press the Calibration Button or use the Reed Switch to select. The flashing YES confirms the selection.
- Step 2:** The message Set Low displays. Low alarm set-points are displayed in increments of 1, beginning at 10 and **cannot be set above 20**.
- Step 3:** When the required level displays, press the Calibration Button or use the Reed Switch to select. The level chosen will flash to confirm the selection.
- Step 4:** The message Coil Status displays. The display then shows Energized YES? and then De-Energized YES?
- Step 5:** Press the Calibration Button or use the Reed Switch to select. The flashing YES confirms the selection. If no selection is made, the Coil Status option is repeated.
- Step 6:** The message Latch Status displays. The display then shows Latching YES? and then Non-Latching YES?
- Step 7:** Press the Calibration Button or use the Reed Switch to select. The flashing YES confirms the selection. If no selection is made, the Latch Status option is repeated.
- Step 8:** The message Set High displays. The High Alarm level **must be set between 21 and 25**. The High Alarm level is displayed in increments of 1 beginning at the Low Alarm set-point (as set in Step 3).
- Step 9:** Repeat Steps 4 through 7 to complete the High Alarm level, coil and latch status settings.
- Note:** If no selection is made, a 5 minute timer expires, in which case the unit returns to normal operation.

MODBUS OPTIONS

The digital RS-485 Modbus RTU protocol is used. There are two Modbus options: Node Address and Baud Rate.

Node Address

Each device connected to the chain must be assigned a unique node address (1-255). The last number in the address is selected first.

- Step 1:** When Modbus Setup? YES? displays press the Calibration Button or use the Reed Switch to select.
The flashing YES confirms the selection.
- Step 2:** The current node address will display Node: 000 .
- Step 3:** Wait for the prompt New Address? YES? and press the Calibration Button or use the Reed Switch to select.
- Step 4:** Use the Calibration Button or Reed Switch to select each of three numbers in the new address:
- select the last number in the address first: 0 thru 9.
- select the next number in the address: 0 thru 9.
- select the first number in the address last: 0 1 2 .

Baud Rate

The transmission speed must be defined.

- Step 1:** When Modbus Setup? YES? displays press the Calibration Button or use the Reed Switch to select.
The flashing YES confirms the selection.
- Step 2:** After setting the Node Address, the current Baud Rate will display XX.XBPS .
- Step 3:** Wait for the prompt New Baud Rate? YES? and press the Calibration Button or use the Reed Switch to select.
- Step 4:** The available baud rates will display: 2400s , 4800s , 9600s,14.4s , 19.2s , 28.8s , 38.4s , 57.6s .
- Step 5:** Use the Calibration Button or use the Reed Switch to select baud rate when it displays.
- Step 6:** The flashing YES confirms the selection.

ENTER RESTRICTED MENU

The Restricted Menu allows you to set the Low Power Options.

- Step 1:** Press and hold the Calibration Button or the magnet to the Reed Switch to enter the Main Menu; wait for the countdown, from 10 to 0, to end.
- Step 2:** When Enter restricted menu YES? displays press the Calibration Button or use the Reed Switch to select.
The flashing YES confirms the selection.
- Step 3:** When Are you sure? YES? displays press the Calibration Button or use the Reed Switch to select.
The flashing YES confirms the selection.

Set Low Power Options - Optional

Two optional low power features are available to reduce overall power consumption. Use this option to:

- Dim the LED display although display will still be visible in most lighting conditions (default setting)
- Disable the 4 to 20 mA analog output for applications requiring only relay output (default setting)

- Step 1:** Enter the Restricted Menu (refer to "Modbus Options" on page 16).
- Step 2:** When Set Low Power Options YES? displays press the Calibration Button or use the Reed Switch to select.
The flashing YES confirms the selection.
- Step 3:** When Lower Display Brightness YES? displays press the Calibration Button or use the Reed Switch to select or wait until Display Full Brightness YES? displays and select.
The flashing YES confirms the selection.
- Step 4:** When Disable 4-20mA O/P YES? displays press the Calibration Button or use the Reed Switch to select or wait until Enable 4-20mA O/P YES? displays and select.
The flashing YES confirms the selection.

SELECT DISPLAY LANGUAGE

Step 1: After the Restricted Menu the option Select Display Language YES? displays. Press the Calibration Button or use the Reed Switch to select.
The flashing YES confirms the selection.

Step 2: When the required language displays (English , Espanol , Francais) press the Calibration Button or use the Reed Switch to select.
The flashing YES confirms the selection.

Note: Factory default is English.

ALARMS

Sensor Fault

WARNING:

The fault detection circuitry does not monitor the operation of external response equipment or the external wiring to these devices. It is important that these devices be checked periodically to ensure they are operational.

Self-testing circuitry continuously checks for problems that could prevent proper response. When power is applied, the microcontroller automatically tests the system to ensure that it is functioning properly. During normal operation, it continuously monitors the signal from the internal sensor source. In addition, a "watchdog" timer is maintained to ensure the program is running correctly. When a system fault is detected, the Status LED will Red Slow flash, the display show Sensor Fault and analog output change to 2.5 mA.

Non-standard O2 Levels

When levels >20.9 or <20.9 are detected, the display shows the oxygen level, in percent, on the left side of the display and the LED will blip green. Current output will vary, depending on the O2 level.

If an alarm set-point is reached, the %O2 still displays to the left but a High Alarm or Low Alarm message will scroll to the right and the LED will blip/blink red. Current output will vary, depending on the O2 level.

Over range is reached if the O2 level exceeds 25%. The display shows <25%O2, the LED goes solid red and 20 mA is delivered.

Sensor Life

Depending on various factors, sensor response may slowly deteriorate over time. If calibration becomes impossible for any reason, the display will show Fail Cal , the analog output will switch repeatedly between 3.0 mA and 3.3 mA and the Status LED alternates Red and Green flashes.

RESET

Manual Reset

A Manual Reset is required after a calibration failure or to clear a latched relay alarm. Simply place and hold the magnet against the Reed Switch or press and hold the Calibration Button for 3-5 seconds. The unit will return to normal operation using previous calibration values.

Remote Reset

If Relay Option is set to Latching (refer to "Setting Relay Options" on page 15) and an open Push Button Switch is connected between the RST terminal and the COM terminal on the Terminal Board, Remote Reset is possible. Also refer to "Remote Reset" on page 9 for details.

OUTPUTS

Relays - Optional

Note: The fault relay output is not used to activate an automatic shutdown procedure. The fault output indicates a potential problem with the Controller not an alarm condition.

Standard electro-mechanical relay outputs have Form C SPDT contacts rated 5 Amperes at 30 V dc/ 250 V ac. Three relay outputs are available; one for Fault; one for Low alarm; and one for High alarm. All relays have normally open and normally closed contacts available at the output terminals.

The fault relay is set for normally energized operation and is non-latching. If a system fault is detected, the fault relay becomes de-energized. The fault relay is factory set and cannot be altered. The Low alarm and High alarm relays can be selected for either normally energized or normally de-energized operation and latching/non-latching.

Modbus

Digital RS-485 Modbus RTU protocol is used.

Register 40001 = % output (read only)

Register 40002 = Status (read only)

Register 40101 = Reset latched alarms (write)

Note: Many registers are used by the controller. Please do not write outside the three registers.

Current

A 4-20 mA dc current output is used to transmit the alarm status and fault codes to other devices. This output can be wired for isolated or non-isolated operation. A 17.4 mA output indicates normal operation; a value >17.4 or <17.4 mA output indicates an abnormal amount of oxygen. Current output of 2.5 mA indicates the presence of a system fault.

STEP 7 — MAINTAIN

PERIODIC RESPONSE CHECK

We recommend a typical response check or calibration is performed on the Millennium every 3 months. A typical response check involves the application of calibration gas to the sensor, then the observation of the response LEDs, analog output, display and external monitoring equipment. Be sure to prevent unwanted response of external monitoring devices and equipment during this procedure. If the Millennium response to calibration gas is within its specified accuracy then it is not necessary to perform a calibration. For example, when 12% oxygen is applied, the response is expected to be between 10.4 mA (10% O₂) and 12.96 mA (14% O₂). An additional consideration is the accuracy tolerance of the calibration gas which may be + or - a few percent.

TROUBLESHOOT

Response to the input should be checked and, if necessary, calibration should be performed whenever any of the following occur. Refer to "Calibration Procedure" on page 13 for calibration instructions.

- Excess negative drift is indicated by 2.5 mA current output
- Sensor or transmitter is connected or disconnected
- Long term exposure or high concentration exposure to gas

The Millennium is not designed to be repaired in the field. If a problem should develop, first calibrate the device and carefully check for faulty wiring. If it is determined that the problem is caused by an electronic failure, the device must be returned to the factory for repair. Refer "How to Return Equipment" on page 19 for detailed instructions.

HOW TO RETURN EQUIPMENT

A Material Return Authorization number is required in order to return equipment. Please contact Net Safety Monitoring at **(403) 219-0688** before returning equipment or consult our Service Department to possibly avoid returning equipment.

If you are required to return equipment, include the following information:

1. A Material Return Authorization number (provided over the phone to you by Net Safety).
2. A detailed description of the problem. The more specific you are regarding the problem, the quicker our Service department can determine and correct the problem.
3. A company name, contact name and telephone number.
4. A Purchase Order, from your company, authorizing repairs or request for quote.
5. Ship all equipment, prepaid to:

Net Safety Monitoring Inc
 2721 Hopewell Place NE
 Calgary, Alberta, Canada
T1Y 7J7

6. Mark all packages: **RETURN for REPAIR**

Waybills, for shipments from outside Canada, must state:

Equipment being returned for repair
All charges to be billed to the sender

Also, please ensure a duplicate copy of the packing slip is enclosed inside the box indicating item 1-4 along with the courier and account number for returning the goods.

All Equipment must be Shipped prepaid. Collect shipments will not be accepted.

Pack items to protect them from damage and use anti-static bags or aluminum-backed cardboard as protection from electrostatic discharge.

SPARE PARTS/ACCESSORIES

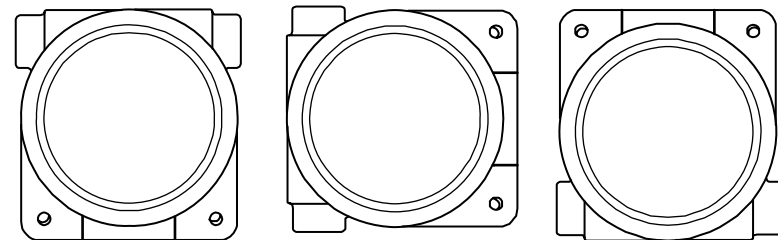
Table 5: Part Numbering

Description	Net Safety Part Number
Oxygen Sensor housing(light blue)	THSG-FULL-O2-SS
Oxygen Sensor housing(light blue)	THSG-FULL-O2
Oxygen (O2) Sensor	ST1400-25
Terminal Connector Board	PCBA-0252E
90 Degrees Rotation Plate	FRO-001
Calibration Cup	CCS-1
Magnet assembly	Magnet-1
Transmitter for MLP series c/w Display, Terminal & Input board	ML7-TX100
Mechanical Relay Board for MLP series	ML7RS305
Option Board c/w connectors for Mechanical Relay board	ML7OP100
Electromechanical Relay Board c/w Option board	ML7-ORL305
ML7 Modbus Output Board	ML7-MB100

FACE ROTATION OPTION

In some applications, it is necessary for the Millennium Controller to be mounted in a non-standard orientation. To accommodate such installations and ensure that the display will appear at the correct angle for viewing, the PCB Assembly can be rotated inside the Controller.

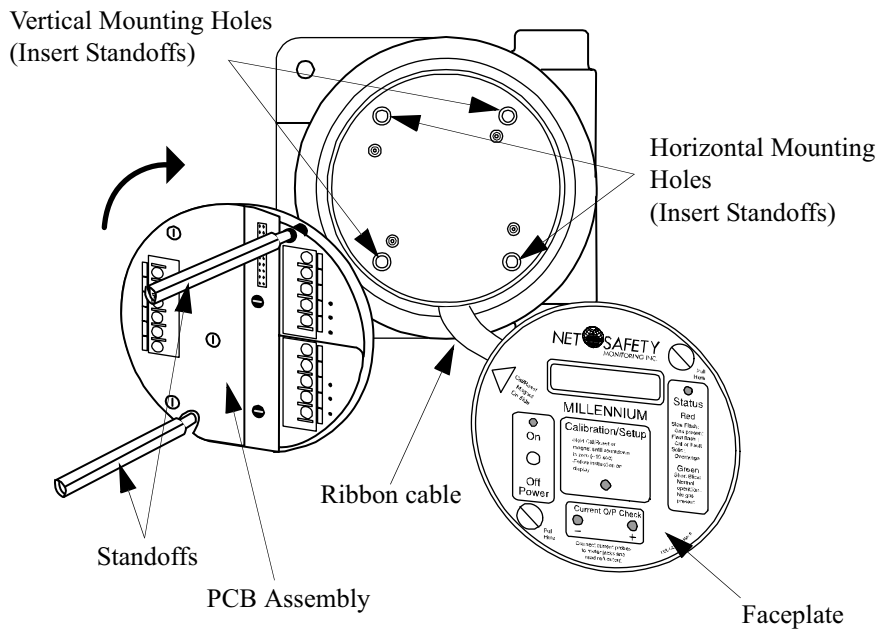
Figure 14: Non-standard Orientations



Note: Ensure orientation allows for connections and excess wire within Controller Housing.

Rotate PCB Assembly

1. Remove the Controller's Housing Cover.
2. Turn the power to the detector off.
3. Unscrew both the knobs marked "Pull Here".
4. Lift Controller faceplate from Housing and allow to hang from ribbon cable.
5. Unscrew the two metal standoffs.
6. Carefully remove the PCB Assembly from the Housing.
7. The Rotator plate is secured to the bottom of the Housing and is accessible after the PCB Assembly has been removed.
8. Rotate the PCB Assembly to desired position and line up the standoffs with the mounting holes.
9. Insert standoffs in the appropriate horizontal or vertical mounting holes.
10. Tighten standoffs to secure PCB Assembly.
11. Replace faceplate and tighten "Pull Here" knobs.
12. Return power to detector and replace Housing Cover.



WARNING: See Appendix A, "Electrostatic Sensitive Device (ESD)", on page 20 for handling instructions of electronic components.

Appendix A:

ELECTROSTATIC SENSITIVE DEVICE (ESD)

Electrostatic discharge (ESD) is the transfer, between bodies, of an electrostatic charge caused by direct contact or induced by an electrostatic field.

The most common cause of ESD is physical contact. Touching an object can cause a discharge of electrostatic energy—ESD! If the charge is sufficient and occurs near electronic components, it can damage or destroy those components.

In some cases, damage is instantaneous and an immediate malfunction occurs. However, symptoms are not always immediate—performance may be marginal or seemingly normal for an indefinite period of time, followed by a sudden failure.

To eliminate potential ESD damage, review the following guidelines:

- Handle boards by metal shields—taking care not to touch electronic components
- Wear grounded wrist or foot straps, or ESD shoes or heel grounders to dissipate unwanted static energy
- Prior to handling boards, dispel any charge in your body or equipment
- Ensure components are transported and stored in static safe packaging
- When returning boards, carefully package in the original carton and static protective wrapping
- Ensure ALL personnel are educated and trained in ESD Control Procedures

In general, exercise accepted and proven precautions normally observed when handling electrostatic sensitive devices.

A warning label is placed on the packaging, identifying product using electrostatic sensitive semiconductor devices.



Appendix B: RESISTANCE TABLE IN OHMS

Distance (Feet)	AWG #20	AWG #18	AWG #16	AWG #14	AWG #12	AWG #10	AWG #8
100	1.02	0.64	0.40	0.25	0.16	0.10	0.06
200	2.03	1.28	0.80	0.51	0.32	0.20	0.13
300	3.05	1.92	1.20	0.76	0.48	0.30	0.19
400	4.06	2.55	1.61	1.01	0.64	0.40	0.25
500	5.08	3.20	2.01	1.26	0.79	0.50	0.31
600	6.09	3.83	2.41	1.52	0.95	0.60	0.38
700	7.11	4.47	2.81	1.77	1.11	0.70	0.44
800	8.12	5.11	3.21	2.02	1.27	0.80	0.50
900	9.14	5.75	3.61	2.27	1.43	0.90	0.57
1000	10.20	6.39	4.02	2.53	1.59	1.09	0.63
1250	12.70	7.99	5.03	3.16	1.99	1.25	0.79
1500	15.20	9.58	6.02	3.79	2.38	1.50	0.94
1750	17.80	11.20	7.03	4.42	2.78	1.75	1.10
2000	20.30	12.80	8.03	5.05	3.18	2.00	1.26
2250	22.80	14.40	9.03	5.68	3.57	2.25	1.41
2500	25.40	16.00	10.00	6.31	3.97	2.50	1.57
3000	30.50	19.20	12.00	7.58	4.76	3.00	1.88
3500	35.50	22.40	14.10	8.84	5.56	3.50	2.21
4000	40.60	25.50	16.10	10.00	6.35	4.00	2.51
4500	45.70	28.70	18.10	11.40	7.15	4.50	2.82
5000	50.10	32.00	20.10	12.60	7.94	5.00	3.14
5500	55.80	35.10	22.10	13.91	8.73	5.50	3.46
6000	61.00	38.30	24.10	15.20	9.53	6.00	3.77
6500	66.00	41.50	26.10	16.40	10.30	6.50	4.08
7000	71.10	44.70	28.10	17.70	11.10	7.00	4.40
7500	76.10	47.90	30.10	19.00	12.00	7.49	4.71
8000	81.20	51.10	33.10	20.20	12.70	7.99	5.03
9000	91.40	57.50	36.10	22.70	14.30	8.99	5.65
10 000	102.00	63.90	40.20	25.30	15.90	9.99	6.28

Note: Resistance shown is one way. This figure should be doubled when determining closed loop resistance.

Appendix C: SPECIFICATIONS

SENSOR SPECIFICATIONS

SENSOR ELEMENT	Oxygen O2 (ST1400)
Operating Temperature Range	-20°C to +50°C (-4F to +122F)
Range of Detection	0 to 25%
Response Time	<15 seconds to T95
Span Drift	<5% of signal loss / year
Enclosure Material	Anodized / powder coated aluminum (optional stainless steel)
Certifications	CSA and NRTL/C certified for hazardous locations. Class I, Division 1, Groups C and D. IEC Rating Ex d IIB T6 NEMA 3R (Class 1, Zone 1, Grp IIB T6)
Weight	0.5 Kg (1.0 lb)

CONTROLLER SPECIFICATION

MILLENNIUM	ANALOG	ANALOG/RELAY	ANALOG/DIGITAL
Operating Temperature Range	-20°C to +50°C (-4F to +122F)		
Power Consumption @ 24 V dc	Nom 68 mA / 1.63 W Max 90 mA / 2.16 W	Nom 75 mA / 2.0 W Max 108 mA / 2.6 W	Nominal 125 mA/3.01 W Maximum 155mA/3.73 W
Humidity Range	0 to 99% relative humidity, non-condensing		
Operating Voltage Range	10.5 to 32.0 V dc		
Enclosure Material	Powder coated Copper Free Cast Aluminum (optional stainless steel)		
Certifications	CSA and NRTL/C certified for hazardous locations. Class I, Division 1, Groups B, C and D. NEMA 4X. IEC Rating Ex d IIB+H2 T5 Note: With any Type 4 enclosure (electronics only-sensor remotely mounted in Class I, Division 1 area with seals between sensor and electronics), CSA and NRTL/C certified for hazardous locations, Class 1, Division 2, Groups A, B, C and D.		
Weight	3.2 Kg (7.0 lb)		
Outputs	- 4 to 20 mA - Into a maximum loop impedance of 800 Ohms at 32 V dc or 150 Ohms at 10.5 V dc. Isolated or non-isolated loop supply. - Premium version - Form C contacts rated 5 Amps at 30 V dc / 250 V ac. Selectable energized / de-energized, latching/non-latching configurable low and high alarms. Fault relay is factory set as energized, non-latching and cannot be modified. - Low Power Version - Form A contacts rated 2.5 Amps at 60 V ac/dc. Selectable energized / de-energized, latching/non-latching configurable low and high alarms. Fault relay is factory set as energized, non-latching and cannot be modified. - Digital RS 485 Modbus RTU Protocol		



Net Safety Monitoring Inc.,
2721 Hopewell Place NE
Calgary, Alberta, Canada T1Y 7J7
Telephone: (403) 219-0688 Fax: (403) 219-0694
E-mail: netsafe@net-safety.com
www.netsafety.com
