

MODIFICATION INSTRUCTIONS CONVERTING OXT INTEGRAL PROBE TO SPLIT ARCHITECTURE CONFIGURATION

1. PARTS REQUIRED

The following parts are required to perform this modification:

Qty	Part Number	Description	Oxymitter 4000		Oxymitter 5000	
			GP	Haz	GP	Haz
1	6A00094G03	Mod Kit, Remote Electronics, Fieldbus, Explosion Proof				X
1	6A00094G04	Mod Kit, Remote Electronics, HART, Explosion Proof		X		
1	6A00095G03	Mod Kit, Remote Electronics, Fieldbus, General Purpose			X	
1	6A00095G04	Mod Kit, Remote Electronics, HART, General Purpose	X			
1	1A99636H01	Labels, Direct Replacement Modification	X	X	X	X
1	6A00121Gxx ¹	Cable Assembly, General Purpose	X		X	
1	6A00122Gxx ²	Cable Assembly, Hazardous		X		X

2. REMOVING ELECTRONICS FROM INTEGRAL PROBE

- 2.1 Remove power from the existing integral probe.
- 2.2 Remove both end covers from the blue electronics housing. The cover over the electronics compartment may be either a blind or window cover.
- 2.3 Refer to Figure 1. In the electronics compartment, loosen but do not completely remove the three screws securing the card stack. If a keypad display is present, it can remain attached to the card stack during disassembly. If a LOI is present, it may have to be removed for easier removal of the card stack. Disconnect the four position multicolored wire harness from the top board. Remove the electronics card stack assembly from the housing.
- 2.4 Disconnect the remaining connector from the bottom circuit card and put the card stack aside. Keep the window or blind cover and keypad or a local operator interface (LOI) display supplied with the integral probe with the card stack. They will be used later on the remote electronics assembly.
- 2.5 Remove the two short wiring harnesses supplied inside the modification kit housing. These two harnesses and the cover over this compartment will be used in the integral probe.
- 2.6 Connect the two short harnesses to the appropriate connectors inside the electrical housing compartment as shown in Figure 2.

¹ General Purpose cable part number 6A00121Gxx where G01=20', G02=40', G03=60', 04=80', G05=100', G06= 150', G07= 200' cable

² Hazardous Area cable part number 6A00122Gxx where G01=20', G02=40', G03=60', 04=80', G05=100', G06= 150', G07= 200' cable

This drawing contains information proprietary to Rosemount Analytical Inc. and is to be used solely for the purpose for which it is furnished. This document shall not be used for engineering, design, procurement, or manufacturing in whole or in part without written consent of Rosemount Analytical Inc.				1	REVISIONS	By: S. Miesiak	Rosemount Analytical Inc. Orrville, Ohio	
				RN-62464 SJM 1-23-04		Eng: S. Miesiak	MODIFICATION INSTRUCTIONS CONVERTING OXT INTEGRAL PROBE TO SPLIT ARCHITECTURE	
						App: R Molnar	6R00025	Sheet 1 of 5

- 2.7 Reinstall the blind cover from the modification kit housing over this compartment on the probe. This cover will not have the Alarm and Calibration instruction label attached to the inside of the cover.
- 2.8 In the terminal side of the blue housing, grind or file off the existing raised terminations assignments. Place the new labels (p/n 1A99636H01) onto the terminations block as shown in Figure 3. Do not reinstall the cover until after external rewiring has been completed.

3. ASSEMBLING ELECTRONICS IN REMOTE HOUSING

- 3.1 Install the card stack into the remote electronics assembly in reverse order from which they were removed from the integral probe.
- 3.2 Place the card stack next to the remote electronics housing. If a keypad display is present, it can remain attached to the card stack during assembly. If a LOI is present, it may have to be removed for easier installation of the card stack.
- 3.3 Attach the white plug with two black wires to the connector on the lower board. The connectors are polarized. Make sure the locking tab snaps in place.
- 3.4 Insert the electronics into the cavity, ensuring that the black plug with the 4-wire sensor signal cable still protrudes out of the housing, and the wires are placed into the slot provided in the top circuit card. The card stack will seat onto the bulkhead pins easily. **DO NOT FORCE.** Plug the black 4-conductor cable into the mating socket on the top microprocessor card. Tighten the three screws to secure the card stack into the housing.
- 3.5 Reinstall the LOI if was removed.
- 3.6 Reinstall the blind or window cover previously removed from the probe on the remote electronics housing. If a blind cover is used, ensure it has the Alarm and Calibration instruction label attached to the inside of the cover.

4. MOUNTING THE REMOTE ELECTRONICS

- 4.1 Physically mount the remote electronics assembly at the desired location. Unit may be pipe or wall mounted.
- 4.2 The LOI can be installed in four different rotations 90° apart for easier viewing after installation. To change the rotation, remove the 20-pin riser from its existing connection and reinstall on one of the other three locations. Remove the captive screws and standoffs from the existing mounting holes and reinstall them in the appropriate mounting holes.

5. WIRING THE PROBE TO THE REMOTE ELECTRONICS

- 5.1 Refer to the Oxymitter Instruction Bulletin, 106-340 for details of installing the cable assembly between the probe and remote electronics.

6. STARTUP

- 6.1 Refer to the Oxymitter Instruction Bulletin, 106-340 for start-up and diagnostics information.

This drawing contains information proprietary to Rosemount Analytical Inc. and is to be used solely for the purpose for which it is furnished. This document shall not be used for engineering, design, procurement, or manufacturing in whole or in part without written consent of Rosemount Analytical Inc.				1	REVISIONS	By: S. Miesiak	Rosemount Analytical Inc. Orrville, Ohio
				RN-62464 SJM 1-23-04		Eng: S. Miesiak	MODIFICATION INSTRUCTIONS CONVERTING OXT INTEGRAL PROBE TO SPLIT ARCHITECTURE
						App: R Molnar	
							6R00025

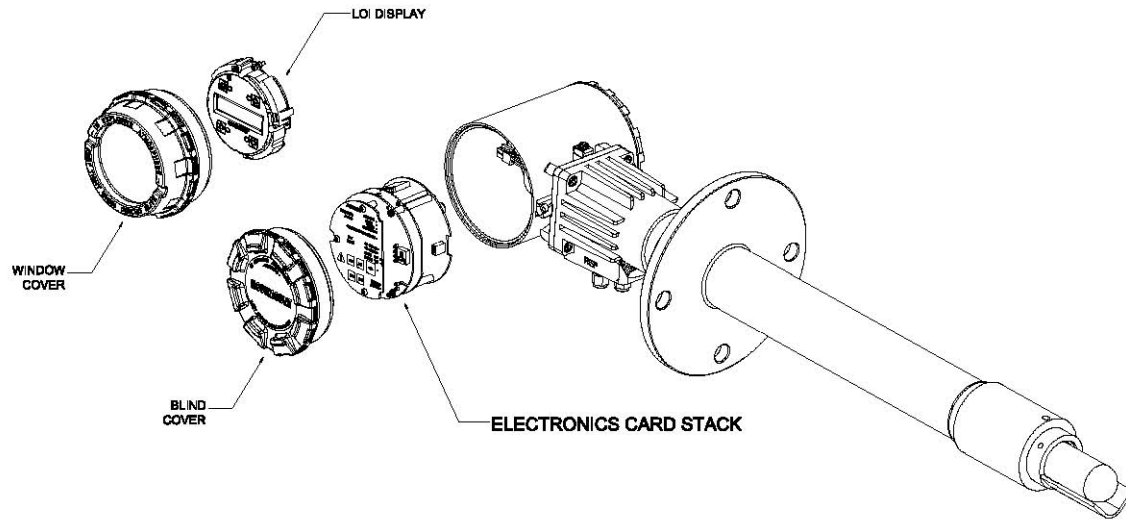


Figure 1 – Integral Probe Components

<p>This drawing contains information proprietary to Rosemount Analytical Inc. and is to be used solely for the purpose for which it is furnished. This document shall not be used for engineering, design, procurement, or manufacturing in whole or in part without written consent of Rosemount Analytical Inc.</p>				1	REVISIONS	By: S. Miesiak	Rosemount Analytical Inc. Orrville, Ohio	
				RN-62464 SJM 1-23-04		Eng: S. Miesiak	MODIFICATION INSTRUCTIONS CONVERTING OXT INTEGRAL PROBE TO SPLIT ARCHITECTURE	
						App: R Molnar	6R00025	
							Sheet 3 of 5	

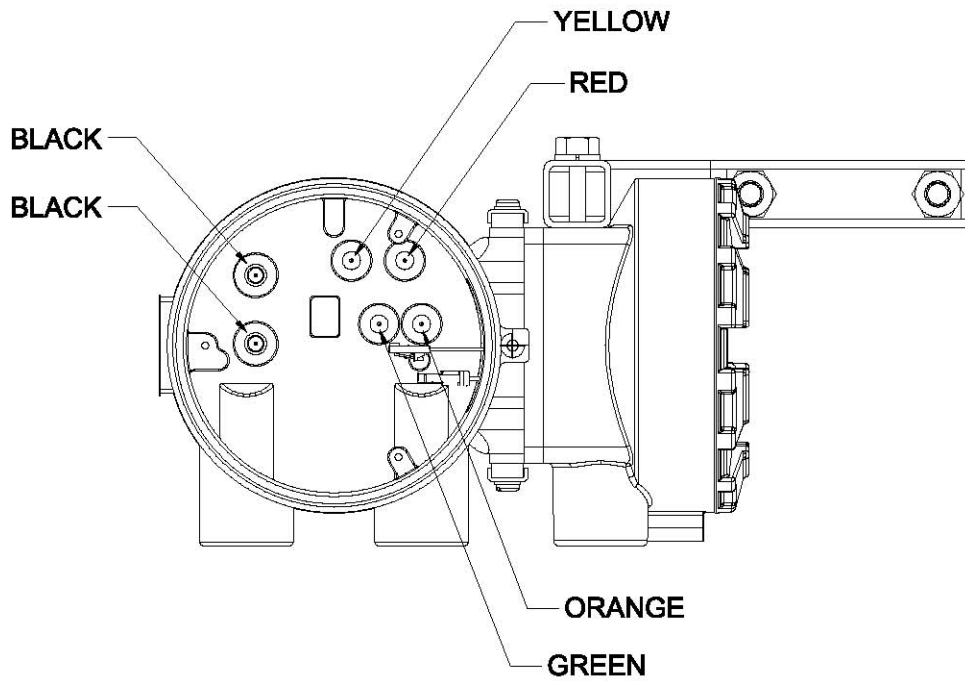


Figure 2 – Wire Harness Connections in Integral Probe

<p>This drawing contains information proprietary to Rosemount Analytical Inc. and is to be used solely for the purpose for which it is furnished. This document shall not be used for engineering, design, procurement, or manufacturing in whole or in part without written consent of Rosemount Analytical Inc.</p>				1	REVISIONS	By: S. Miesiak	Rosemount Analytical Inc. Orrville, Ohio		
				RN-62464 SJM 1-23-04		Eng: S. Miesiak	MODIFICATION INSTRUCTIONS CONVERTING OXT INTEGRAL PROBE TO SPLIT ARCHITECTURE		
						App: R Molnar	6R00025		
							Sheet 4 of 5		

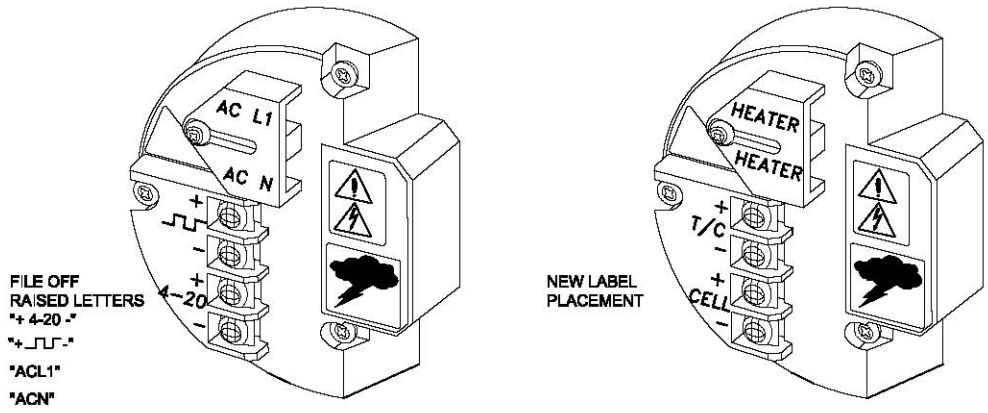


Figure 3 – Terminal Block Label Placement

<p>This drawing contains information proprietary to Rosemount Analytical Inc. and is to be used solely for the purpose for which it is furnished. This document shall not be used for engineering, design, procurement, or manufacturing in whole or in part without written consent of Rosemount Analytical Inc.</p>				1	REVISIONS	By: S. Miesiak	Rosemount Analytical Inc. Orrville, Ohio		
						Eng: S. Miesiak	MODIFICATION INSTRUCTIONS CONVERTING OXT INTEGRAL PROBE TO SPLIT ARCHITECTURE		
							App: R Molnar		
								6R00025	Sheet 5 of 5