

Sunshade Assembly & Universal mounting kit

SSK-5 series & UN-MK-3 series



Net Safety has specially designed the SSK-5(SSK-5X) series sunshade assembly and the UN-MK-3(UN-MK-3X) series mounting bracket for the millennium transmitter and junction box enclosures. The UN-MK-3 series mounting bracket is to assist in firmly mounting housing enclosures in different configurations depending on installation needs. The 3 different types of UN-MK-3X are; the UN-M-31, UN-MK-32 and UN-MK-33. All three mounting brackets are similar, except for the size U bolt each uses. The UN-MK-31 comes with a 3/8 x 1" U bolt, the UN-MK-32 uses a 3/8 x 2" U bolt and the UN-MK-33 has a 3/8 x 3" U bolt.

Figure 1 Typical mounting of UN MK 3X with housing enclosure to a vertical pole



Steps in mounting UN-MK-3X to a vertical pole

⚠ WARNING

Torque should be less than 2-4 ft .lbs when tightening nuts.

1. Position the UN-MK-3X with its 'V' slot making contact with the specific pole. See figures on next page.
2. Place U bolt around pole and fit to mounting bracket. Ensure U bolt threaded ends pass through two (13/32") slots on mounting bracket.
3. Fit screws, washers and nuts provided to the threaded ends of the U bolt. Ensure a *tight fit with appropriate tools (9/16" open ended wrench, 9/16" socket).

4. Align housing enclosure mounting holes with the two (17/64") screw slots on the UN-MK-3. Position two 1/4" screws in slots and with the aid of screws and appropriate tools (7/16" open ended wrench, 7/16" socket) ensure a *tight fit.

The sunshade assembly (SSK-5X) series is designed to provide shade for housing enclosures that are continuously exposed to direct sunlight, which may result in very high temperature exposure. The assembly comprises a sunshade and a mounting bracket. The three types of sunshade assembly available are: SSK-51, SSK-52 and SSK-53; the SSK-51 is used when mounting to a 1" pipe, the SSK-52 is for a 2" pipe and the SSK-53 is for a 3" pipe.

Figure 2 Typical mounting of the SSK-5X with UN-MK-3X to a vertical pole



Steps in mounting SSK-5X to a vertical pole

1. Assemble the sunshade kit; using screws, washers and nuts provided, fit the sunshade to its mounting bracket with the aid of appropriate tools (7/16" open ended wrench, 7/16" socket).
2. Position completed sunshade kit assembly above the transmitter (or junction box) enclosure. With U bolt in position around the pole, ensure its threaded ends pass through the (13/32") slots of mounting bracket. See Figure 3 below (orientation B).
3. Adjust the positioning of the assembly to cover housing enclosure. *Tighten with appropriate tools (9/16" open ended wrench, 9/16" socket).

Various mounting orientations are allowed when using the UN-MK-3 series mounting bracket and the SSK-3 series sunshade kit. The type of set up will depend on installation requirements. See [Figure 3](#) below.

Figure 3 Various mounting orientations

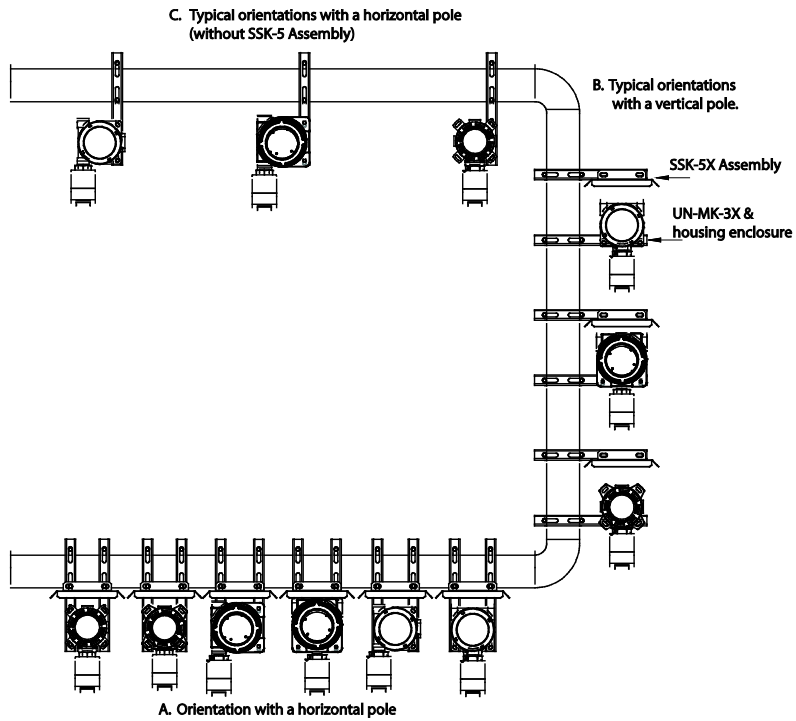


Figure 4 UNMK-3X & SSK-5X dimensional drawing

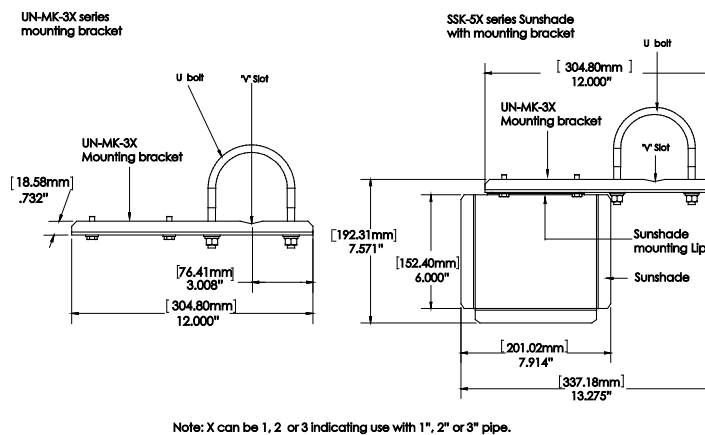
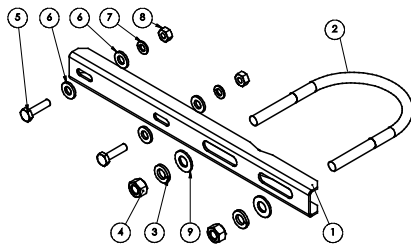


Figure 5 UNMK-3X with SSK-5X parts list

UN-MK-3X mounting bracket assembly.

ITEM	PART NUMBER	DESCRIPTION	QTY
1	MFG-0284	PIPE MOUNT BRACKET	1
2	HDW-02yy	UBOLT, 3/8-NC / (X) NPS, SS316	1
3	WSH-0039	3/8 MEDIUM SPLIT LOCK WASHER, SS316	2
4	NUT-0033	3/8-NC FINISHED HEX NUT, SS316	2
5	SCR-0141	1/4-20 x 1" HEX CAP SCREW, SS 316	2
6	WSH-0033	1/4" X 5/8" OD FLAT WASHER, SS316	4
7	WSH-0034	1/4" SPLIT LOCK WASHER, SS316	2
8	NUT-0030	1/4-20 FINISHED HEX NUT, SS316	2
9	WSH-0041	3/8 FLAT WASHER, 316SS	2

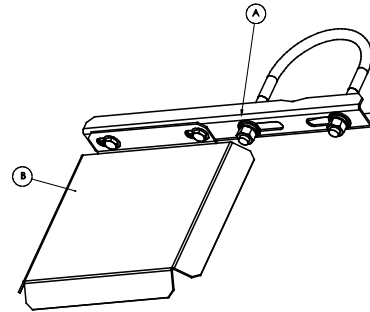
Note: Item 2 (HDW-02yy) is HDW-0245 for 1" U bolt, HDW-0226 for 2" U bolt & HDW-0241 for 3" U bolt.



Note: X can be 1, 2 or 3 indicating use with 1", 2" or 3" pipe.

SSK-5X Sunshade assembly

ITEM	PART NUMBER	DESCRIPTION	QTY
A	UN-MK-3X	PIPE MOUNT BRACKET ASSEMBLY	1
B	MFG-0285	SUNSHADE	1



EmersonProcess.com/FlameGasDetection



AnalyticExpert.com

youtube.com/user/RosemountAnalytical



twitter.com/Rosemount_News

facebook.com/Rosemount

Emerson Process Management

6021 Innovation Blvd.
Shakopee, MN 55379
T +1 866 347 3427
F + 952 949 7001
safety.csc@emerson.com

©2016 Emerson Process Management. All rights reserved.

The Emerson logo is a trademark and service mark of Emerson Electric Co. Rosemount is a mark of one of the Emerson Process Management family of companies. All other marks are property of their respective owners.

The contents of this publication are presented for information purposes only, and, while effort has been made to ensure their accuracy, they are not to be construed as warranties or guarantees, express or implied, regarding the products or services described herein or their use or applicability. All sales are governed by our terms and conditions, which are available on request. We reserve the right to modify or improve the designs or specifications of our products at any time without notice.