

## FlameWatch II Sunshade Kit (SSK-6) Instruction Guide MAN-0124 Rev 0



Net Safety has designed a sunshade kit (SSK-6) to complement the FlameWatch II product in harsh exposure outdoor conditions. In outdoor applications, whereby FlameWatch II is continuously exposed to direct sunlight, temperatures may exceed 75° Celsius. Utilizing the SSK-6 provides shading for the video camera enclosure, limiting rising temperatures caused by continuous direct sunlight. If shading for the flame detector is also desired, consult your local Net Safety representative.

Figure 1: SSK-6 fitted to FlameWatch II.



Steps in fitting sunshade (SSK-6) to FlameWatch II:

**Warning** ⚠️ \*Torque should be less than 1/2ft.lb when tightening nuts(NUT-0030) to U bolt.

1. Place U bolt around FlameWatch II vertical section conduit. Ensure U bolt threaded ends point in the same direction as the flame detector.
2. Fit 3/4 U bolt catch plate to U bolt, ensuring U bolt threaded ends pass through catch plate two holes.
3. Align sunshade, so that it's 'T' slot fits around FlameWatch II's vertical section conduit.
4. Ensure that sunshade mounting lip holes are concentric with 3/4 U bolt catch plate holes and U bolt.
5. Fit flat washers, lock washers and nuts to U bolt. See figures below.
6. Use appropriate tools (7/16" open ended wrench, 7/16" socket) to \*secure.

Figure 2: SSK-6 Dimensional Drawing

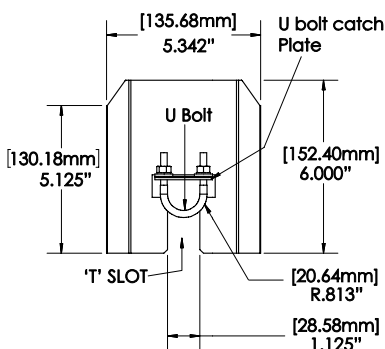


Figure 3: SSK-6 with FlameWatch II

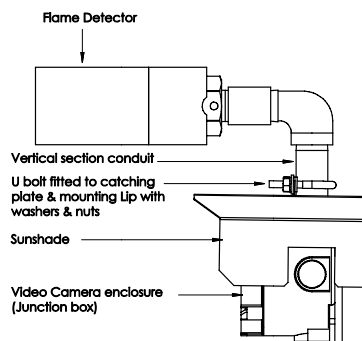


Figure 4: SSK-6 Parts list

ITEM NO.	PART NUMBER	DESCRIPTION	QTY.
1	MFG-0286	FLAMEWATCH 2 SUNSHADE	1
2	MFG-0287	3/4 U BOLT CATCH PLATE	1
3	WSH-0033	1/4 FLAT WASHER, SS316	2
4	WSH-0034	1/4 LOCK WASHER, SS316	2
5	NUT-0030	1/4-NC HEX NUT, SS316	2
6	HDW-0246	U BOLT 1/4-NC x 3/4, SS316	1

