

Mounting a Centering Disc on Rigid Single Lead Probes

The mounting of a centering disc on a rigid single lead probe requires one hole (8 mm probe) or two holes (13 mm probe) at certain distances from the end of the lead. The drilling fixture included in your shipment should be used to make the hole(s) according to the figure below:

Probe	Minimum distance to hole from probe end	Number of holes	Hole diameter
8 mm	5 mm	1	3.5 mm
13 mm	7 mm (first hole)	2	3.5 mm

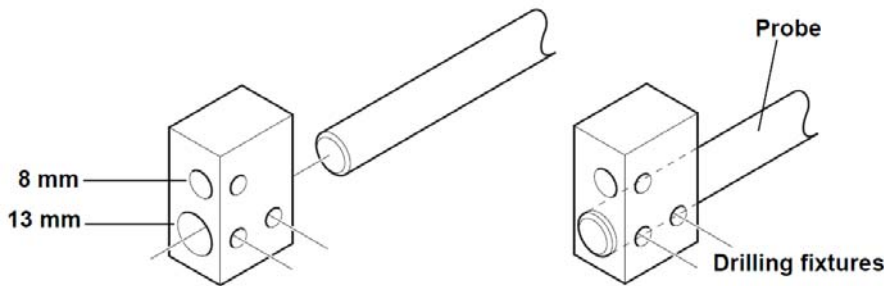
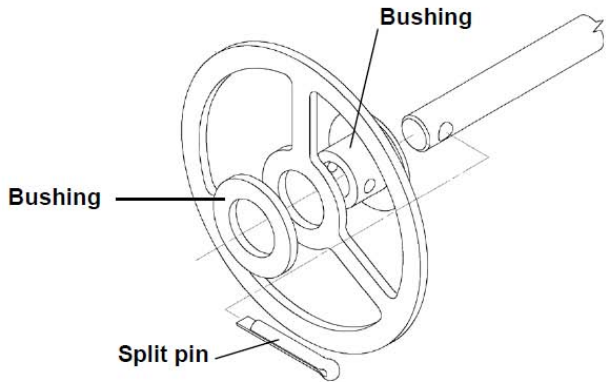


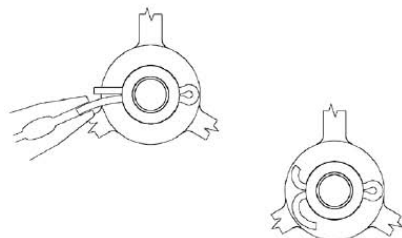
Figure 1 Drilling fixture to make hole in probe

After the hole has been drilled, the centering disc should be attached to the probe according to figures below:

Rigid Single Lead probe (8 mm)



1. Mount the centering disc at the end of the probe.
2. Fasten the disc by inserting the split pin through the bushing and the probe.

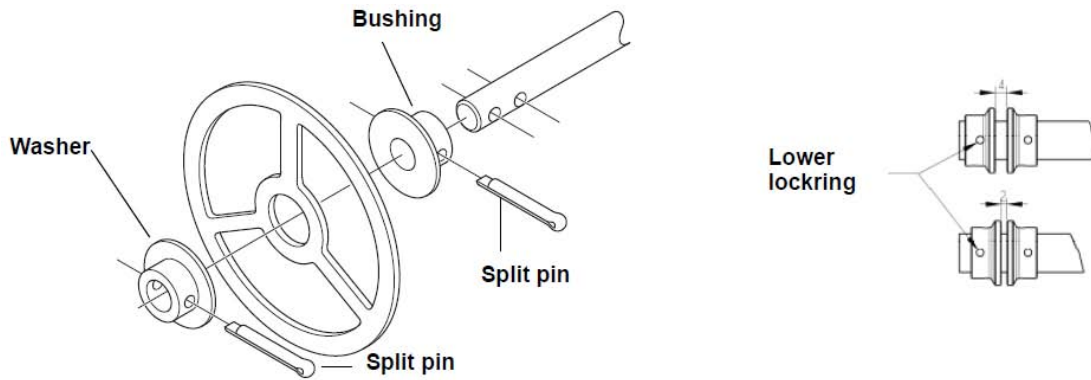


3. Secure the split pin.

Figure 2 Mounting procedure for centering disc on rigid single lead probe (8 mm; 4A)

NOTE that the washer should not be mounted if the thickness of the plate is 4 mm or if the disc material is C-276, Duplex 2205 or Alloy 400.

Rigid Single Lead probe (13 mm)



1. Mount the centering disc at the end of the probe.
2. Fasten the disc by inserting the split pins through the bushings and the probe.
3. Adjust distance by shifting hole for split pin in lower locking.



Figure 3 Mounting procedure for centering disc on rigid single lead probe (13 mm; 4B)

NOTE that the washer should not be mounted if the thickness of the plate is 4 mm or if the disc material is C-276, Duplex 2205 or Alloy 400.

Mounting a Centering Disc on Flexible Lead Probes

The procedure for mounting a centering disc on a flexible lead is described by figure below:

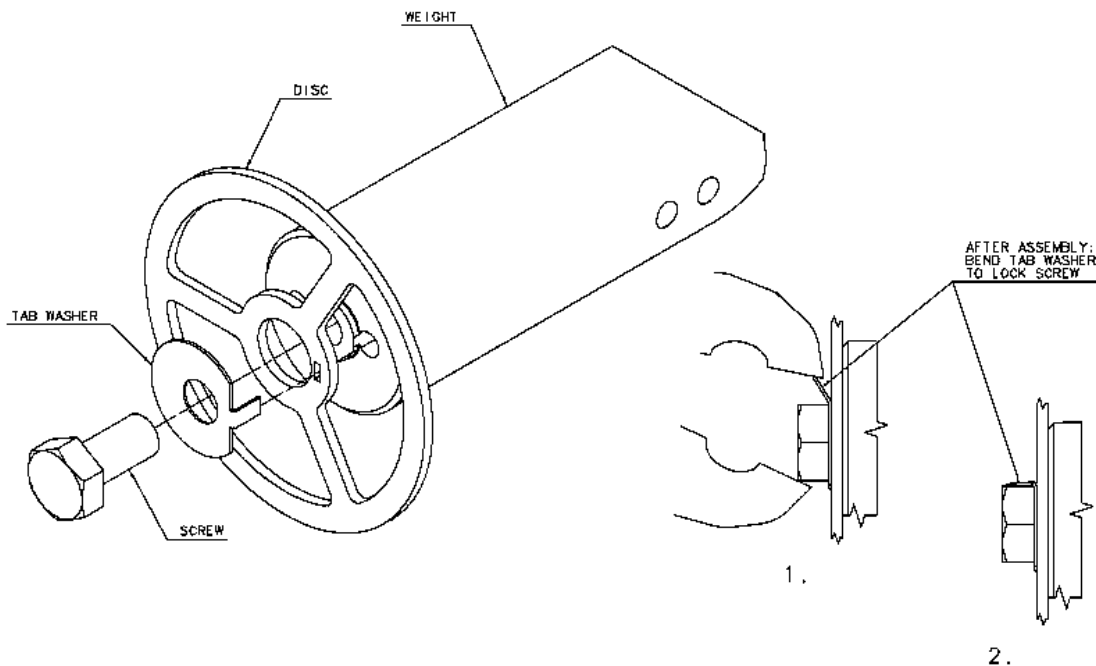


Figure 4 Mounting procedure for centering disc on flexible lead probe