



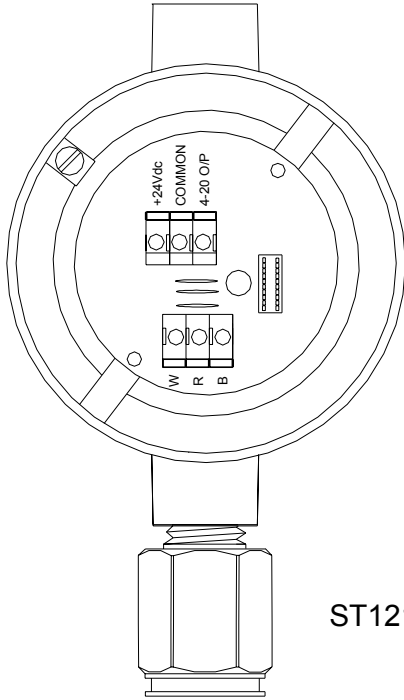
# H2S-100-UPG KIT

ISO 9001:2000



# Controller Identification

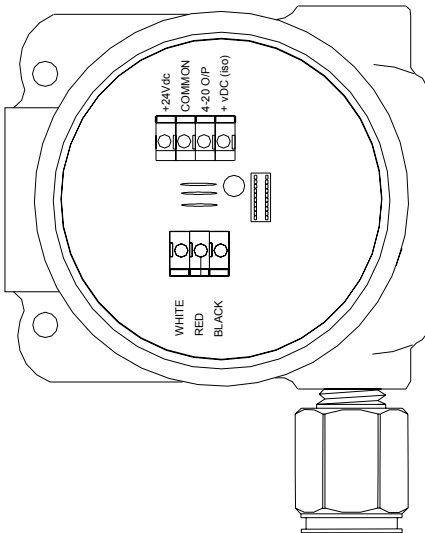
1 Identify which type of controller you have



UNI-TRAN BASIC H2S DETECTOR

ST1210 H2S SENSOR

Go to Page 2



UNI-TRAN STANDARD/PREMIUM H2S DETECTOR

ST1210 H2S SENSOR

Go to Page 4

# UNI-TRAN Modifications

## 2

### UNI-TRAN Basic

Turn off power to the unit.

Disconnect the ST1210 sensor from the enclosure.

Connect the ST1200 sensor into the Basic UNI-TRAN Controller enclosure.

Refer to the wiring diagram on the next page.

Connect the Red sensor wire to the +24Vdc terminal.

Connect the black wire to the Red terminal

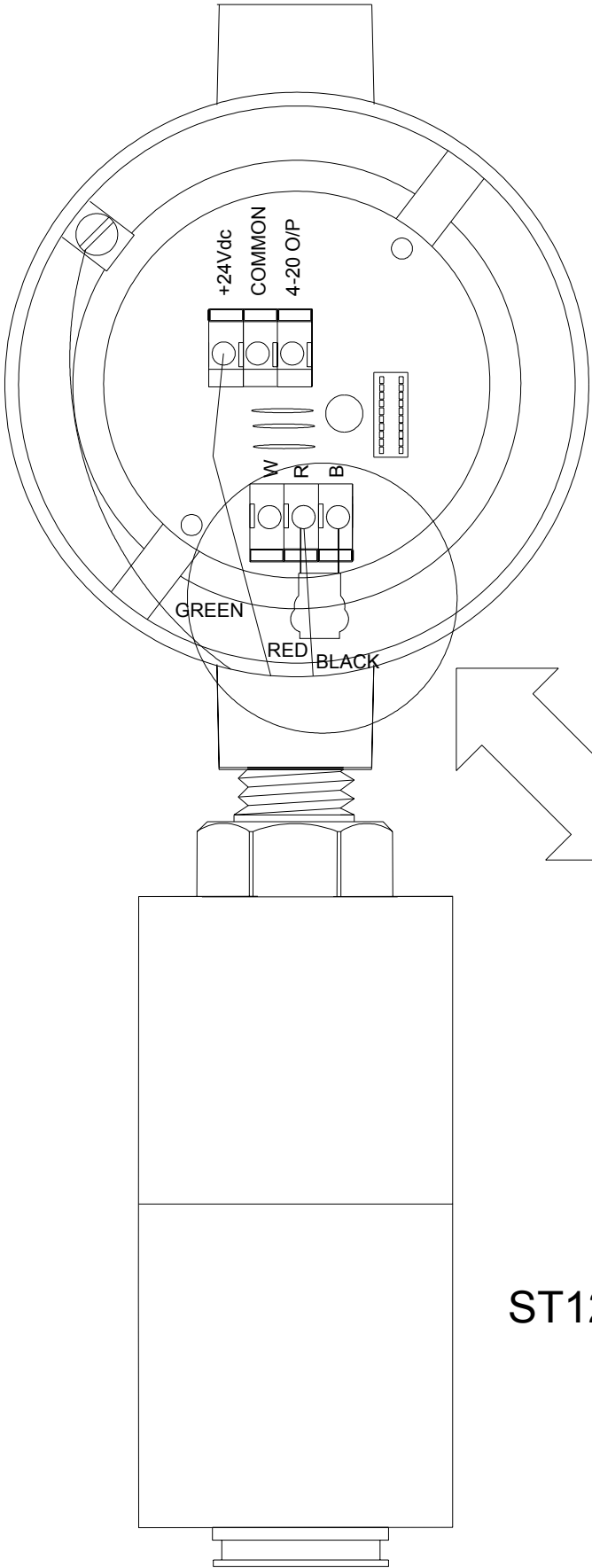
Connect the green wire to the ground lug

Connect resistor package between Black and Red terminal.

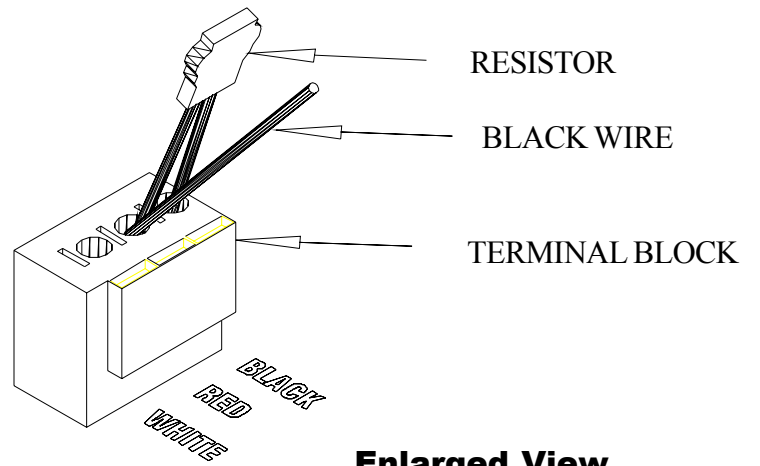
Turn the unit's power on

Calibrate the unit.

# UNI-TRAN Modifications



BASIC UNI-TRAN CONTROLLER



Enlarged View

ST1200 SENSOR

# UNI-TRAN Modifications

## 3

### **UNI-TRAN Standard/Premium**

Turn off power to the unit.

Disconnect the ST1210 sensor from the enclosure.

Connect the ST1200 sensor into the Standard/premium UNI-TRAN Controller enclosure.

Refer to the wiring diagram on the next page.

Connect the Red sensor wire to the +24Vdc terminal.

Connect the black wire to the Red terminal

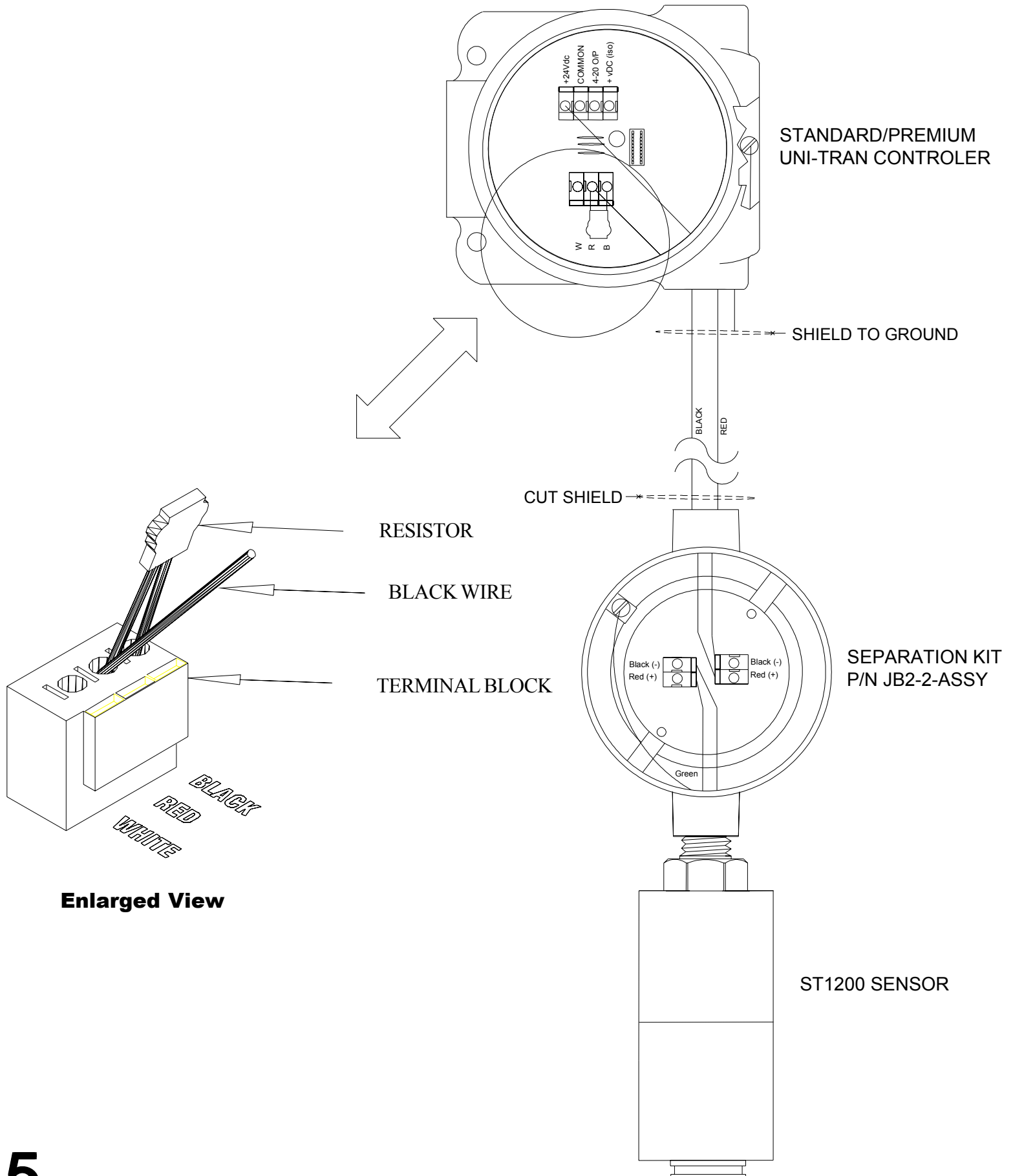
Connect the green wire to the ground lug

Connect resistor package between Black and Red terminal.

Turn the unit's power on..

Calibrate the unit.

# UNI-TRAN Modifications







2721 Hopewell Place NE  
Calgary, Alberta, Canada T1Y 7Y7  
Telephone: (403) 219-0688 Fax: (403) 219-0694  
[www.net-safety.com](http://www.net-safety.com)  
E-mail: [netsafe@net-safety.com](mailto:netsafe@net-safety.com)