

MINIMUM DISTANCE 150 mm REQUIRED BETWEEN ANTENNA FLANGE AND ESTIMATED MAXIMUM LEVEL IN THE TANK, TO ENSURE ACCURATE READINGS.

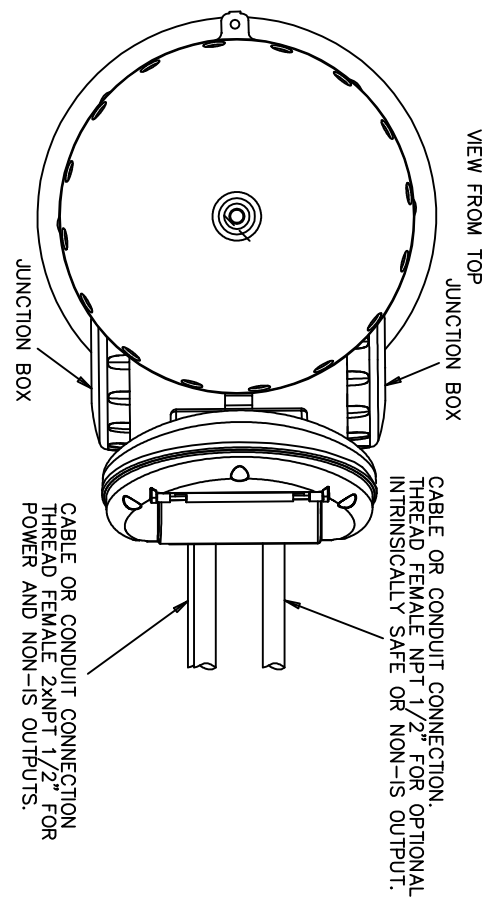


TABLE 1

FLANGE SIZE DN / ANSI	ANTENNA PLATE (06) PIPE FLANGE (07) OD ϕ (mm)
80 / 3"	ϕ 130
100 / 4"	ϕ 154
150 / 6"	ϕ 215
200 / 8"	ϕ 265

① PRESSURE AND TEMP RATING: FOR PRESSURE APPLICATIONS, CALCULATION OF FLANGE THICKNESS HAS TO BE DONE WITH RESPECT TO FLANGE MATERIAL, GASKET TYPE AND BOLTING. MAX ALLOWABLE RATING FOR ANTENNA TANK SEAL ARE DEPENDING ON THE SEAL TYPE AND O-RING SELECTION.

08	GASKET	2	SEE NOTE 1.	CUSTOMER
07	PIPE FLANGE	1	DIMENSIONS, SEE TABLE 1.	RTR
06	ANTENNA PLATE	1	DIMENSIONS, SEE TABLE 1.	RTR
05	BOLTING	1	ACC TO FLANGE STD	CUSTOMER
04	FLANGE WITH CENTRE HOLE ϕ 34±0.3mm. THICKNESS: Max 42mm	1	FLANGE DIMENSIONS ACC TO: EN1092-1 DN80-DN200, ANSI B16.5, 3"-8" P/T RATING, SEE NOTE 1.	CUSTOMER
03	STAND PIPE FLANGE	1		
02	STAND PIPE	1		CUSTOMER
01	STILL PIPE	1	ϕ 60.3x2. SEE SHEET 2.	CUSTOMER
POS	ITEM DESCRIPTION	QTY	REMARK	SUPPLIER

ISSUED BY: GU-HF
 APPROVED BY: GST-TK
 WEEK: 0301
 ORIGINAL DWG NO.: 9150074-914

PRODUCT CODE: PRO/5600
 IDEAS/ACAD SCALE: -

MECHANICAL INSTALLATION DWG
 PRO/5600, STILL PIPE

1 ST ANGLE
 DOC TYPE: 2
 DWG NO.: 9150074-914
 ISSUE SHEET: 4 / 2

ROSEMOUNT

THE COPYRIGHT/OWNERSHIP OF THIS DOCUMENT IS AND WILL REMAIN CONTRAVENTION WILL BE PROSECUTED. ROSEMOUNT TANK RADAR AB, SWEDEN.