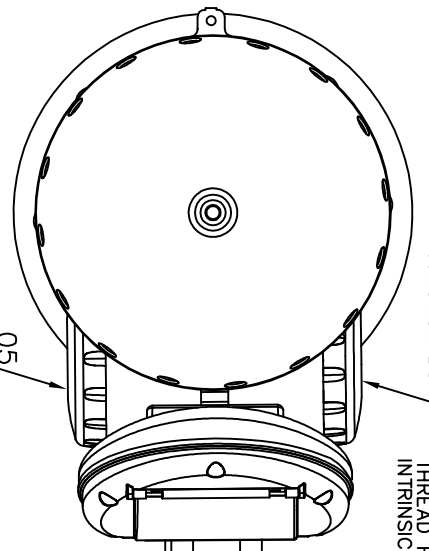


FREE SPACE REQUIREMENT Ø550 mm FOR INSTALLATION AND SERVICE



VIEW FROM TOP

CABLE OR CONDUIT CONNECTION, THREAD FEMALE NPT 1/2" FOR OPTIONAL INTRINSICALLY SAFE OR NON-IS OUTPUT.

CABLE OR CONDUIT CONNECTION, THREAD FEMALE 2xNPT 1/2" FOR POWER AND NON-IS OUTPUTS.

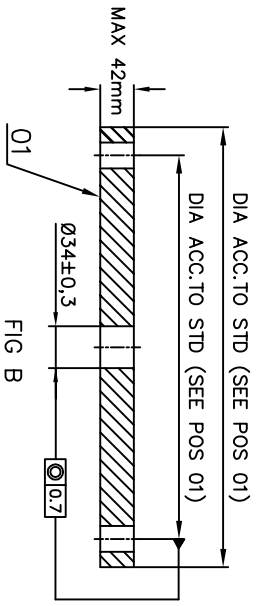


TABLE A

PIPE SIZE	PIPE ID (mm) MAX-MIN	ANTENNA DIA	ANTENNA DIM. HEIGHT (mm)
5" SCH 10-60	Ø134,5-Ø125,3	120.2	56
6" SCH 10-60	Ø161,5-Ø150,3	145.2	59
8" SCH 20-80	Ø206,3-193,7	189	64.7
10" SCH 10-60	Ø264,7-247,7	243	72.5
12" SCH 10-40-XS	Ø314,7-298,5	293.5	79

06	GROUND CONNECTION (TO BE USED ACCORDING TO NATIONAL CODE OF PRACTISE)	RTR	
05	INTEGRATED JUNCTION BOX	RTR (OPTION JBI)	
04	GASKET, SOFT TYPE	CUSTOMER	
03	BOLTING ACC. TO FLANGE STD IN POS 01	CUSTOMER	
02	STANDARD PIPE FLANGE ACC. TO POS 01	CUSTOMER	
01	FLANGE WITH CENTRE HOLE ACC. TO FIG.B. DIMENSIONS ACC. TO ANSI B16.5 5"-12" 150# OR EN1092-1: DN150 PN16, DN200 PN10, DN250 PN16.	RTR/CUSTOMER	
POS	ITEM DESCRIPTION	SUPPLIER	
ISSUED BY	WEEK	PRODUCT CODE	TITLE
GU-TKA	0418	PRO	ACAD
APPROVED BY	WEEK	ORIGINAL DWG NO.	SCALE
GU-HF	0418	9150 070-944	PRO FIXED
ISSUED BY	WEEK	DOC TYPE	DWG NO.
	2		9150 070-944
MECHANICAL INSTALLATION DWG			
STILL-PIPE ARRAY ANTENNA			
ROSEMOUNT			
Tank Gauging			
1/1	2	9150 070-944	1/1

ROSEMOUNT
Tank Gauging

1 ST ANGLE
THE COMPANY ASSUMES NO RESPONSIBILITY FOR THE USER'S USE OF THIS DOCUMENT. THE USER'S USE OF THIS DOCUMENT IS AT THE USER'S SOLE RISK. THE COMPANY ASSUMES NO RESPONSIBILITY FOR THE USER'S USE OF THIS DOCUMENT. THE USER'S USE OF THIS DOCUMENT IS AT THE USER'S SOLE RISK.