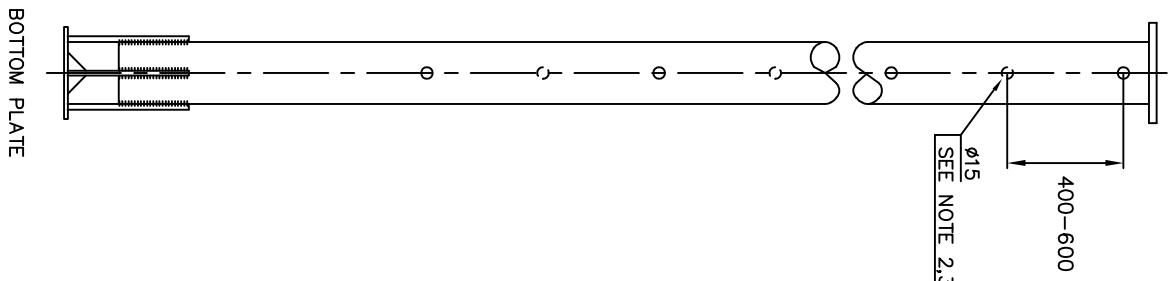
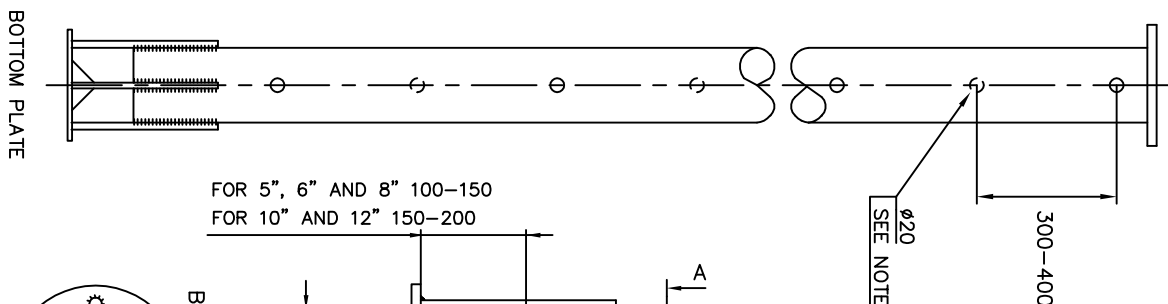


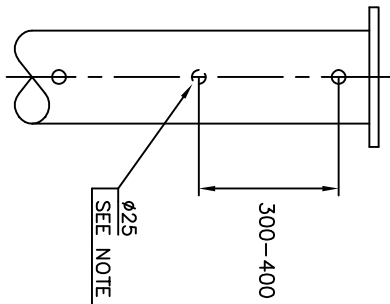
5" SCH 10-60



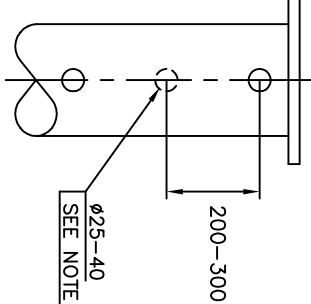
6" SCH 10-60



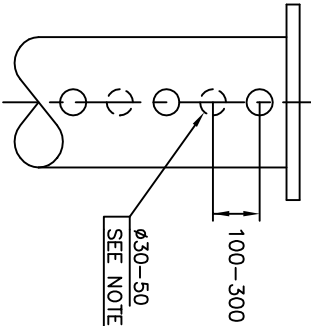
8" SCH 20-80



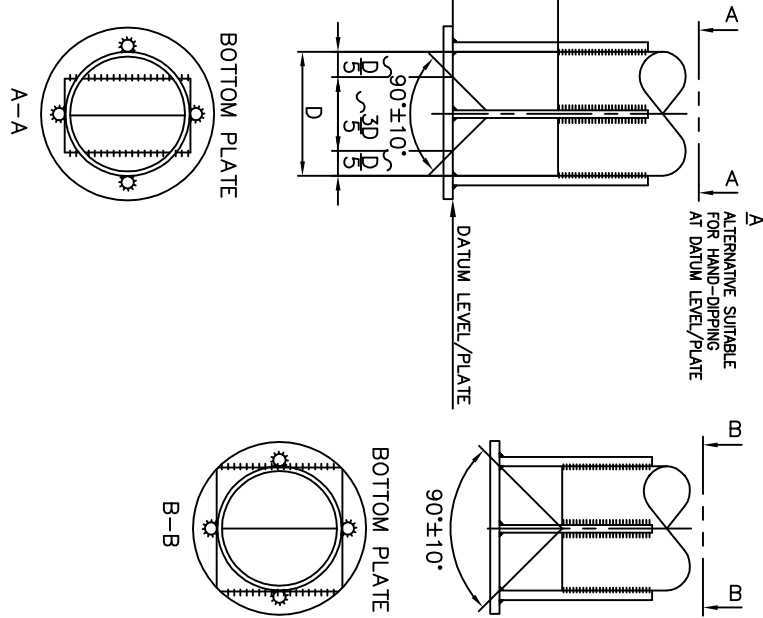
10" SCH 10-60



12" SCH 10-40-XS



FOR 5", 6" AND 8" 100-150
FOR 10" AND 12" 150-200



A
ALTERNATIVE SUITABLE FOR HAND-DIPPING AT DATUM LEVEL/PLATE

B
ALTERNATIVE BOTTOM PLATE WHEN MEASURING AT VERY LOW LEVELS, CLOSE TO THE PIPE END. (NO DATUM LEVEL/PLATE)

FLANGES

- SLIP-ON FLANGES
- 5" ANSI CLASS 150
DN 125 PN 16 DIN 2501
- 6" ANSI CLASS 150
DN 150 PN 16 DIN 2501
- 8" ANSI CLASS 150
DN 200 PN 10 DIN 2501
- 10" ANSI CLASS 150
DN 200 PN 16 DIN 2501
- 12" ANSI CLASS 150
DN 300 PN 16 DIN 2501

NOTE 1: REINFORCEMENT OF WELDING CAN NOT BE ACCEPTED INSIDE THE STILL PIPE.

NOTE 2: INTERNAL SURFACE OF PIPE AFTER DRILLING OF HOLES TO BE SMOOTH AND FREE FROM BURRS.

NOTE 3: EVERY HOLE TURNED 180°.

ISSUED BY	WEEK	PRODUCT CODE	TITLE	INSTALLATION DRAWING TITLE
GU-TKA	0422	REX	ACAD	RECOMMENDED STILL PIPES
APPROVED BY	WEEK	ORIGINAL DWG NO.	SCALE	FOR RTG 3950
GU-HF	0422	9150070-946	1:1	
ROSEMOUNT		1 ST ANGLE	DOC TYPE	DWG NO.
Tank Gauging			2	9150070-946
				ISSUE SHEET
				2 1/1

THE DESIGNER/CONTRACTOR OF THIS DOCUMENT IS AND WILL REMAIN OWNER OF THE COPYRIGHT THEREIN. NO PART OF THIS DOCUMENT MAY BE REPRODUCED OR TRANSMITTED IN ANY FORM OR BY ANY MEANS, ELECTRONIC OR MECHANICAL, INCLUDING PHOTOCOPYING, RECORDING, OR BY ANY INFORMATION STORAGE AND RETRIEVAL SYSTEM, WITHOUT OUR AUTHORIZATION OR SUBJECT TO THE KNOWLEDGE OF A THIRD PARTY. COMMUNICATION WILL BE PROSECUTED. ROSEMOUNT TANK GAUGING AB, SWEDEN.