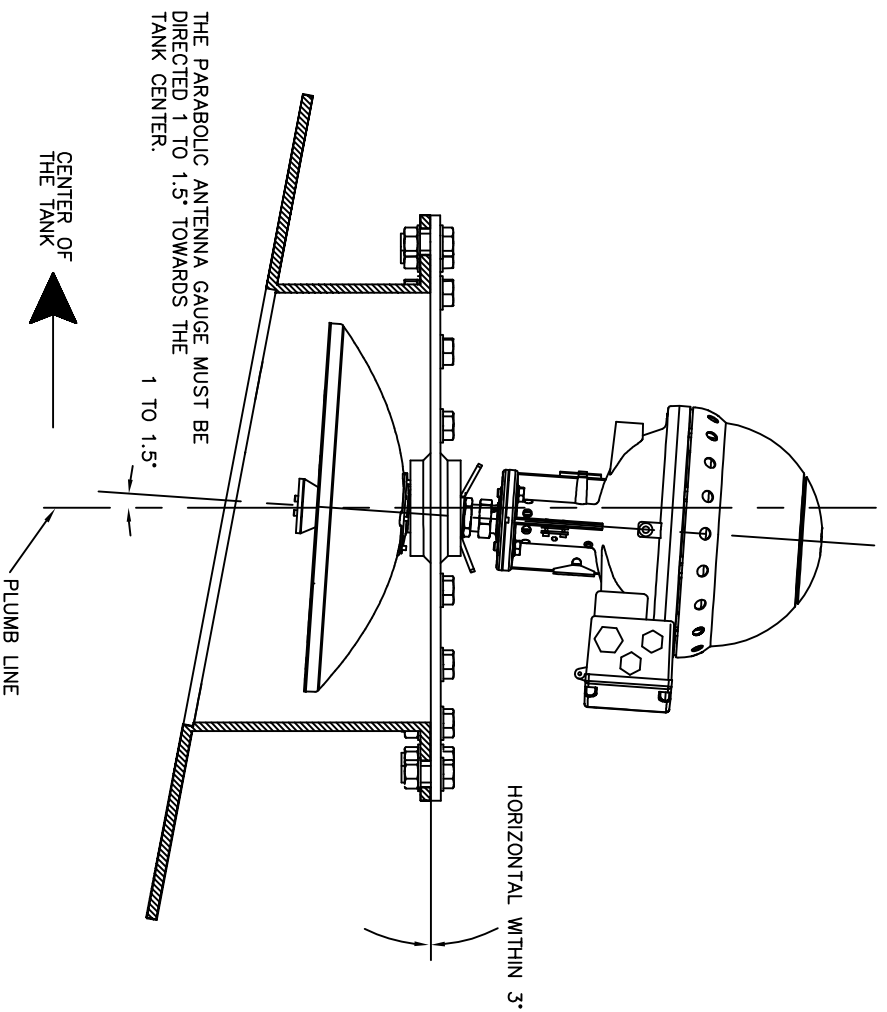
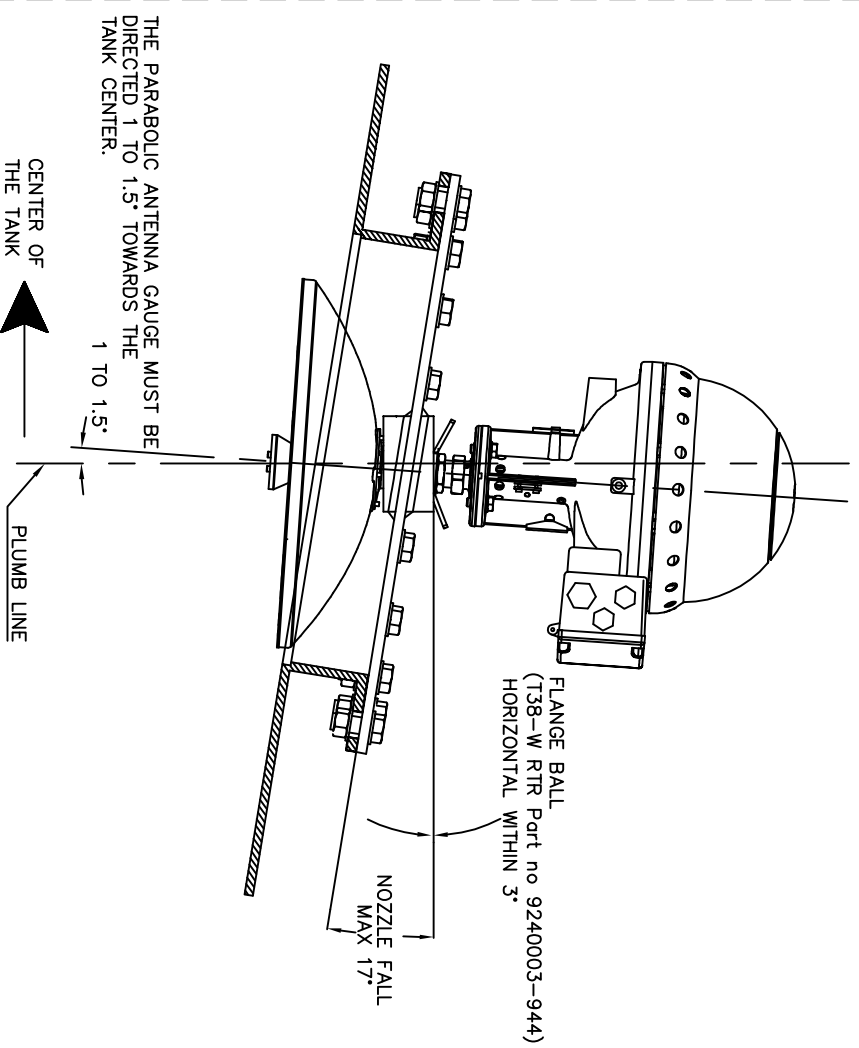


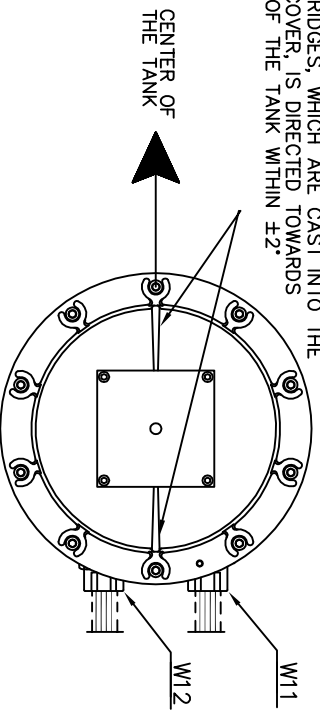
HORIZONTAL NOZZLE



NOZZLE WITH FALL



THE RADAR UNIT MUST BE DIRECTED SO THAT ONE OF THE RIDGES, WHICH ARE CAST INTO THE ENCLOSURE COVER, IS DIRECTED TOWARDS THE CENTER OF THE TANK WITHIN  $\pm 2^\circ$ .



VIEW WITHOUT WEATHER PROTECTION

# Product Discontinued

ISSUED BY	WEK	PRODUCT CODE	TITLE
GU-HF	0011	REX	ACAD
APPROVED BY	WEK	ORIGINAL DWG NO.	SCALE
GU-LN	0011	9150 072-982	1:5
			DOC TYPE
			2
			DWG NO.
			9150 072-982
			ISSUE
			3
			SHEET
			2/2

**ROSEMOUNT**  
Tank Gauging

INSTALLATION DRAWING TITLE  
PARABOLIC ANTENNA GAUGE

RTG 3930 (P440)

1/ST ANGLE

THE COMPANY ASSUMES NO RESPONSIBILITY FOR THE ACCURACY OF THIS DOCUMENT. IT IS THE USER'S RESPONSIBILITY TO VERIFY THE INFORMATION CONTAINED HEREIN. THE COMPANY ASSUMES NO RESPONSIBILITY FOR THE ACCURACY OF THIS DOCUMENT. IT IS THE USER'S RESPONSIBILITY TO VERIFY THE INFORMATION CONTAINED HEREIN. THE COMPANY ASSUMES NO RESPONSIBILITY FOR THE ACCURACY OF THIS DOCUMENT. IT IS THE USER'S RESPONSIBILITY TO VERIFY THE INFORMATION CONTAINED HEREIN.