

Product Discontinued

TABLE A

PIPE SIZE	PIPE ID (mm) MAX-MIN	ANTENNA DIM (mm) DIA	ANTENNA DIM (mm) HEIGHT
5" SCH 10-60	Ø134,5-Ø125,3	120.2	56
6" SCH 10-60	Ø161,5-Ø150,3	145.2	59
8" SCH 20-80	Ø206,3-193,7	189	64.7
10" SCH 10-60	Ø264,7-247,7	243	72.5
12" SCH 10-40-XS	Ø314,7-298,5	293.5	79

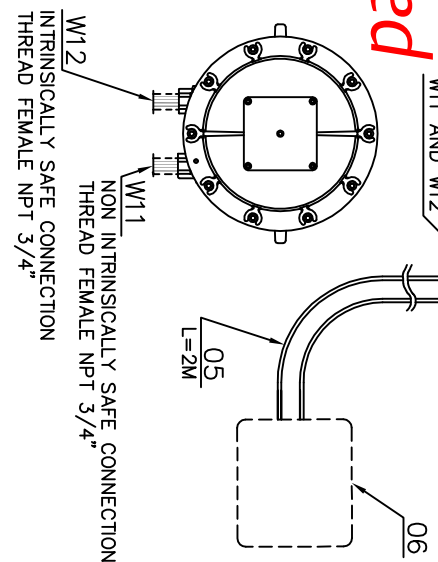
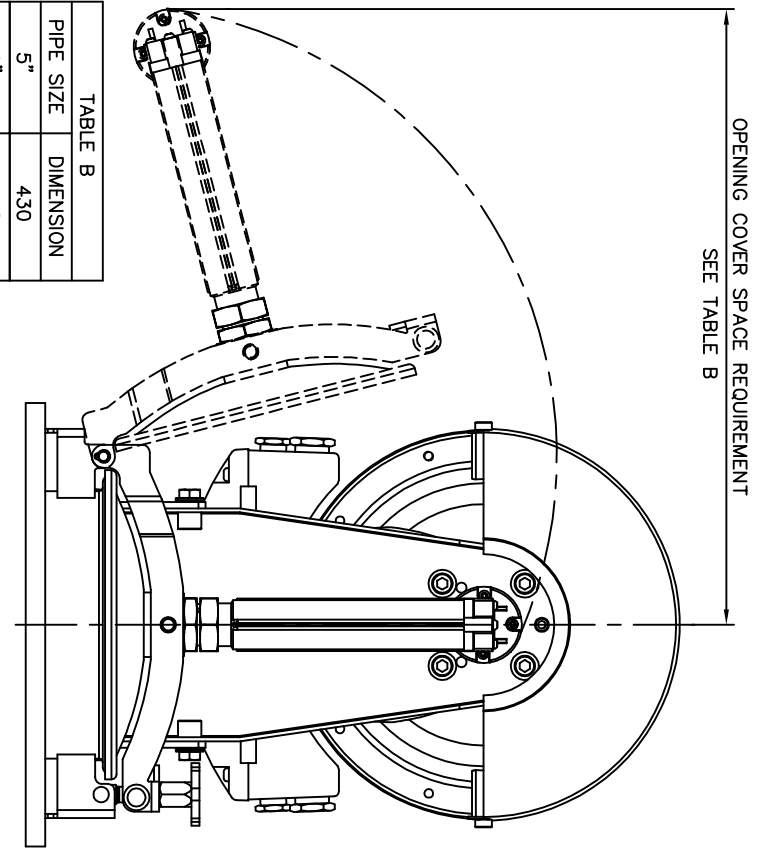


TABLE B

PIPE SIZE	DIMENSION
5"	430
6"	448
8"	480
10"	518
12"	545



08	GROUND CONNECTION (TO BE USED ACCORDING TO NATIONAL CODE OF PRACTISE)	RTR		
07	INTEGRATED JUNCTION BOX	RTR (OPTION JB1)		
06	Exp. Exi OR EXPLOSION PROOF JUNCTION BOX DEPENDING ON NATIONAL CODE OF PRACTISE	CUSTOMER (RTR OPTION)		
05	CABLE PROTECTION HOSE OR EXPLOSION PROOF CONDUIT DEPENDING ON NATIONAL CODE OF PRACTISE	CUSTOMER (RTR OPTION HOSE KIT)		
04	GASKET, SOFT TYPE	CUSTOMER		
03	BOLTING ACC.TO FLANGE STD. IN POS 01	CUSTOMER		
02	STANDARD PIPE FLANGE ACC.TO POS 01	CUSTOMER		
01	INCLINED INSTALLATION DEVICE CONTAINING FLANGE ACC.TO ANSI B16.5 5"-12" 150# OR EN1092-1: DN150 PN16, DN200 PN10, DN250 PN16	RTR		
POS	ITEM DESCRIPTION	SUPPLIER		
ISSUED BY	WEEK	PRODUCT CODE	FILE	INSTALLATION DRAWING TITLE
GU-TKA	0403	REX	ACAD	MECHANICAL INSTALLATION DWG
APPROVED BY	WEEK	ORIGINAL DWG NO.	SCALE	STILL-PIPE ARRAY ANTENNA
GU-JW	0403	9150070-943	RTG 3950 INCLINED	
1 ST ANGLE	DOC TYPE	DWG NO.	ISSUE	SHEET
2	2	9150070-943	2	1/1

FOR MORE INFO. SEE
Rosemount TankRadar Rex
INSTALLATION MANUAL

ROSEMOUNT
Tank Gauging

THE ROSEMOUNT CORPORATION OR ITS ROSEMOUNT S.A. DIV. WILL BE RESPONSIBLE FOR THE ROSEMOUNT TANK GAUGING SYSTEMS ONLY. WITHOUT OUR AUTHORIZATION OR CONSENT TO THE KNOWLEDGE OF A THIRD PARTY, COMMUNICATION WILL BE PROSECUTED. ROSEMOUNT TANK GAUGING AB, SWEDEN.