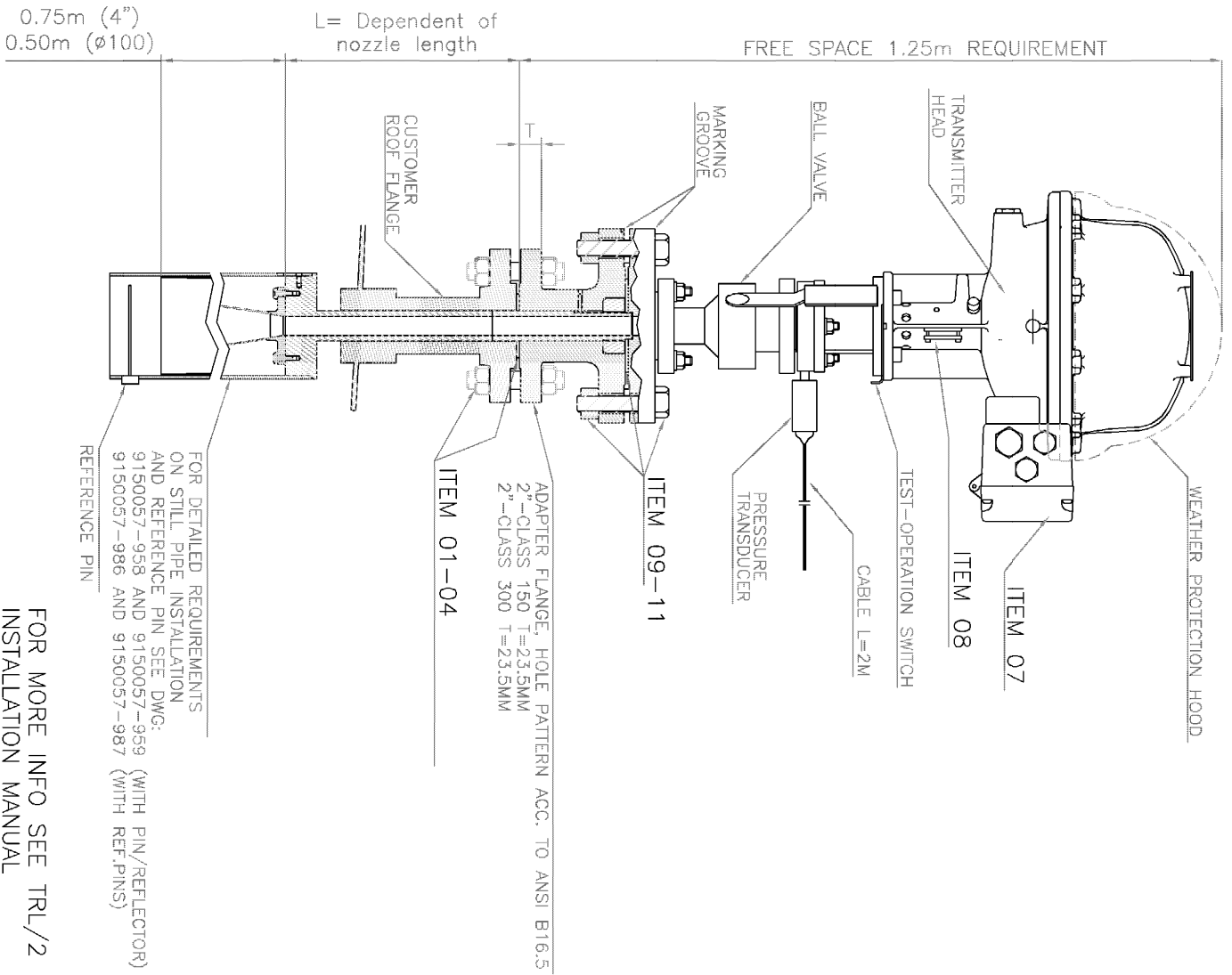
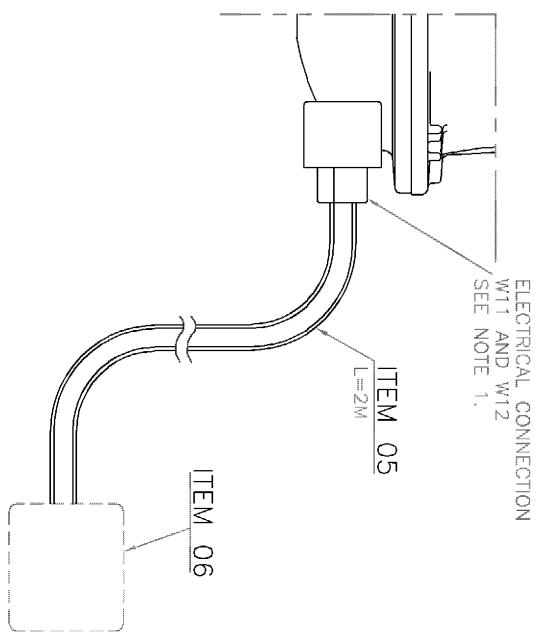


Product Discontinued



FOR MORE INFO SEE TRL/2 INSTALLATION MANUAL



- ① ELECTRICAL CONNECTION IN TRANSMITTER HEAD:
W11: NON-INTRINSICALLY SAFE CONNECTION CONDUIT THREAD: FEMALE NPT 3/4"
W12: INTRINSICALLY SAFE CONNECTION

| | | |
|------------------|---|-------------------------------|
| 11 | SCREW UNC 3/4" L=3.5" | SR |
| 10 | NUT UNC 3/4" | SR |
| 09 | GASKET | SR |
| 08 | GROUND CONNECTION (TO BE USED ACCORDING TO NATIONAL CODE OF PRACTISE) | SR |
| 07 | INTEGRATED JUNCTION BOX | SR (OPTION JBI) |
| 06 | Exp. EXI OR EXPLOSION PROOF JUNCTION BOX DEPENDING ON NATIONAL CODE OF PRACTISE | CUSTOMER (SR OPTION) |
| 05 | CABLE PROTECTION HOSE OR EXPLOSION PROOF CONDUIT DEPENDING ON NATIONAL CODE OF PRACTISE | CUSTOMER (SR OPTION HOSE KIT) |
| 04 | GASKET, SOFT OR METALLIC TYPE (1ø/1b) | CUSTOMER |
| 01-03 | STUD BOLT/WASHER ACC TO FLANGE STD | CUSTOMER |
| ITEM DESCRIPTION | | |
| ISSUED BY | MECH | PRODUCT CODE |
| GU-TK-JS | 0433 | REX |
| APPROVED BY | MECH | ORIGINAL DWG NO. |
| GU-HF | 0434 | 9240007-903 |
| 1 ST ANGLE | ACAD | SCALE |
| | | 1:5 |
| DOC TYPE | INSTALLATION DRAWING TITLE | DWG NO. |
| 2 | INST, DWG, MECH | 9240007-903 |
| RTG | 3960, 2" CONNECTION | |
| ISSUE | | SHEET |
| 01 | | 01/01 |

SAAB ROSEMOUNT

THE COPYRIGHT/OWNERSHIP OF THIS DOCUMENT IS AND WILL REMAIN OURS. THE DOCUMENT MUST NOT BE USED WITHOUT OUR AUTHORIZATION OR BROUGHT TO THE KNOWLEDGE OF A THIRD PARTY. CONTRAVENTION WILL BE PROSECUTED. SAAB ROSEMOUNT TANK RADAR AB.