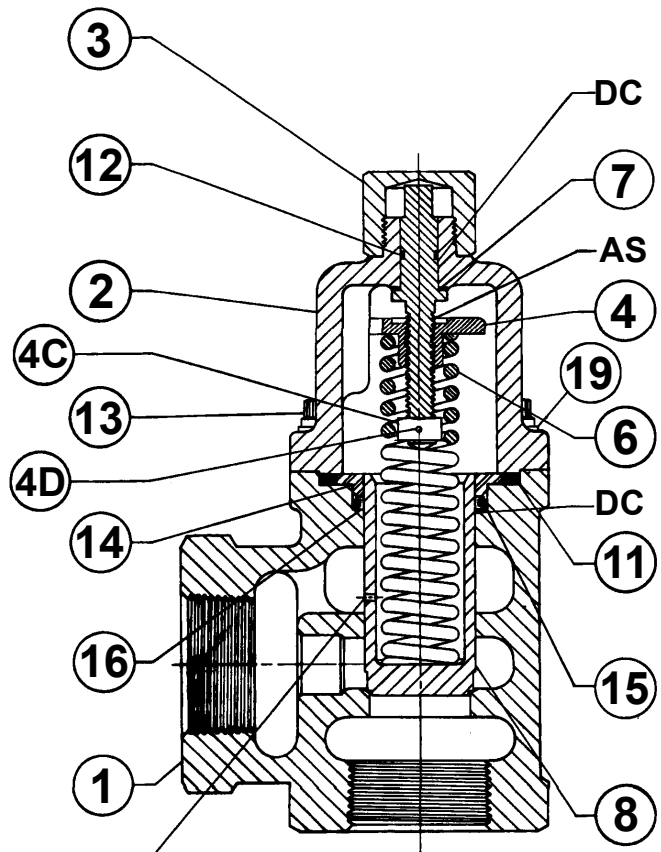


Types N100, N100A, & N110 Bypass Valves and Type N120 Back Pressure Valve

Parts List

Key	Description	Part Number	
1	Body 1-inch NPT 1 1/4-inch NPT 1 1/2-inch NPT 2-inch NPT 2 1/2-inch NPT	2P384419232 2P383219172 2P382719232 3R195119232 3R195219232	
		N100A	N100
		1 thru	2 and
	Body Size	1 1/2-Inches	2 1/2-Inches
2	Spring Case	1P382819172	2R195419272
3	Closing Cap	1P382947062	1P360809022
4	Spring Adjuster Assembly Includes keys 4A, 4B, 4C, and 4D	1P3837000A2	1R1963000A2
6	Adjusting Screw Gasket 25-75 PSI Range 50-150 PSI Range	1P384137022 1P383838992	1R195537022 1R1956T0012
7*	Adjusting Screw Gasket	1P383006162	1P417928992
8	Inner Valve	T1157735032	1R195746172
9	Drive Screw (2 required)	1A368228982	1A368228982
10	Nameplate	Not Orderable	
11*	O-Ring	T12942T0012	1R195806992
12*	O-Ring	T12946T0012	T12945T0012
13	Screw (4 required)	1V1542X0012	T12724T0012
14	Washer	1P383935132	1R196035012
15*	O-Ring	T12947T0012	T12941T0012
16*	Cap Seal	1P384306442	1R196206442
17	Pipe Plug	T13718T0012	T13718T0012
18	Instruction Tag	T1007606992	
19	Lock Washer (4 required)	1C225728982	1A505628982
20	Instruction Manual	D450001T012	

* Recommended Spare Part



BP3845

INSTALL OPENING
IN POSITION SHOWN
(GREASE MUST NOT FILL HOLE)

PARTS NOT SHOWN 9, 10

DC - USE DOW CORNING NO.3 GREASE
AS - USE ANTI-SEIZE ON THREADS

Figure 1. Type N100 Bypass Valve

Types N100, N100A, & N110

Parts List

Key	Description	Part Number
1	Body	
	3/4-inch NPT	T1058019232
	1-inch NPT	T1058419232
2	Valve Guide Orifice	T20819T0012
3	Valve Plug	
	Type N110	T1058135022
	Type N120	T1069235032
4	Diaphragm	1E621702052
5	Diaphragm Head	T1057809012
6	Nut	T1059325552
7	Spring Case	T1057519232
8	Spring	
	25-75 PSI	T1057737082
	50-150 PSI	T1057637082
	Set 12 PSI (N120 only)	T1069737022
9	Spring Adjustment Assembly (includes Keys 9A, 9B, 9C & 9D)	
	Type N110	T10579000A2
	Type N120	T10699000A2
10	O-Ring	
	Type N110	T12946T0012
	Type N120	T1069606562
11	Union Nut	1E471119062
12	Seal Cap	
	Type N110	1P382947062
	Type N120	T1069347062
13	Washer	1P383006162
14	Pipe Plug	T13718T0012
15	Instruction Tag	T1007606992
16	O-Ring (N120 Only)	1K314806992
17	O-Ring (N120 Only)	T12945T0012
18	O-Ring Washer (N120 Only)	1D335935072
19	Machine Screw (N120 Only)	16A0429X012
20	Instruction Manual	D450001T012

LP-Gas Equipment

Emerson Process Management Regulator Technologies, Inc.

USA - Headquarters
 McKinney, Texas 75069-1872 USA
 Telephone: 1 (800) 558-5853
 Telephone: 1 (972) 548-3574

For further information visit www.fisherregulators.com/lp

The Emerson logo is a trademark and service mark of Emerson Electric Co. All other marks are the property of their prospective owners. Fisher is a mark owned by Fisher Controls, Inc., a business of Emerson Process Management.

The contents of this publication are presented for informational purposes only, and while every effort has been made to ensure their accuracy, they are not to be construed as warranties or guarantees, express or implied, regarding the products or services described herein or their use or applicability. We reserve the right to modify or improve the designs or specifications of such products at any time without notice.

Emerson Process Management does not assume responsibility for the selection, use or maintenance of any product. Responsibility for proper selection, use and maintenance of any Emerson Process Management product remains solely with the purchaser.

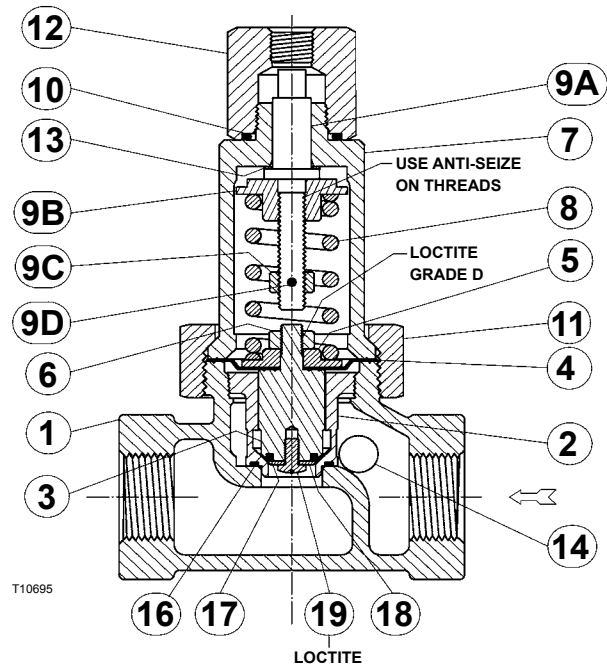


Figure 2. Type N120 Back Pressure Valve

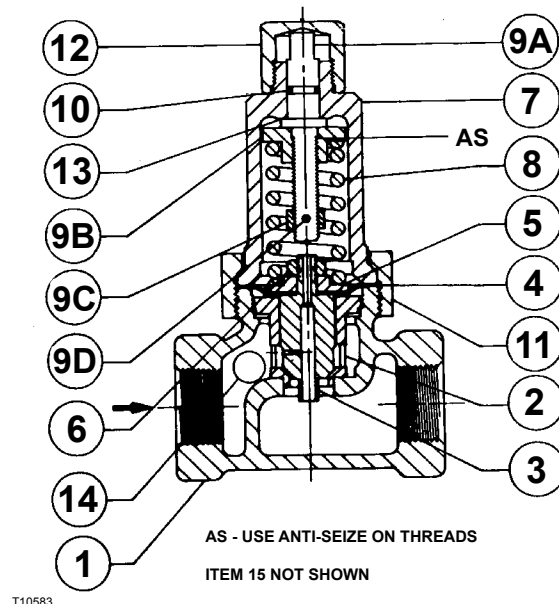


Figure 3. Type N110 Bypass Valve