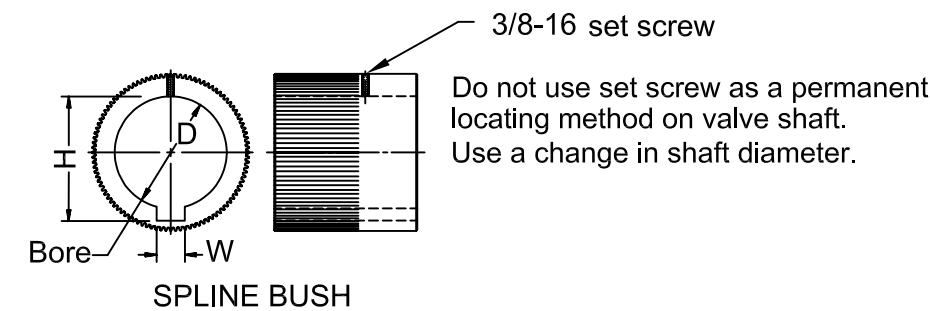
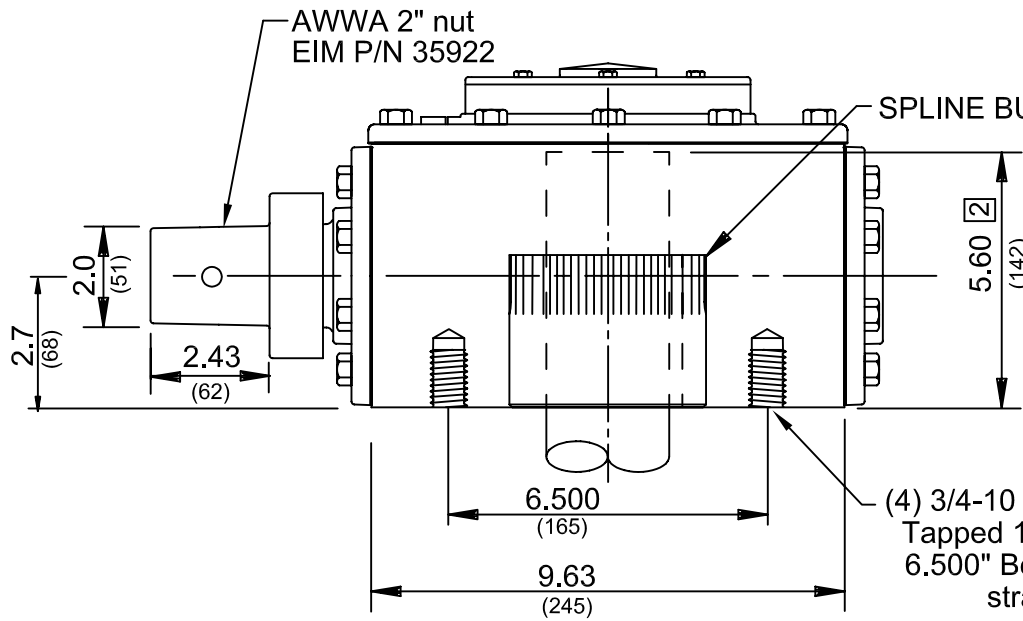
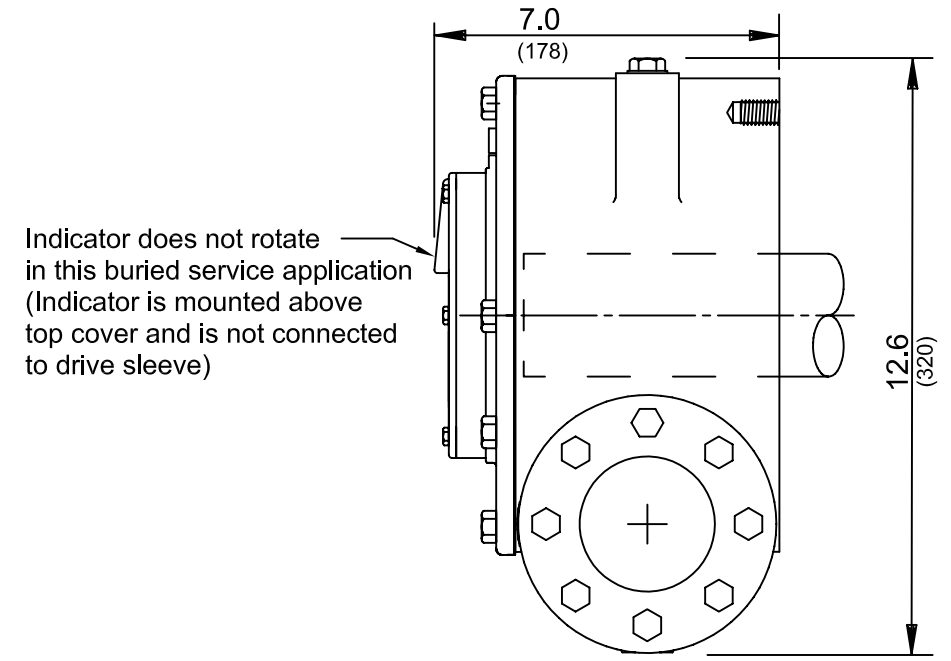
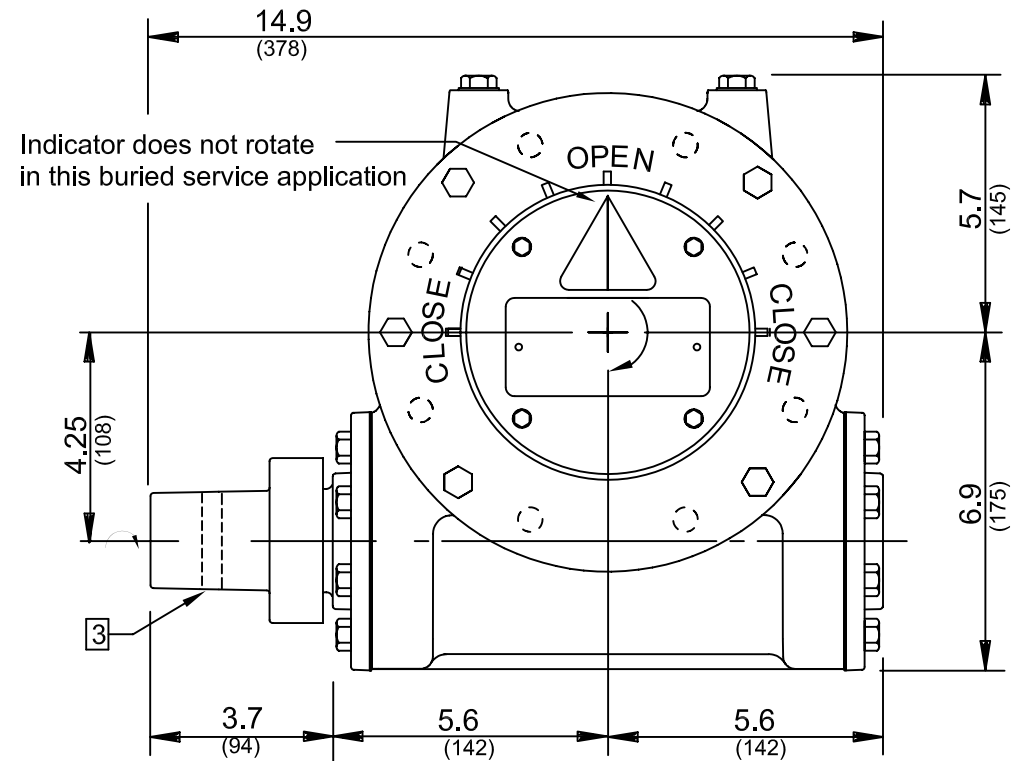


FOR REFERENCE ONLY - DRAWING NOT TO SCALE



- 1 Spline Bush: Removable from the bottom of actuator. Refer to EIM Job Spec sheet for Bushing furnished for specific application.
- 2 Maximum Valve Stem Length
- 3 Stainless Steel Pin 3/8 X 2.00 EIM P/N 4043002073

Special Note: Industry standards for manual actuators generally require Clockwise (CW) rotation of handwheel to close valve with Clockwise (CW) rotation of valve shaft. EIM Model WB20-B has CW rotation of actuator input shaft for CW rotation of valve input shaft.

INCHES .XXX ± .005"
 (MILLIMETERS) .XX ± .020"
 .X APPROX.

EIM COMPANY, INC.
 13840 PIKE ROAD
 CONTROLS MISSOURI CITY, TX 77489

B	7/1/04	13801	CML
A	3/11/98		CML
REV	DATE	ERO	BY

WB20-B 6.50"
OUTLINE NO.: 72393-B