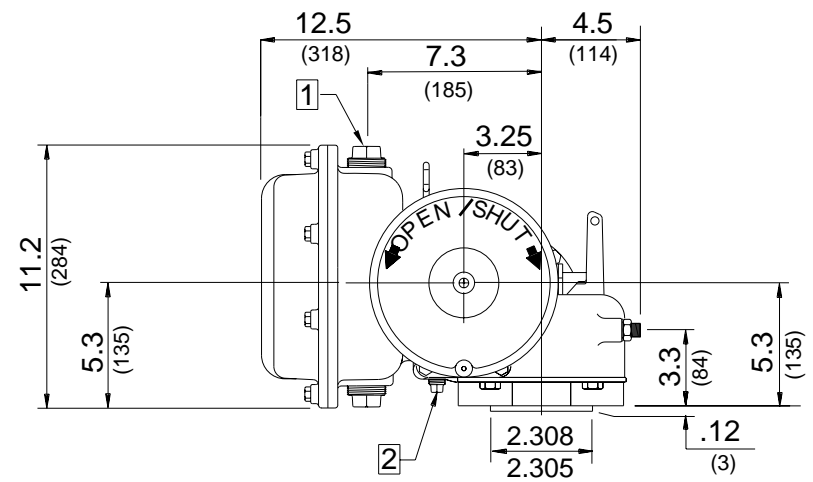
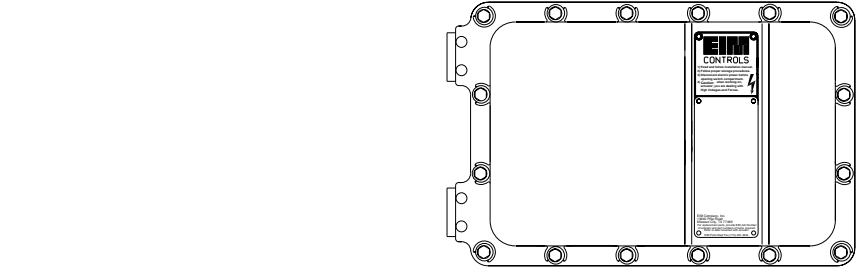
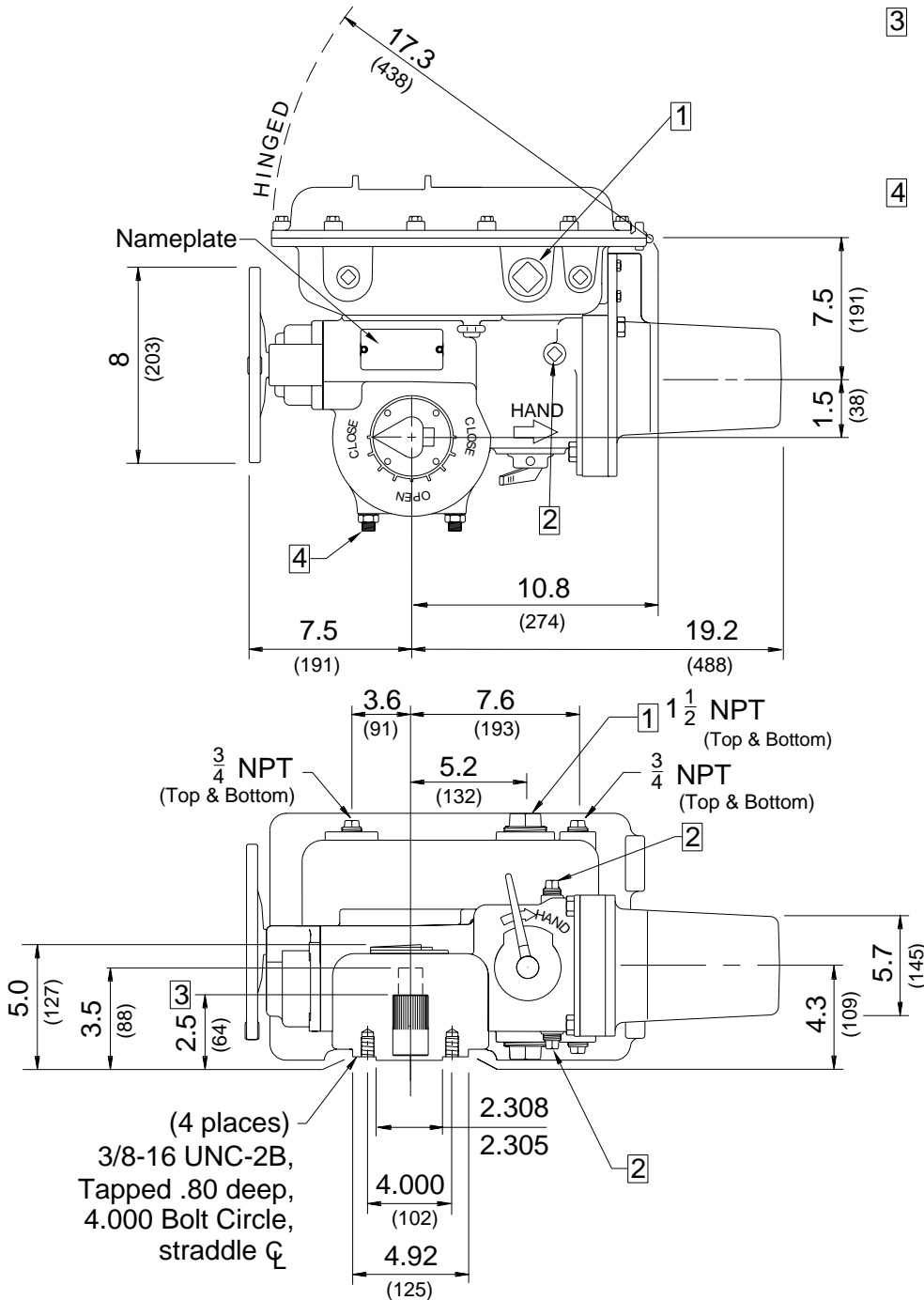
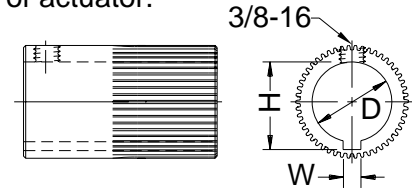


FOR REFERENCE ONLY - DRAWING IS NOT TO SCALE

- 1 1 1/2 NPT is preferred wire entry top or bottom.
- 2 Lubrication 1/2 -14 NPT plugs.
- 3 Spline Bush: Removable from the bottom of actuator. Refer to EIM Job Spec Sheet for Bushing furnished for specific application.
- 4 Adjustable mechanical stops: 90° ± 8°



INCHES .XXX ± .005"  
(MILLIMETERS) .XX ± .020"  
.X APPROX.

**EIM** EIM COMPANY, INC.  
13840 PIKE ROAD  
CONTROLS MISSOURI CITY, TX 77489

TITLE **P 1/4 TURN 4.00"**

C	7/15/99		LE/CL
REV	DATE	ERO	BY

OUTLINE NO. **P-0003/10G** C