

Subject to change without notice

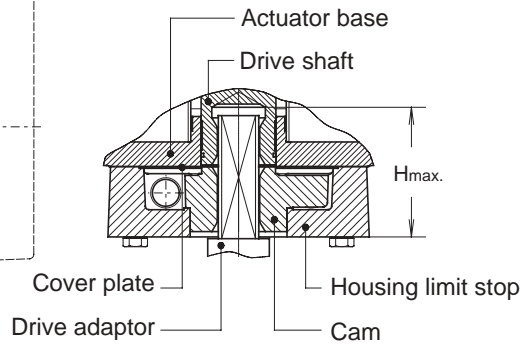
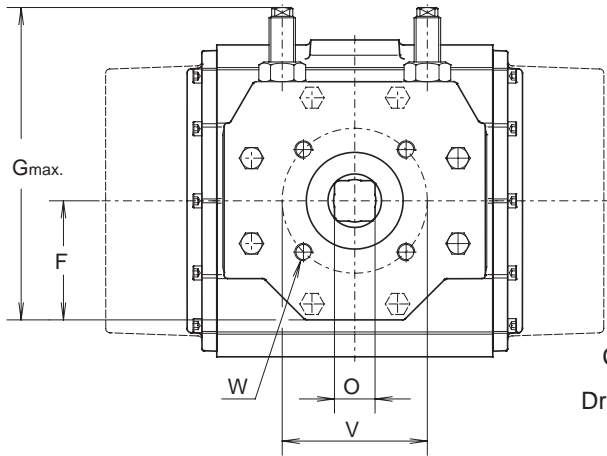
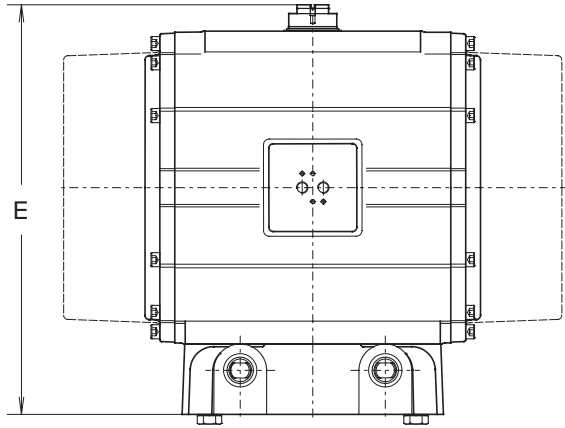
VALVE AUTOMATION  
SYSTEMS

ELCO-MATIC<sup>®</sup>  
w w w . e l c o - m a t i c . c o m

All rights reserved

Nr.: A 1.501.03

Date: March '06



**Description:**

These limit stop plates are used when precise control is required for both end of stroke positions.

It is possible to adjust 15° of both end of the standard stroke.

**Construction:**

The complete stop plate assembly may be added to the 90° P-series actuator. The assembly is normally sandwiched between the actuator and mounting surface of the valve or bracket. Bearing rings are used at both surfaces to provide a long life expectancy.

The unit is assembled with a drive adaptor which passes through the stop plate, into the square actuator and provides the coupling between the two components.

This drive adaptor normally also accommodates the coupling of the valve stem.

**Identification:**

"LS420" is added to the basic part number i.e. PD2500-LS420

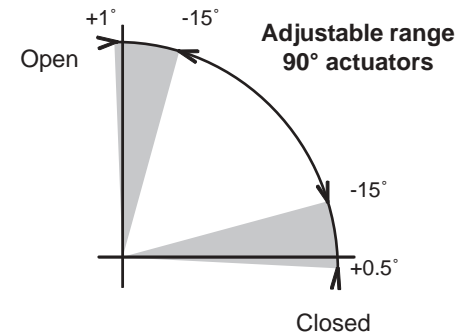
**Other dimensions:**

See data sheet A 1.103.xxx

**Option:**

Version for 180° or DIN-standard actuator

Dim. in inches	ACTUATOR TYPE	
	P2500	P4000
E	18.3	19.3
F	5.3	5.3
G	12.7	12.7
H	5.1	5.6
O	1.8	2.2



LIMIT STOP PLATE DIMENSIONS

LS420